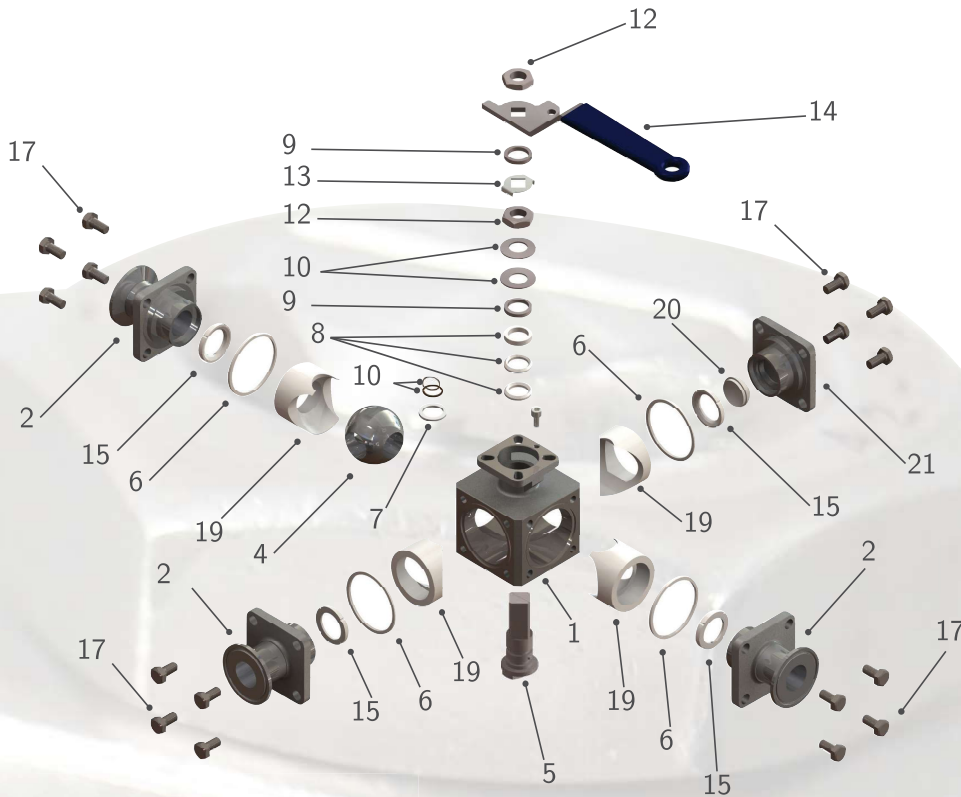
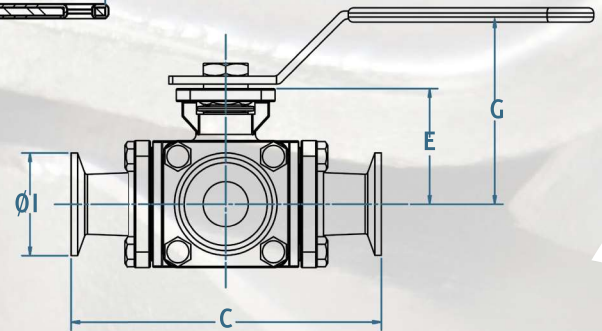
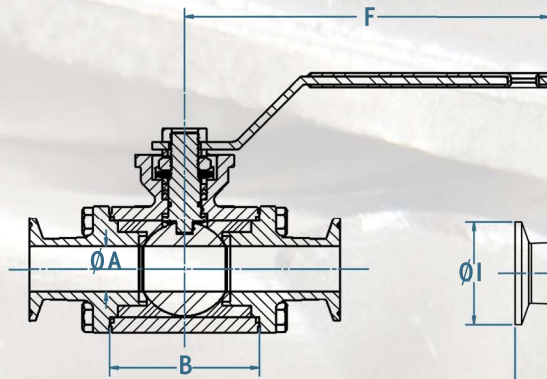
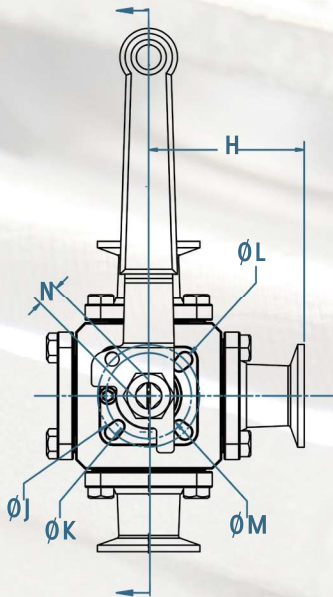


EA-407-SN



Item	Part (Qty)	Material
1	Body	CF3M
2	End Caps (3)	CF3M
3	Seats (4)	PTFE
4	Ball	SUS 316
5	Stem	SUS 316
6	Joint Gasket (4)	PTFE
7	Body Gasket	PTFE
8	Stem Seats (3)	PTFE
9	Gland Ring (2)	SUS 304
10	O-ring	VITON®
11	Belleville Spring Washer (2)	SUS 301
12	Lever Nut (2)	SUS 304
13	Locking Tab	SUS 304
14	Handle	SUS 304
15	Ball Seats	PTFE
16	Stop Screw	SUS 304
17	Bolts	SUS 304
18	Anti-Static Device	SUS 316
19	Cavity Fillers	PTFE
20	Back Plug	PTFE
21	Back Plate	CF3M



Size	A	B	C	E	F	G	H	I	J	K	L	M	N	ISO5211
½"	.37	1.05	4.33	1.54	5.19	2.36	2.16	1.00	1.95	1.40	6	3	9	F03/F04
¾"	.62	1.30	4.69	1.77	5.19	2.54	2.34	1.00	1.95	1.40	6	3	9	F03/F04
1"	0.87	2.88	6.00	2.27	7.28	3.61	3.00	1.80	1.97	1.65	7	6	11	F04/F05
1½"	1.37	3.84	7.50	3.02	8.66	4.34	3.75	1.80	2.76	1.97	9	7	14	F05/F07
2"	1.87	4.74	8.50	3.41	8.66	4.74	4.25	2.50	2.76	1.97	9	11	14	F05/F07
2½"	2.37	3.34	7.76	3.84	9.92	5.00	6.50	3.00	4.00	2.76	11	9	17	F07/F10
3"	2.88	6.77	12.00	4.86	13.78	6.63	6.00	3.57	4.00	2.76	11	9	17	F07/F10
4"	3.83	8.28	13.00	5.51	13.78	7.28	6.50	4.68	4.00	2.76	11	9	17	F07/F10

