



1.2 SolidC-2

1. Parts list and Service Kits

The drawing and the parts list include all items.

Pos.	Qty.	Denomination	Full speed 3600rpm		
			3-5Hp	7.5-10Hp	15-20Hp
7	1	Shaft	9612-9138-01	9612-9139-01	9612-9140-01
10	1	Drive ring, Single shaft seal	9612-1377-01	9612-1377-01	9612-1377-01
	1	Drive ring, Flushed shaft seal	9612-9268-01	9612-9268-01	9612-9268-01
16	1	Adaptor	9612-9162-01	9612-9164-01	9612-9164-01
17	4	Screw for motorflange	9611-99-4412	9611-99-4413	9611-99-4414
20	4	Nut for backplate	9611-99-0353	9611-99-0353	9611-99-0353
21	4	Washer for backplate	9611-99-0786	9611-99-0786	9611-99-0786
22	2	Safety guard	9612-9153-01	9612-9153-01	9612-9153-01
25	1	Backplate	9612-9114-10	9612-9114-10	9612-9114-10
26	<input type="checkbox"/> <input type="radio"/>	O-ring for casing, EPDM	9611-99-4245	9611-99-4245	9611-99-4245
		(standard)			
	1	O-ring for casing, NBR	9611-99-4246	9611-99-4246	9611-99-4246
	1	O-ring for casing, FPM	9611-99-4247	9611-99-4247	9611-99-4247
	1	O-ring for casing, FEP	9611-99-4248	9611-99-4248	9611-99-4248
29	1	Pump casing, Tri-clamp	9612-9102-02	9612-9102-02	9612-9102-02
36	1	Impeller screw	9612-3627-03	9612-3627-03	9612-3627-03
37	1	Impeller	9612-9118-06	9612-9118-06	9612-9118-06
38	<input type="checkbox"/> <input type="radio"/>	O-ring for impeller screw, EPDM	9611-99-2750	9611-99-2750	9611-99-2750
		(standard)			
	1	O-ring for impeller screw, NBR	9611-99-2751	9611-99-2751	9611-99-2751
	1	O-ring for impeller screw, FPM	9611-99-2752	9611-99-2752	9611-99-2752
	1	O-ring for impeller screw, FEP	9611-99-3539	9611-99-3539	9611-99-3539
55	1	Clamp set	9612-9154-06	9612-9154-06	9612-9154-06
60	1	Comp. Ring	9612-9142-02	9612-9142-05	9612-9144-01
61	4	Screw for comp. Ring	9611-99-4258	9611-99-4259	9611-99-4259
64	1	Motor flange	9612-9160-06	9612-9160-07	9612-9160-08
65	4	Screw for adaptor	9611-99-4399	9611-99-4399	9611-99-4399
66	4	Spring washer for adaptor	9611-99-1888	9611-99-1888	9611-99-1888
71	4	Spring washer for motorflange	9611-99-4417	9611-99-4417	9611-99-4417

legs

70	2	Bracket set stainless steel	481661	481663	481665
		Bracket set carbon steel	481658	481662	481664

Pos.	Qty.	Denomination	3Hp	5Hp	7.5Hp	10Hp	15Hp	20Hp
1	1	Motor 3600rpm	9613-6016-25	9613-6016-26	9613-6016-27	9613-6016-28	9613-6016-29	9613-6016-30

Pos.	Qty.	Denomination	1Hp	1.5Hp	2Hp	3Hp
1	1	Motor 1800rpm	9613-6016-87	9613-6016-88	9613-6016-89	9613-6016-90

3/60/208/230-460 - Standard

Accessories

1	Tool for seal	9612-9036-01
1	Impeller gauge	9613-6016-80

Parts for Flushed Shaft Seal

40	1	Seal housing	9612-1339-01
42	2	Tube	9612-3589-15
41	2	Screw for seal housing	9611-99-0203

Service kit for single shaft seal

<input type="checkbox"/>	Service kit, EPDM	9611-92-2471
<input type="checkbox"/>	Service kit, NBR	9611-92-2472
<input type="checkbox"/>	Service kit, FPM	9611-92-2473
<input type="checkbox"/>	Service kit, FEP	9611-92-2474

Service kit for flushed shaft seal

<input type="radio"/>	Service kit, EPDM	9611-92-2479
<input type="radio"/>	Service kit, NBR	9611-92-2480
<input type="radio"/>	Service kit, FPM	9611-92-2481
<input type="radio"/>	Service kit, FEP	9611-92-2482

Service kit SIC/SIC for single shaft seal

<input type="radio"/>	Service kit, EPDM	9611-92-2819
<input type="radio"/>	Service kit, NBR	9611-92-2820
<input type="radio"/>	Service kit, FPM	9611-92-2821
<input type="radio"/>	Service kit, FEP	9611-92-2822

Service kit SIC/SIC for flushed shaft seal

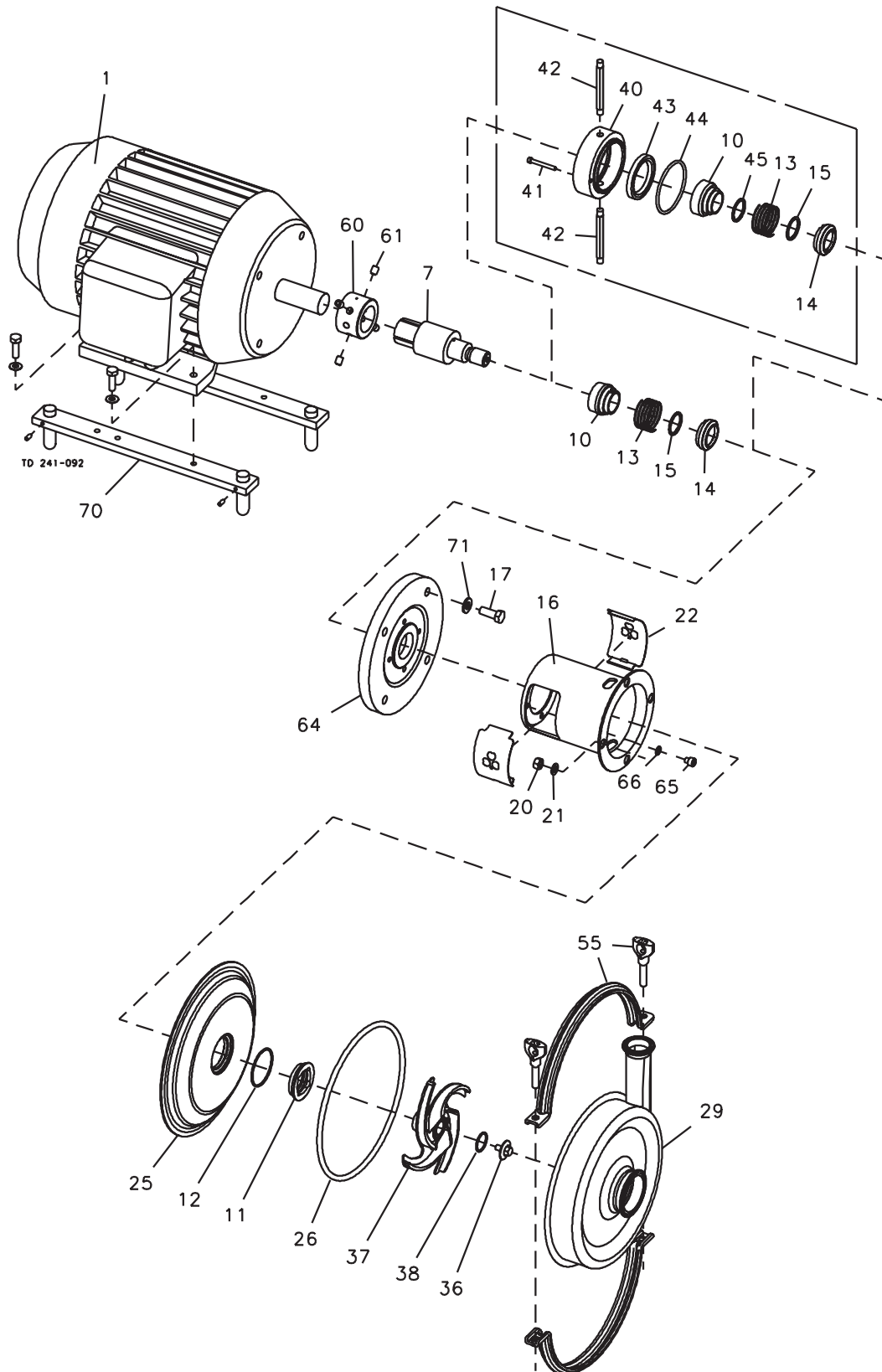
<input type="radio"/>	Service kit, EPDM	9611-92-2823
<input type="radio"/>	Service kit, NBR	9611-92-2824
<input type="radio"/>	Service kit, FPM	9611-92-2825
<input type="radio"/>	Service kit, FEP	9611-92-2826

Recommended Spare parts: Service kits Shaft seal: See page 9-10.

Conversion kit, single to flushed shaft seal 9611-92-2469=10+40+41+42+43+44+45

Parts marked with / are included in the service kits.

This page shows an exploded drawing of SolidC-2.
The drawing includes all items of the pump.



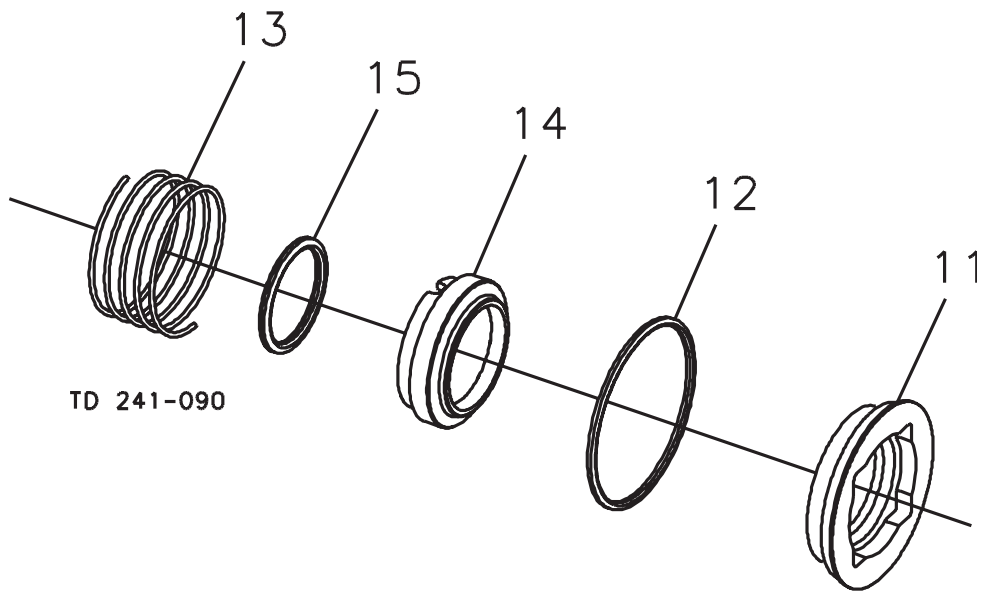
The drawing and the parts list include all items.

Pos.	Qty.	Denomination	1.5-30Hp
Single shaft seal			
□Complete shaft seal, EPDM (standard) 9612-1296-09			
11	1	Stationary seal ring, SiC	9612-1379-01
12	1	O-ring, EPDM	9611-99-2149
13	1	Spring	9612-1376-01
14	1	Rotating seal ring, Carbon	9612-1364-01
15	1	O-ring, EPDM	9611-99-2145
□Complete shaft seal , NBR 9612-1296-10			
11	1	Stationary seal ring, SiC	9612-1379-01
12	1	O-ring, NBR.....	9611-99-2151
13	1	Spring	9612-1376-01
14	1	Rotating seal ring, Carbon	9612-1364-01
15	1	O-ring, NBR.....	9611-99-2147
□Complete shaft seal , FPM 9612-1296-11			
11	1	Stationary seal ring, SiC	9612-1379-01
12	1	O-ring, FPM.....	9611-99-2150
13	1	Spring	9612-1376-01
14	1	Rotating seal ring, Carbon	9612-1364-01
15	1	O-ring, FPM.....	9611-99-2146
□Complete shaft seal , FEP 9612-1296-12			
11	1	Stationary seal ring, SiC	9612-1379-01
12	1	O-ring, FEP	9611-99-2152
13	1	Spring	9612-1376-01
14	1	Rotating seal ring, Carbon	9612-1364-01
15	1	O-ring, FEP	9611-99-2148
Alternatives for single shaft seal			
Complete shaft seal, EPDM (standard) 9612-1296-05			
11	1	Stationary seal ring, SiC	9612-1379-01
12	1	O-ring, EPDM	9611-99-2149
13	1	Spring	9612-1376-01
14	1	Rotating seal ring, SiC.....	9612-1364-02
15	1	O-ring, EPDM	9611-99-2145
Complete shaft seal , NBR 9612-1296-06			
11	1	Stationary seal ring, SiC	9612-1379-01
12	1	O-ring, NBR.....	9611-99-2151
13	1	Spring	9612-1376-01
14	1	Rotating seal ring, SiC.....	9612-1364-02
15	1	O-ring, NBR.....	9611-99-2147
Complete shaft seal , FPM 9612-1296-07			
11	1	Stationary seal ring, SiC	9612-1379-01
12	1	O-ring, FPM.....	9611-99-2150
13	1	Spring	9612-1376-01
14	1	Rotating seal ring, SiC.....	9612-1364-02
15	1	O-ring, FPM.....	9611-99-2146
Complete shaft seal , FEP 9612-1296-08			
11	1	Stationary seal ring, SiC	9612-1379-01
12	1	O-ring, FEP	9611-99-2152
13	1	Spring	9612-1376-01
14	1	Rotating seal ring, SiC.....	9612-1364-02
15	1	O-ring, FEP	9611-99-2148

Pos.	Qty.	Denomination	1.5-30Hp
Flushed shaft seal			
○Complete shaft seal , EPDM (standard) 9612-9193-01			
11	1	Stationary seal ring, SiC	9612-1379-01
12	1	O-ring, EPDM	9611-99-2149
13	1	Spring	9612-1376-01
14	1	Rotating seal ring, Carbon	9612-1364-01
15	1	O-ring, EPDM	9611-99-2145
44	1	O-ring for seal housing EPDM	9611-99-2153
45	1	O-ring for drive ring	9611-99-2145
43	1	Lip seal	9611-99-3587
○Complete shaft seal , NBR 9612-9193-02			
11	1	Stationary seal ring, SiC	9612-1379-01
12	1	O-ring, NBR.....	9611-99-2151
13	1	Spring	9612-1376-01
14	1	Rotating seal ring, Carbon	9612-1364-01
15	1	O-ring, NBR.....	9611-99-2147
44	1	O-ring for seal housing EPDM	9611-99-2153
45	1	O-ring for drive ring	9611-99-2145
43	1	Lip seal	9611-99-3587
○Complete shaft seal , FPM 9612-9193-03			
11	1	Stationary seal ring, SiC	9612-1379-01
12	1	O-ring, FPM.....	9611-99-2150
13	1	Spring	9612-1376-01
14	1	Rotating seal ring, Carbon	9612-1364-01
15	1	O-ring, FPM.....	9611-99-2146
44	1	O-ring for seal housing EPDM	9611-99-2153
45	1	O-ring for drive ring	9611-99-2145
43	1	Lip seal	9611-99-3587
○Complete shaft seal , FEP 9612-9193-04			
11	1	Stationary seal ring, SiC	9612-1379-01
12	1	O-ring, FEP	9611-99-2152
13	1	Spring	9612-1376-01
14	1	Rotating seal ring, Carbon	9612-1364-01
15	1	O-ring, FEP	9611-99-2148
44	1	O-ring for seal housing EPDM	9611-99-2153
45	1	O-ring for drive ring	9611-99-2145
43	1	Lip seal	9611-99-3587
Alternatives for flushed shaft seal			
Complete shaft seal , EPDM 9612-9193-05			
11	1	Stationary seal ring, SiC	9612-1379-01
12	1	O-ring, EPDM	9611-99-2149
13	1	Spring	9612-1376-01
14	1	Rotating seal ring, SiC.....	9612-1364-02
15	1	O-ring, EPDM	9611-99-2145
44	1	O-ring for seal housing EPDM	9611-99-2153
45	1	O-ring for drive ring	9611-99-2145
43	1	Lip seal	9611-99-3587
Complete shaft seal , NBR 9612-9193-06			
11	1	Stationary seal ring, SiC	9612-1379-01
12	1	O-ring, NBR.....	9611-99-2151
13	1	Spring	9612-1376-01
14	1	Rotating seal ring, SiC.....	9612-1364-02
15	1	O-ring, NBR.....	9611-99-2147
44	1	O-ring for seal housing EPDM	9611-99-2153
45	1	O-ring for drive ring	9611-99-2145
43	1	Lip seal	9611-99-3587
Complete shaft seal , FPM 9612-9193-07			
11	1	Stationary seal ring, SiC	9612-1379-01
12	1	O-ring, FPM.....	9611-99-2150
13	1	Spring	9612-1376-01
14	1	Rotating seal ring, SiC.....	9612-1364-02
15	1	O-ring, FPM.....	9611-99-2146
44	1	O-ring for seal housing EPDM	9611-99-2153

*This page shows an exploded drawing of SolidC shaft seals.
The drawing includes all items of the seals.*

Single Shaft Seal



Flushed Shaft Seal

