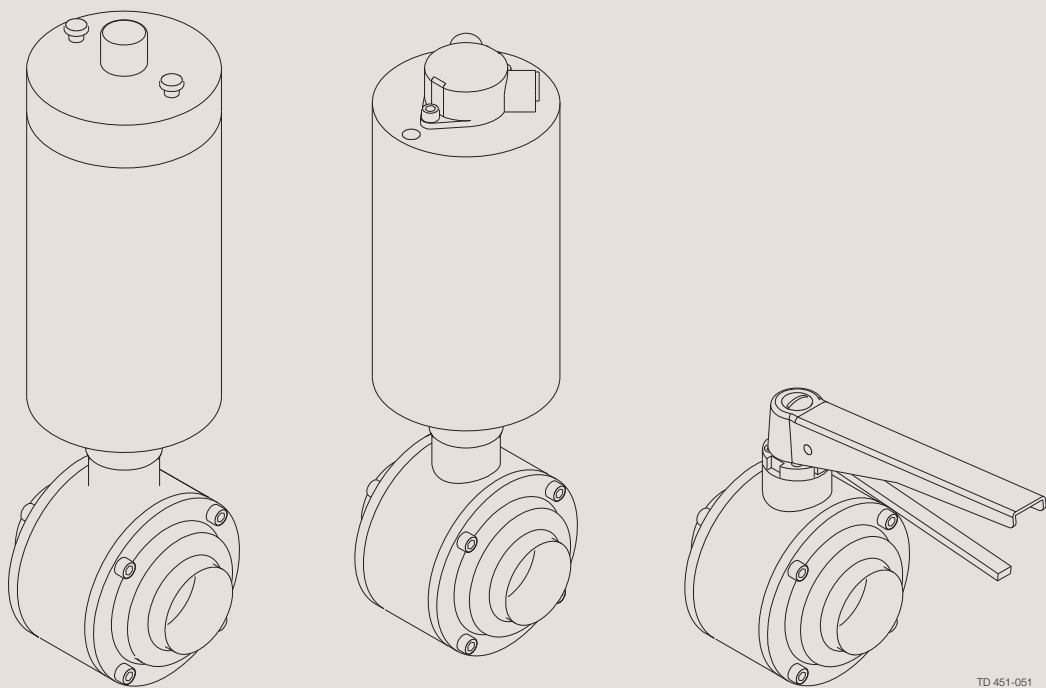




Spare Parts

SBV Sanitary Ball Valve



TD 451-051

ESE00804-EN6 2021-09

Original manual



CSI

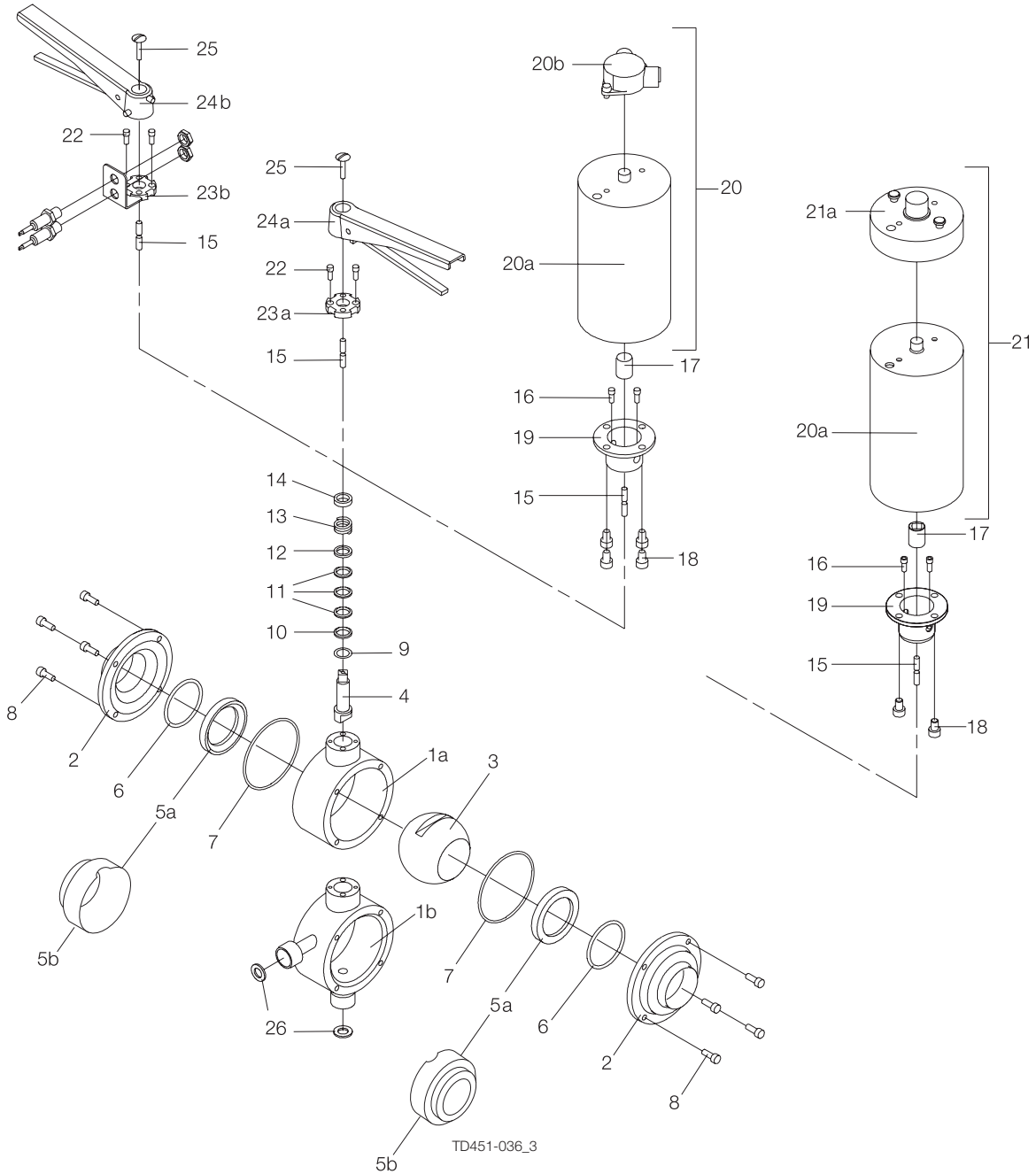
CONTACT CSI FOR MORE INFORMATION | CSIDESIGNS.COM | SALES@CSIDESIGNS.COM | 417.831.1411

The information herein is correct at the time of issue but may be subject to change without prior notice

1. SBV Sanitary Ball Valve, ISO 4

2. SBV Sanitary Ball Valve, DIN 8

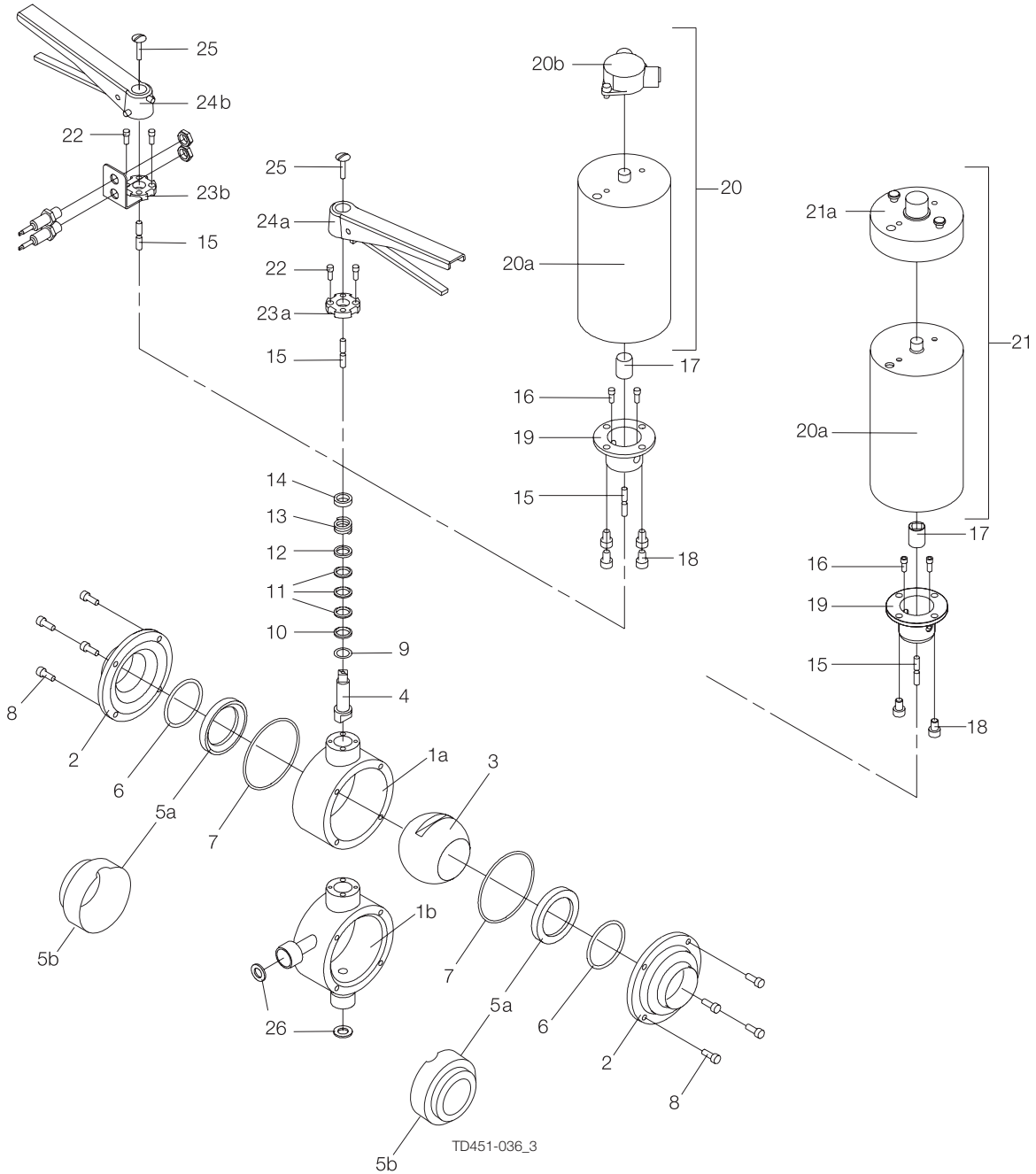




SBV Sanitary Ball Valve, ISO

Pos	Qty	Denomination	25 mm	38 mm	51 mm	63.5 mm	76.1 mm	101.6 mm
1a	1	Valve body	9612647501	9612647535	9612647547	9612647559	9612647571	9612647584
1b	1	Valve body, for cavity cleaning ...	9612647673	9612647674	9612647675	9612647676	9612647677	9612647678
2	2	Flange	9612647502	9612647536	9612647548	9612647560	9612647572	9612647585
3	1	Ball	9612647503	9612647537	9612647549	9612647561	9612647573	9612647586
4	1	Stem	9612647504	9612647504	9612647550	9612647550	9612647550	9612647587
5a	□♦	2 Valve seat						
5b	○*	2 Valve seat, for cavity fillers						
6	□♦○*	2 O-ring, EPDM (std)						
		O-ring, NBR						
		O-ring, Q						
		O-ring, FPM						
7	□♦○*	2 O-ring, EPDM (std)						
		O-ring, NBR						
		O-ring, Q						
		O-ring, FPM						
8	8	Flange screw,	9612647514	9612647514	9612647514			
	12	Flange screw,				9612647514	9612647583	
	16	Flange screw,						9612647583
9	♦♦	1 Sliding ring						
10	♦♦	1 Support ring						
11	♦♦	3 V-rings						
12	♦♦	1 Pressure ring						
13	♦♦	1 Spring	9612647519	9612647519	9612647519	9612647519	9612647519	9612647602
14	♦♦	1 Slide bearing						
15	2	Pin	9612647521	9612647521	9612647521	9612647521	9612647521	9612647604
16	2	Screw (act.)	9612647522	9612647522	9612647522	9612647522	9612647522	9612647605
17	1	Coupling	9612647523	9612647523	9612647523	9612647523	9612647523	9612647606
18	2	Screw	9612647524	9612647524	9612647524	9612647524	9612647524	9612647607
19	1	Bonnet	9612647525	9612647525	9612647525	9612647525	9612647525	9612647608
20	1	Actuator complete, standard version,	9612647680	9612647680	9612647680	9612647680	9612647680	9612647681
20a		Actuator	9612647526	9612647526	9612647526	9612647526	9612647526	9612647609
20b	1	Position indicator complete	9612647527	9612647527	9612647527	9612647527	9612647527	9612647527
21		Actuator complete, ThinkTop version,	9612647682	9612647682	9612647682	9612647682	9612647682	9612647683
20a		Actuator	9612647526	9612647526	9612647526	9612647526	9612647526	9612647609
21a	1	ThinkTop adapter complete	9612647528	9612647528	9612647528	9612647528	9612647528	9612647610
22	2	Screw (man.)	9612647529	9612647529	9612647529	9612647529	9612647529	
23a	1	Top plate	9612647530	9612647530	9612647530	9612647530	9612647530	
23b	1	Top plate, for position indication ..	9612647531	9612647531	9612647531	9612647531	9612647531	9612647613
24a	1	Handle	9612647532	9612647532	9612647532	9612647532	9612647532	
24b	1	Handle, for position indication ...	9612647533	9612647533	9612647533	9612647533	9612647533	
25	1	Screw	9612647534	9612647534	9612647534	9612647534	9612647534	
26	2	Seal for valves with cavity cleaning connections **	9612647679	9612647679	9612647679	9612647679	9612647679	9612647679





SBV Sanitary Ball Valve, ISO

		25 mm	38 mm	51 mm	63.5 mm	76.1 mm	101.6 mm
Service kits for product wetted parts							
□	Service kit, EPDM (std.)	9612647701	9612647709	9612647717	9612647725	9612647733	9612647741
□	Service kit, NBR	9612647702	9612647710	9612647718	9612647726	9612647734	9612647742
□	Service kit, Q	9612647703	9612647711	9612647719	9612647727	9612647735	9612647743
□	Service kit, FPM	9612647704	9612647712	9612647720	9612647728	9612647736	9612647744
Service kits for cavity fillers							
○	Service kit, EPDM (std.)	9612647801	9612647809	9612647817	9612647825	9612647833	9612647841
○	Service kit, NBR	9612647802	9612647810	9612647818	9612647826	9612647834	9612647842
○	Service kit, Q	9612647803	9612647811	9612647819	9612647827	9612647835	9612647843
○	Service kit, FPM	9612647804	9612647812	9612647820	9612647828	9612647836	9612647844
		25 mm	38 mm	51 mm	63.5 mm	76.1 mm	101.6 mm

Service kits for all seals

◆	Service kit, EPDM (std.) *	9612647705	9612647713	9612647721	9612647729	9612647737	9612647745
◆	Service kit, NBR *	9612647706	9612647714	9612647722	9612647730	9612647738	9612647746
◆	Service kit, Q *	9612647707	9612647715	9612647723	9612647731	9612647739	9612647747
◆	Service kit, FPM *	9612647708	9612647716	9612647724	9612647732	9612647740	9612647748

Service kits for cavity fillers - all seals

*	Service kit, EPDM (std.) *	9612647805	9612647813	9612647821	9612647829	9612647837	9612647845
*	Service kit, NBR *	9612647806	9612647814	9612647822	9612647830	9612647838	9612647846
*	Service kit, Q *	9612647807	9612647815	9612647823	9612647831	9612647839	9612647847
*	Service kit, FPM *	9612647808	9612647816	9612647824	9612647832	9612647840	9612647848

* Including mounting tool for stem gasket unit

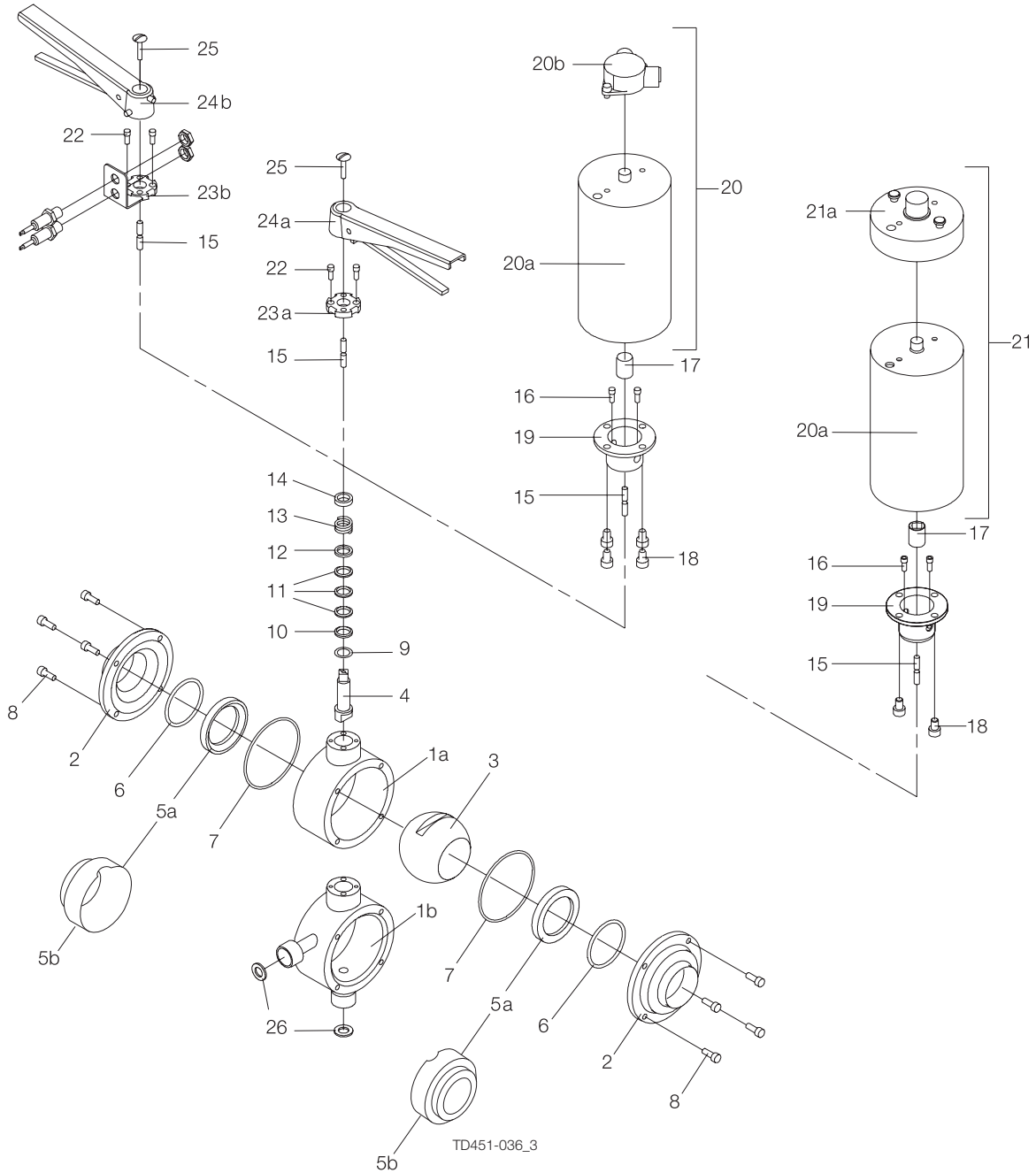
** Not included in service kits

Parts marked with □◆○* are included in the service kits.

Recommended spare parts: Service kits.

900152/1

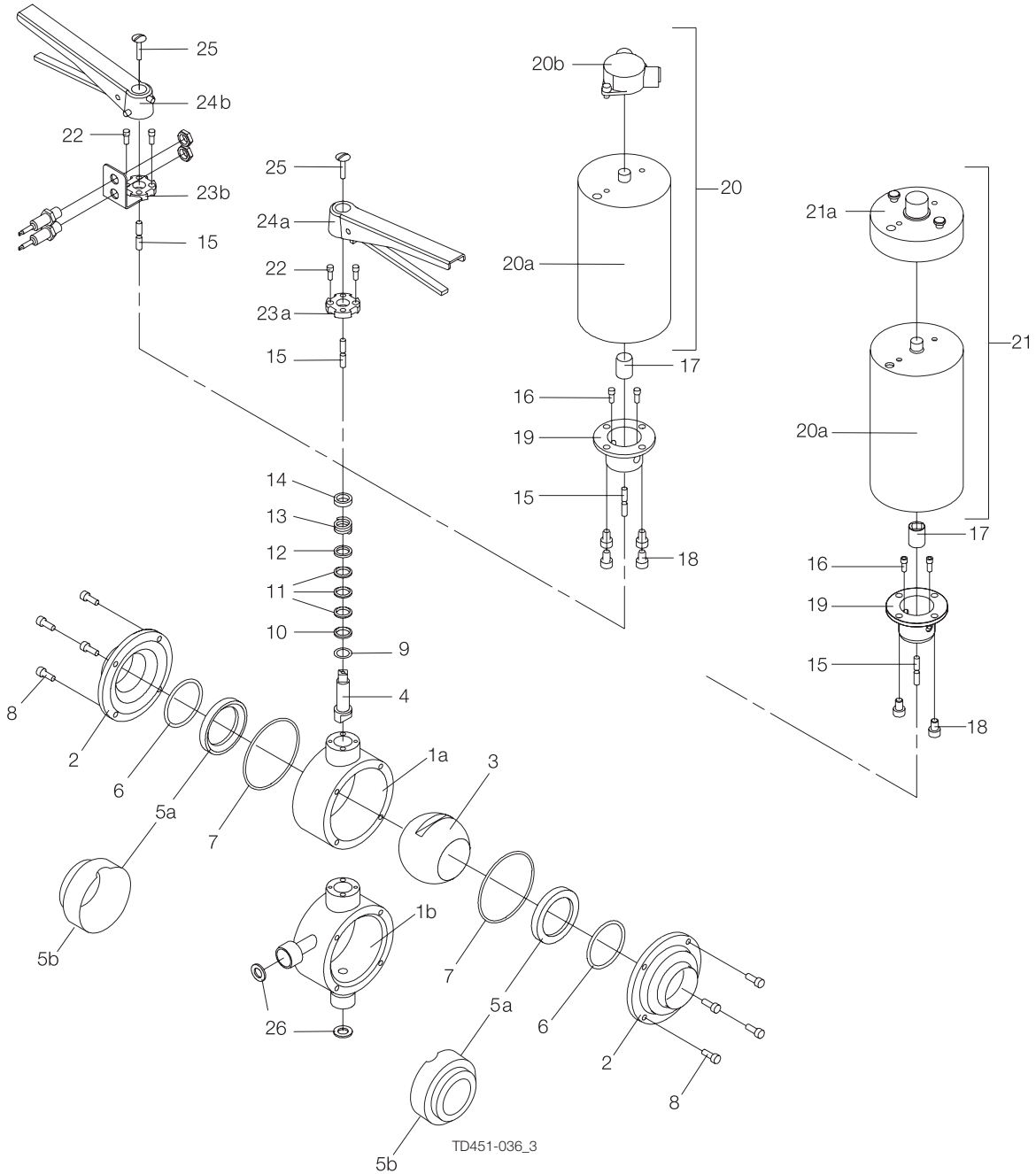




SBV Sanitary Ball Valve, DIN

Pos	Qty	Denomination	DN25	DN40	DN50	DN65	DN80	DN100
1a	1	Valve body	9612647501	9612647535	9612647547	9612647559	9612647571	9612647584
1b	1	Valve body, for cavity cleaning ...	9612647673	9612647674	9612647675	9612647676	9612647677	9612647678
2	2	Flange	9612647617	9612647624	9612647631	9612647638	9612647645	9612647652
3	1	Ball	9612647618	9612647625	9612647632	9612647639	9612647646	9612647653
4	1	Stem	9612647504	9612647504	9612647550	9612647550	9612647550	9612647587
5a	2	Valve seat						
5b	2	Valve seat, for cavity fillers						
6	2	O-ring, EPDM (std)						
		O-ring, NBR						
		O-ring, Q						
		O-ring, FPM						
7	2	O-ring, EPDM (std)						
		O-ring, NBR						
		O-ring, Q						
		O-ring, FPM						
8	8	Flange screw,	9612647514	9612647514	9612647514			
	12	Flange screw,				9612647514	9612647583	
	16	Flange screw,						9612647583
9	1	Sliding ring						
10	1	Support ring						
11	3	V-rings						
12	1	Pressure ring						
13	1	Spring	9612647519	9612647519	9612647519	9612647519	9612647519	9612647602
14	1	Slide bearing						
15	2	Pin	9612647521	9612647521	9612647521	9612647521	9612647521	9612647604
16	2	Screw (act.)	9612647522	9612647522	9612647522	9612647522	9612647522	9612647605
17	1	Coupling	9612647523	9612647523	9612647523	9612647523	9612647523	9612647606
18	2	Screw	9612647524	9612647524	9612647524	9612647524	9612647524	9612647607
19	1	Bonnet	9612647525	9612647525	9612647525	9612647525	9612647525	9612647608
20	1	Actuator complete, standard version	9612647680	9612647680	9612647680	9612647680	9612647680	9612647681
20a		Actuator	9612647526	9612647526	9612647526	9612647526	9612647526	9612647609
20b	1	Position indicator complete	9612647527	9612647527	9612647527	9612647527	9612647527	9612647527
21		Actuator complete, ThinkTop version	9612647682	9612647682	9612647682	9612647682	9612647682	9612647683
20a		Actuator	9612647526	9612647526	9612647526	9612647526	9612647526	9612647609
21a	1	ThinkTop adapter complete	9612647528	9612647528	9612647528	9612647528	9612647528	9612647610
22	2	Screw (man.)	9612647529	9612647529	9612647529	9612647529	9612647529	
23a	1	Top plate	9612647530	9612647530	9612647530	9612647530	9612647530	
23b		Top plate, for position indication ..	9612647531	9612647531	9612647531	9612647531	9612647531	9612647613
24a	1	Handle	9612647532	9612647532	9612647532	9612647532	9612647532	
24b		Handle, for position indication ...	9612647533	9612647533	9612647533	9612647533	9612647533	
25	1	Screw	9612647534	9612647534	9612647534	9612647534	9612647534	
26	2	Seal for valves with cavity cleaning connections **	9612647679	9612647679	9612647679	9612647679	9612647679	9612647679





SBV Sanitary Ball Valve, DIN

		DN25	DN40	DN50	DN65	DN80	DN100
Service kits for product wetted parts							
□	Service kit, EPDM (std.)	9612647749	9612647757	9612647765	9612647773	9612647781	9612647789
□	Service kit, NBR	9612647750	9612647758	9612647766	9612647774	9612647782	9612647790
□	Service kit, Q	9612647751	9612647759	9612647767	9612647775	9612647783	9612647791
□	Service kit, FPM	9612647752	9612647760	9612647768	9612647776	9612647784	9612647792
Service kits for cavity fillers							
○	Service kit, EPDM (std.)	9612647849	9612647857	9612647865	9612647873	9612647881	9612647889
○	Service kit, NBR	9612647850	9612647858	9612647866	9612647874	9612647882	9612647890
○	Service kit, Q	9612647851	9612647859	9612647867	9612647875	9612647883	9612647891
○	Service kit, FPM	9612647852	9612647860	9612647868	9612647876	9612647884	9612647892
		DN25	DN40	DN50	DN65	DN80	DN100

Service kits for all seals

◆	Service kit, EPDM (std.) *	9612647753	9612647761	9612647769	9612647777	9612647785	9612647793
◆	Service kit, NBR *	9612647754	9612647762	9612647770	9612647778	9612647786	9612647794
◆	Service kit, Q *	9612647755	9612647763	9612647771	9612647779	9612647787	9612647795
◆	Service kit, FPM *	9612647756	9612647764	9612647772	9612647780	9612647788	9612647796

Service kits for cavity fillers - all seals

*	Service kit, EPDM (std.) *	9612647853	9612647861	9612647869	9612647877	9612647885	9612647893
*	Service kit, NBR *	9612647854	9612647862	9612647870	9612647878	9612647886	9612647894
*	Service kit, Q *	9612647855	9612647863	9612647871	9612647879	9612647887	9612647895
*	Service kit, FPM *	9612647856	9612647864	9612647872	9612647880	9612647888	9612647896

* Including mounting tool for stem gasket unit

** Not included in service kits

Parts marked with □◆○* are included in the service kits.

Recommended spare parts: Service kits.

900152/1



How to contact Alfa Laval

Contact details for all countries are continually updated on our website.

Please visit www.alfalaval.com to access the information directly.

© Alfa Laval Corporate AB

This document and its contents is owned by Alfa Laval Corporate AB and protected by laws governing intellectual property and thereto related rights. It is the responsibility of the user of this document to comply with all applicable intellectual property laws. Without limiting any rights related to this document, no part of this document may be copied, reproduced or transmitted in any form or by any means (electronic, mechanical, photocopying, recording, or otherwise), or for any purpose, without the expressed permission of Alfa Laval Corporate AB. Alfa Laval Corporate AB will enforce its rights related to this document to the fullest extent of the law, including the seeking of criminal prosecution.



CSI

CONTACT CSI FOR MORE INFORMATION | CSIDESIGNS.COM | SALES@CSIDESIGNS.COM | 417.831.1411