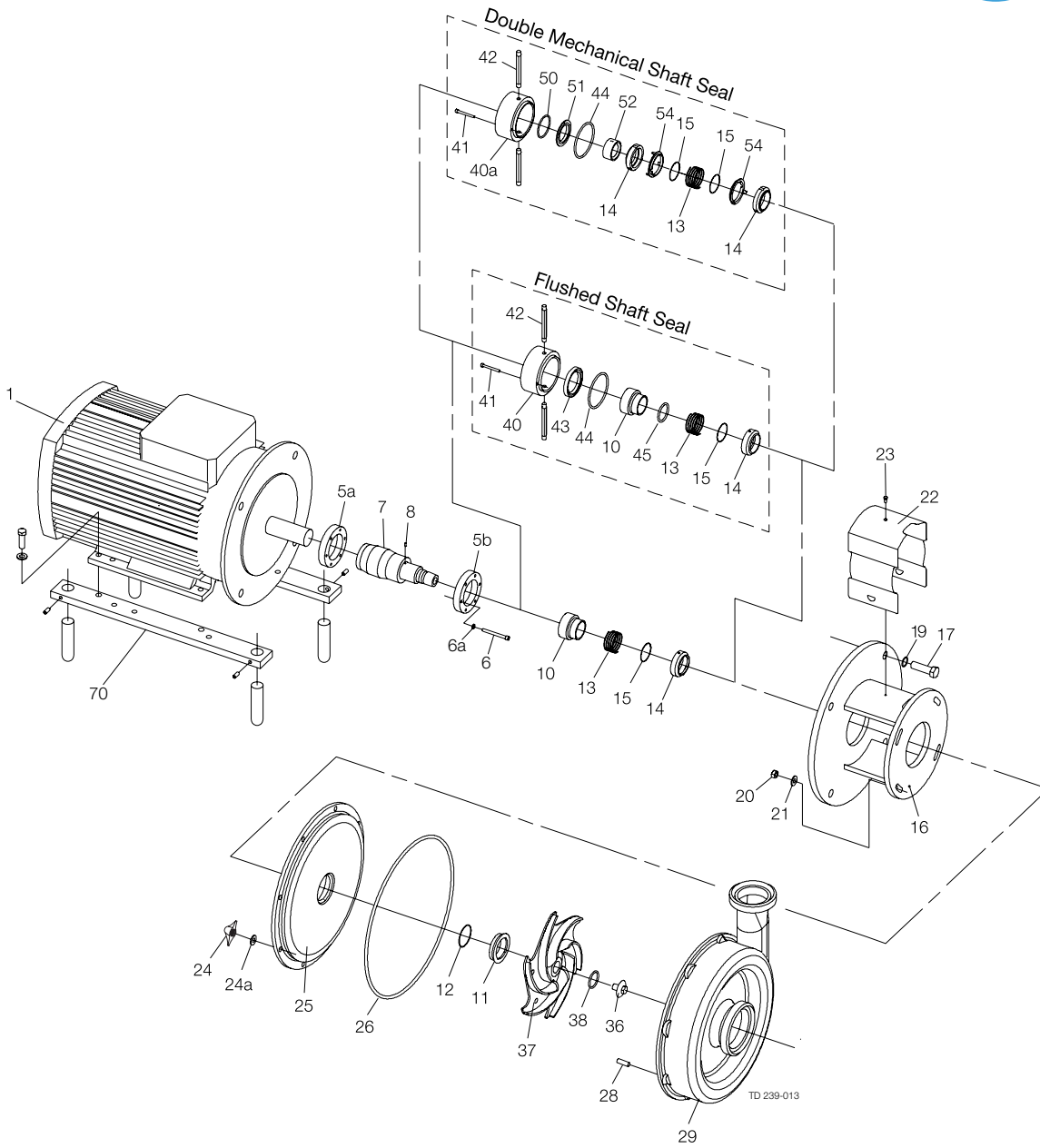


1.11 Centrifugal Pump, Type LKH-70
Single, flushed and double mechanical shaft seal



1. Parts List / Drawing

1.11 Centrifugal Pump, Type LKH-70
Single, flushed and double mechanical shaft seal

Pos.	Qty.	Denomination	15-20hp	25-30hp	40-50hp	60-75hp	100hp
5a	1	Compression ring with thread.....	9612-1336-03	9612-1336-03	9612-1336-04	9612-1336-04	9612-1336-07
5b	1	Compression ring without thread ...	9612-1337-03	9612-1337-03	9612-1337-04	9612-1337-04	9612-1337-07
6	6	Screw.....	9611-99-3197	9611-99-3198	9611-99-3198	9611-99-3198	9611-99-3198
6a	6	Washer.....	9611-99-3199	9611-99-3199	9611-99-3199	9611-99-3199	9611-99-3199
7	1	Shaft with pin (pos.8)	9612-5124-03	9612-5124-03	9612-5125-03	9612-5125-03	9612-55-4003
	1	Drive ring.....	9612-5149-01	9612-5149-01	9612-5149-01	9612-5149-01	9612-5149-01
16	1	Adaptor.....	9612-5120-01	9612-5120-02	9612-5119-02	9612-5119-02	9612-5119-02
17	4	Screw for adaptor.....	9611-99-4414	9611-99-4414	9611-99-4415	9611-99-4415	9611-99-4415
19	4	Washer for adaptor.....	9611-99-4417	9611-99-4417	9611-99-4418	9611-99-4418	9611-99-4418
20	4	Nut.....	9611-99-0353	9611-99-0353	9611-99-0353	9611-99-0353	9611-99-0353
21	4	Washer.....	9611-99-2559	9611-99-2559	9611-99-2559	9611-99-2559	9611-99-2559
22	1	Safety guard.....	9612-5145-05	9612-5145-05	9612-5145-05	9612-5145-05	9612-5145-05
23	1	Screw for safety guard.....	9611-99-2544	9611-99-2544	9611-99-2544	9611-99-2544	9611-99-2544
24	8	Wing nut	9611-41-6892	9611-41-6892	9611-41-6892	9611-41-6892	9611-41-6892
24a	8	Spring washer	9611-99-1887	9611-99-1887	9611-99-1887	9611-99-1887	9611-99-1887
25	1	Back plate.....	9612-5146-07	9612-5146-07	9612-5146-07	9612-5146-07	9612-5146-07
26	1	O-ring, EPDM (standard)	9611-99-3211	9611-99-3211	9611-99-3211	9611-99-3211	9611-99-3211
	1	O-ring, NBR	9611-99-3212	9611-99-3212	9611-99-3212	9611-99-3212	9611-99-3212
	1	O-ring, FPM	9611-99-3213	9611-99-3213	9611-99-3213	9611-99-3213	9611-99-3213
	1	O-ring, FEP	9611-99-3214	9611-99-3214	9611-99-3214	9611-99-3214	9611-99-3214
29	1	Pump casing, Tri-clamp.....	9612-5147-29	9612-5147-29	9612-5147-29	9612-5147-29	9612-5147-29
28	8	Pin bolt.....	9611-99-2169	9611-99-2169	9611-99-2169	9611-99-2169	9611-99-2169
36	1	Impeller screw	9612-9271-02	9612-9271-02	9612-9271-02	9612-9271-02	9612-9271-02
37	1	Impeller	9612-4994-03	9612-4994-03	9612-4994-03	9612-4994-03	9612-4994-03
38	1	O-ring EPDM.....	9611-99-3215	9611-99-3215	9611-99-3215	9611-99-3215	9611-99-3215
	1	O-ring NBR	9611-99-3216	9611-99-3216	9611-99-3216	9611-99-3216	9611-99-3216
	1	O-ring FPM	9611-99-3217	9611-99-3217	9611-99-3217	9611-99-3217	9611-99-3217
	1	O-ring FEP	9611-99-3218	9611-99-3218	9611-99-3218	9611-99-3218	9611-99-3218
Legs							
70	2	Bracket set stainless steel	481665	481669	9634-0561-95	9634-0561-96	9634-0561-96

Pos.	Qty.	Denomination	15hp	20hp	25hp	30hp	40hp	50hp	60hp	75hp	100 hp
1	1	Motor 3600rpm.....	254TSC	256TSC	284TSC	286TSC	324TSC	326TSC	364TSC	365TSC	405TSC

3/60/208/230-460 - standard

Pos.	Qty.	Denomination	15-100Hp
Parts for flushed shaft seal			
40	1	Seal housing.....	9612-5144-01
41	2	Screw for seal housing	9611-99-3232
42	2	Tube.....	9612-3589-03
Parts for double Mechanical shaft seal			
40a	1	Seal housing.....	9612-5914-01
41	2	Screw for seal housing	9611-99-3766
42	2	Tube.....	9612-3589-03
Accessories			
	1	Tool complete.....	9612-9037-01

Service kit for single shaft seal		7 #G7	G7 #G7
	Service kit, EPDM.....	■ 9611-92-2238	□ 9611-92-2643
	Service kit, NBR	■ 9611-92-2239	□ 9611-92-2644
	Service kit, FPM	■ 9611-92-2240	□ 9611-92-2645
	Service kit, FEP	■ 9611-92-2241	□ 9611-92-2646
Service kit for flushed shaft seal		7 #G7	G7 #G7
	Service kit, EPDM.....	◆ 9611-92-2242	○ 9611-92-2647
	Service kit, NBR	◆ 9611-92-2243	○ 9611-92-2648
	Service kit, FPM	◆ 9611-92-2244	○ 9611-92-2649
	Service kit, FEP	◆ 9611-92-2245	○ 9611-92-2650
Service kit for double mechanical shaft seal		7 #G7	G7 #G7
	Service kit, EPDM.....	● 9611-92-2416	❖ 9611-92-2651
	Service kit, NBR	● 9611-92-2417	❖ 9611-92-2652
	Service kit, FPM	● 9611-92-2418	❖ 9611-92-2653
	Service kit, FEP	● 9611-92-2419	❖ 9611-92-2654

Parts marked with ■◆●□○❖ are included in the service kits.

Recommended Spare Parts: Service kits.

900292/0

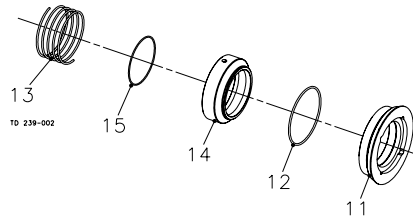
Shaft seal: See end of spare part

Conversion kit, single to flushed shaft seal EPDM C/SIC 9611-92-2246 = Pos 40+41+42+43+44+45

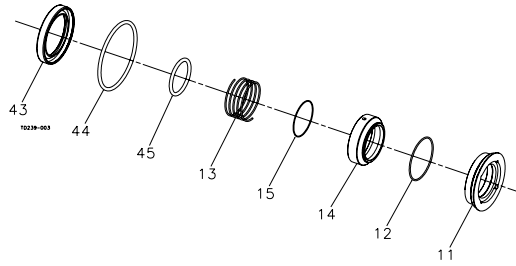
Conversion kit, single to double mechanical shaft seal EPDM C/SIC 9611-92-2420 = Pos.13+14+15+ 40a+41+42+44+50+51+52+54

Conversion kit, flushed to double mechanical shaft seal EPDM C/SIC 9611-92-2421 = Pos.13+14+15+ 40a+41+50+51+52+54

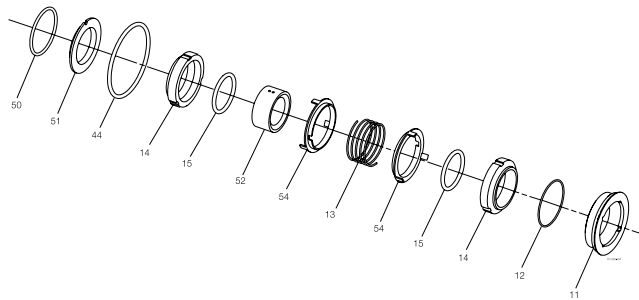
Single Shaft Seal



Flushed Shaft Seal



Double mechanical shaft seal



Pos.	Qty.	Denomination	15-100 Hp	Pos.	Qty.	Denomination	15-100 Hp	
Shaft seal for single shaft seal				Shaft seal for flushed shaft seal				
■ Complete shaft seal, EPDM (Standard)9612-5151-01				◆ Complete shaft seal, EPDM (Standard)9612-5151-09				
11	1	Stationary seal ring, SiC.	9612-5152-01	11	1	Stationary seal ring, SiC.	9612-5152-01	
12	1	O-ring, EPDM	9611-99-3223	12	1	O-ring, EPDM	9611-99-3223	
13	1	Spring	9612-5154-01	13	1	Spring	9612-5154-01	
14	1	Rotating seal ring, carbon	9612-5153-01	14	1	Rotating seal ring, carbon	9612-5153-01	
15	1	O-ring, EPDM	9611-99-3219	15	1	O-ring, EPDM	9611-99-3219	
■ Complete shaft seal, NBR9612-5151-02				43 1 Lip seal				9611-99-3263
11	1	Stationary seal ring, SiC.	9612-5152-01	44	1	O-ring for seal housing	9611-99-2153	
12	1	O-ring, NBR	9611-99-3224	45	1	O-ring for drive ring	31460-1056-1	
13	1	Spring	9612-5154-01	◆ Complete shaft seal, NBR9612-5151-10				
14	1	Rotating seal ring, carbon	9612-5153-01	11	1	Stationary seal ring, SiC.	9612-5152-01	
15	1	O-ring, NBR	9611-99-3220	12	1	O-ring, NBR	9611-99-3224	
■ Complete shaft seal, FPM9612-5151-03				13	1	Spring	9612-5154-01	
11	1	Stationary seal ring, SiC.	9612-5152-01	14	1	Rotating seal ring, carbon	9612-5153-01	
12	1	O-ring, FPM	9611-99-3225	15	1	O-ring, NBR	9611-99-3220	
13	1	Spring	9612-5154-01	43	1	Lip seal	9611-99-3263	
14	1	Rotating seal ring, carbon	9612-5153-01	44	1	O-ring for seal housing	9611-99-2153	
15	1	O-ring, FPM	9611-99-3221	45	1	O-ring for drive ring	31460-1056-1	
■ Complete shaft seal, FEP9612-5151-04				◆ Complete shaft seal, FPM9612-5151-11				
11	1	Stationary seal ring, SiC.	9612-5152-01	11	1	Stationary seal ring, SiC.	9612-5152-01	
12	1	O-ring, FEP	9611-99-3226	12	1	O-ring, FPM	9611-99-3225	
13	1	Spring	9612-5154-01	13	1	Spring	9612-5154-01	
14	1	Rotating seal ring, carbon	9612-5153-01	14	1	Rotating seal ring, carbon	9612-5153-01	
15	1	O-ring, FEP	9611-99-3222	15	1	O-ring, FPM	9611-99-3221	
Alternatives for single shaft seal				43	1	Lip seal	9611-99-3263	
□ Complete shaft seal, EPDM9612-5151-05				44	1	O-ring for seal housing	9611-99-2153	
11	1	Stationary seal ring, SiC.	9612-5152-01	45	1	O-ring for drive ring	31460-1056-1	
12	1	O-ring, EPDM	9611-99-3223	◆ Complete shaft seal, FEP9612-5151-12				
13	1	Spring	9612-5154-01	11	1	Stationary seal ring, SiC.	9612-5152-01	
14	1	Rotating seal ring SiC.....	9612-5153-02	12	1	O-ring, FEP	9611-99-3226	
15	1	O-ring, EPDM	9611-99-3219	13	1	Spring	9612-5154-01	
□ Complete shaft seal, NBR9612-5151-06				14	1	Rotating seal ring, carbon	9612-5153-01	
11	1	Stationary seal ring, SiC.	9612-5152-01	15	1	O-ring, FEP	9611-99-3222	
12	1	O-ring, NBR	9611-99-3224	43	1	Lip seal	9611-99-3263	
13	1	Spring	9612-5154-01	44	1	O-ring for seal housing	9611-99-2153	
14	1	Rotating seal ring SiC.....	9612-5153-02	45	1	O-ring for drive ring	31460-1056-1	
15	1	O-ring, NBR	9611-99-3220	□ Complete shaft seal, FPM9612-5151-07				
□ Complete shaft seal, FPM9612-5151-07				11	1	Stationary seal ring, SiC.	9612-5152-01	
11	1	Stationary seal ring, SiC.	9612-5152-01	12	1	O-ring, FPM	9611-99-3225	
12	1	O-ring, FPM	9611-99-3225	13	1	Spring	9612-5154-01	
13	1	Spring	9612-5154-01	14	1	Rotating seal ring SiC.....	9612-5153-02	
14	1	Rotating seal ring SiC.....	9612-5153-02	15	1	O-ring, FPM	9611-99-3221	
15	1	O-ring, FPM	9611-99-3221	□ Complete shaft seal, FEP9612-5151-08				
□ Complete shaft seal, FEP9612-5151-08				11	1	Stationary seal ring, SiC.	9612-5152-01	
11	1	Stationary seal ring, SiC.	9612-5152-01	12	1	O-ring, FEP	9611-99-3226	
12	1	O-ring, FEP	9611-99-3226	13	1	Spring	9612-5154-01	
13	1	Spring	9612-5154-01	14	1	Rotating seal ring SiC.....	9612-5153-02	
14	1	Rotating seal ring SiC.....	9612-5153-02	15	1	O-ring, FEP	9611-99-3222	
15	1	O-ring, FEP	9611-99-3222					

Pos.	Qty.	Denomination	15-100 Hp	Pos.	Qty.	Denomination	15-100 Hp
Alternatives for flushed shaft seal							
○ Complete shaft seal, EPDM.....9612-5151-13				● Complete seal, FPM9612-5151-19			
11	1	Stationary seal ring, SiC.	9612-5152-01	11	1	Stationary seal ring, SiC.	9612-5152-01
12	1	O-ring, EPDM	9611-99-3223	12	1	O-ring, FPM	9611-99-3225
13	1	Spring.....	9612-5154-01	13	1	Spring.....	9612-6383-01
14	1	Rotating seal ring SiC.....	9612-5153-02	14	2	Rotating seal ring, carbon	9612-6380-01
15	1	O-ring, EPDM	9611-99-3219	15	2	O-ring, FPM	9611-99-3221
43	1	Lip seal	9611-99-3263	44	1	O-ring for seal housing.....	9611-99-2153
44	1	O-ring for seal housing.....	9611-99-2153	50	1	O-ring, EPDM	9611-99-3747
45	1	O-ring for drive ring	31460-1056-1	51	1	Sec. stationary seal ring, SiC.....	9612-6382-01
○ Complete shaft seal, NBR9612-5151-14				52 1 Drive ring.....9612-6381-01			
11	1	Stationary seal ring, SiC.	9612-5152-01	54	2	Cup.....	9612-6395-01
12	1	O-ring, NBR	9611-99-3224	● Complete seal, FEP9612-5151-20			
13	1	Spring.....	9612-5154-01	11	1	Stationary seal ring, SiC.	9612-5152-01
14	1	Rotating seal ring SiC.....	9612-5153-02	12	1	O-ring, FEP	9611-99-3226
15	1	O-ring, NBR.....	9611-99-3220	13	1	Spring.....	9612-6383-01
43	1	Lip seal	9611-99-3263	14	2	Rotating seal ring, carbon	9612-6380-01
44	1	O-ring for seal housing.....	9611-99-2153	15	2	O-ring, FEP	9611-99-3222
45	1	O-ring for drive ring	31460-1056-1	44	1	O-ring for seal housing.....	9611-99-2153
○ Complete shaft seal, FPM9612-5151-15				50 1 O-ring, EPDM			
11	1	Stationary seal ring, SiC.	9612-5152-01	51	1	Sec. stationary seal ring, SiC.....	9612-6382-01
12	1	O-ring, FPM	9611-99-3225	52	1	Drive ring.....	9612-6381-01
13	1	Spring.....	9612-5154-01	54	2	Cup.....	9612-6395-01
14	1	Rotating seal ring SiC.....	9612-5153-02	Alternatives for double mechanical shaft seal			
15	1	O-ring, FPM	9611-99-3221	❖ Complete seal, EPDM (standard)9612-5151-21			
43	1	Lip seal	9611-99-3263	11	1	Stationary seal ring, SiC.	9612-5152-01
44	1	O-ring for seal housing.....	9611-99-2153	12	1	O-ring, EPDM	9611-99-3223
45	1	O-ring for drive ring	31460-1056-1	13	1	Spring.....	9612-6383-01
○ Complete shaft seal, FEP9612-5151-16				14	2	Rotating seal ring, SiC.....	9612-6380-02
11	1	Stationary seal ring, SiC.	9612-5152-01	15	2	O-ring, EPDM	9611-99-3219
12	1	O-ring, FEP	9611-99-3226	44	1	O-ring for seal housing.....	9611-99-2153
13	1	Spring.....	9612-5154-01	50	1	O-ring, EPDM	9611-99-3747
14	1	Rotating seal ring SiC.....	9612-5153-02	51	1	Sec. stationary seal ring, SiC.....	9612-6382-01
15	1	O-ring, FEP	9611-99-3222	52	1	Drive ring.....	9612-6381-01
43	1	Lip seal	9611-99-3263	54	2	Cup.....	9612-6395-01
44	1	O-ring for seal housing.....	9611-99-2153	❖ Complete seal, NBR.....9612-5151-22			
45	1	O-ring for drive ring	31460-1056-1	11	1	Stationary seal ring, SiC.	9612-5152-01
Double mechanical shaft seal				12	1	O-ring, NBR	9611-99-3224
● Complete seal, EPDM (standard).....9612-5151-17				13	1	Spring.....	9612-6383-01
11	1	Stationary seal ring, SiC.	9612-5152-01	14	2	Rotating seal ring, SiC.....	9612-6380-02
12	1	O-ring, EPDM	9611-99-3223	15	2	O-ring, NBR.....	9611-99-3220
13	1	Spring.....	9612-6383-01	44	1	O-ring for seal housing.....	9611-99-2153
14	2	Rotating seal ring, carbon	9612-6380-01	50	1	O-ring, EPDM	9611-99-3747
15	2	O-ring, EPDM	9611-99-3219	51	1	Sec. stationary seal ring, SiC.....	9612-6382-01
44	1	O-ring for seal housing.....	9611-99-2153	52	1	Drive ring.....	9612-6381-01
50	1	O-ring, EPDM	9611-99-3747	54	2	Cup.....	9612-6395-01
51	1	Sec. stationary seal ring, SiC.....	9612-6382-01	❖ Complete seal, FPM.....9612-5151-23			
52	1	Drive ring.....	9612-6381-01	11	1	Stationary seal ring, SiC.	9612-5152-01
54	2	Cup.....	9612-6395-01	12	1	O-ring, FPM	9611-99-3225
● Complete seal, NBR9612-5151-18				13	1	Spring.....	9612-6383-01
11	1	Stationary seal ring, SiC.	9612-5152-01	14	2	Rotating seal ring, SiC.....	9612-6380-02
12	1	O-ring, NBR	9611-99-3224	15	2	O-ring, FPM	9611-99-3221
13	1	Spring.....	9612-6383-01	44	1	O-ring for seal housing.....	9611-99-2153
14	2	Rotating seal ring, carbon	9612-6380-01	50	1	O-ring, EPDM	9611-99-3747
15	2	O-ring, NBR.....	9611-99-3220	51	1	Sec. stationary seal ring, SiC.....	9612-6382-01
44	1	O-ring for seal housing.....	9611-99-2153	52	1	Drive ring.....	9612-6381-01
50	1	O-ring, EPDM	9611-99-3747	54	2	Cup.....	9612-6395-01
51	1	Sec. stationary seal ring, SiC.....	9612-6382-01	❖ Complete seal, FEP9612-5151-24			
52	1	Drive ring.....	9612-6381-01	11	1	Stationary seal ring, SiC.	9612-5152-01
54	2	Cup.....	9612-6395-01	12	1	O-ring, FEP	9611-99-3226
				13	1	Spring.....	9612-6383-01
				14	2	Rotating seal ring, SiC.....	9612-6380-02
				15	2	O-ring, FEP	9611-99-3222
				44	1	O-ring for seal housing.....	9611-99-2153
				50	1	O-ring, EPDM	9611-99-3747
				51	1	Sec. stationary seal ring, SiC.....	9612-6382-01
				52	1	Drive ring.....	9612-6381-01
				54	2	Cup.....	9612-6395-01

900316/0

