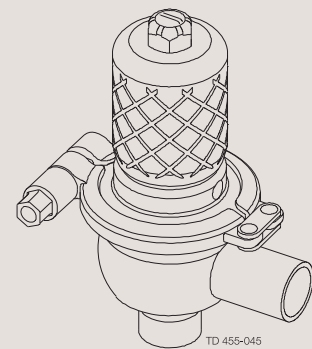
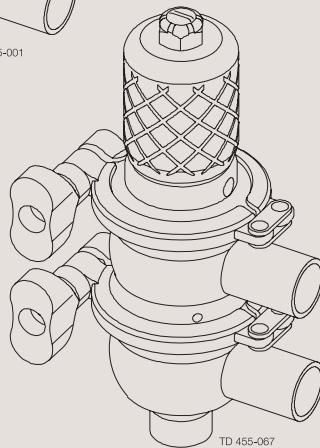
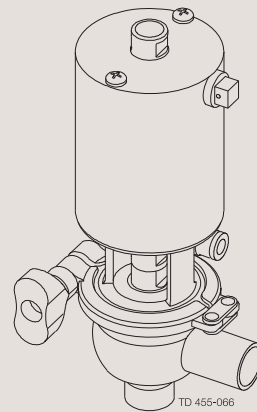
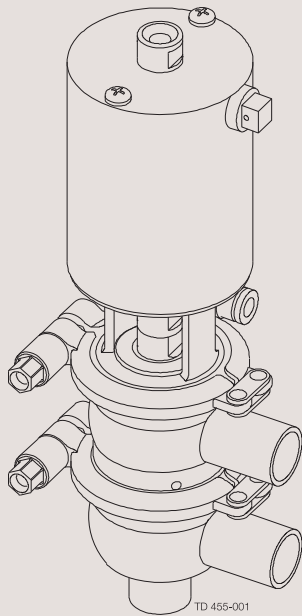


## Spare Parts

### Unique SSSV



TD 455-110

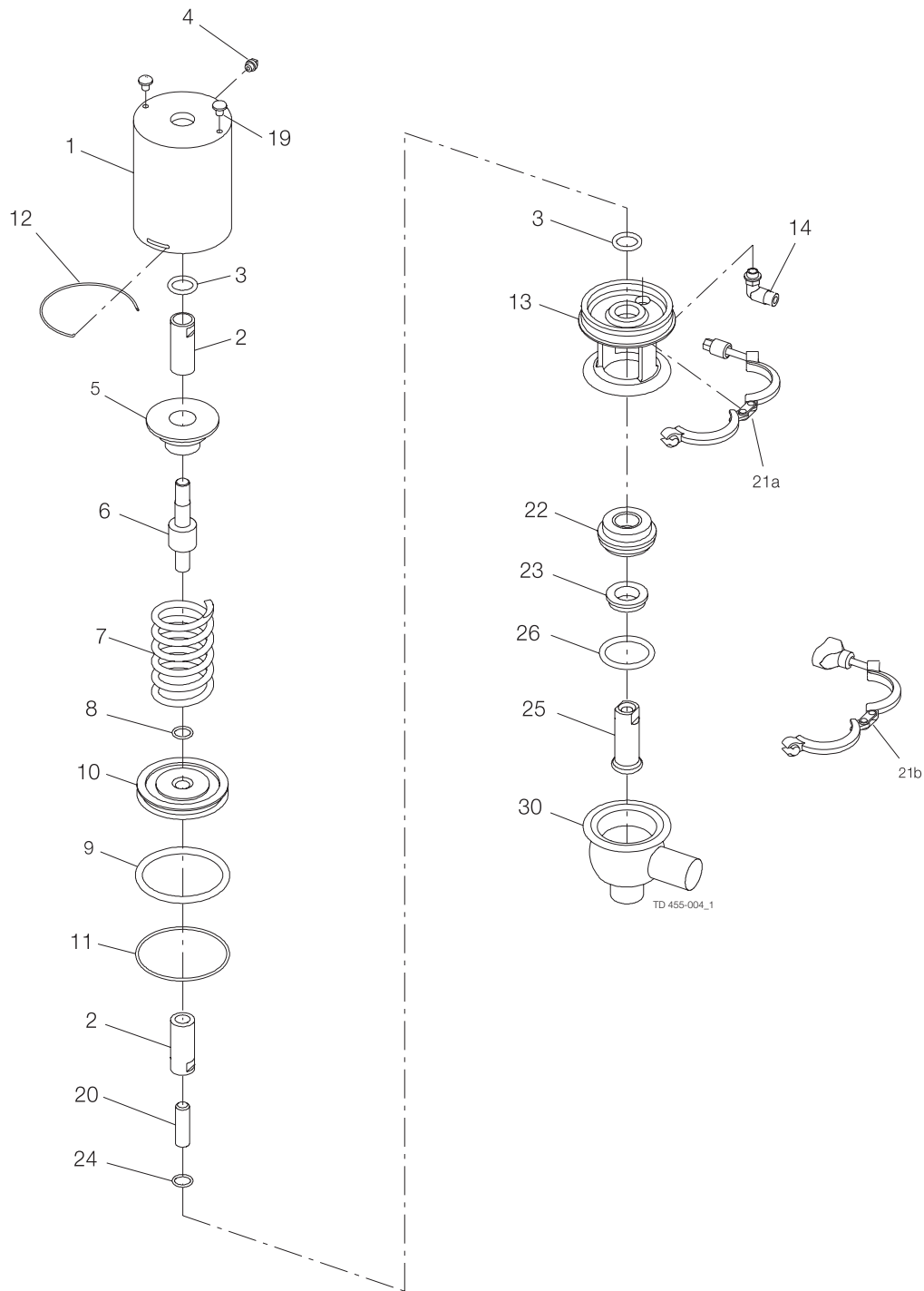


---

*The information herein is correct at the time of issue but may be subject to change without prior notice*

- 1. Unique SSSV - shut-off valve 12.7-19mm ..... 4
- 2. Unique SSSV - change-over valve 12.7-19 mm ..... 6
- 3. Unique SSSV - shut-off valve manual 12.7-19 mm ..... 8
- 4. Unique SSSV - change-over valve manual 12.7-19 mm ..... 10
- 5. Unique SSSV - adapter for ThinkTop ..... 12





# Unique SSSV - shut-off valve 12.7-19mm

Pos	Qty	Denomination	12.7 mm	19 mm
		Actuator, complete NC .....	9612940401	9612940402
		Piston/spring package, complete (pos. 2+5+6+7+8+10) .....	9612940424	9612940425
1	1	Cylinder .....	9612939602	9612939604
2	2	Middle piece .....		
		Please order a piston/spring package, cpl. ....		
3	□ 2	O-ring, NBR .....		
4	1	Plug .....		
5	1	Guide pin .....		
		Please order a piston/spring package, cpl. ....		
6	1	Piston rod .....		
		Please order a piston/spring package, cpl. ....		
7	1	Spring .....		
		Please order a piston/spring package, cpl. ....		
8	1	O-ring, NBR .....		
		Please order a piston/spring package, cpl. ....		
9	□ 1	O-ring, NBR .....		
10	1	Piston .....		
		Please order a piston/spring package, cpl. ....		
11	□ 1	O-ring, NBR .....		
12	1	Lock wire .....	9612939401	9612939401
13	1	Bonnet .....	9612939002	9612939002
14	1	Air fitting .....	9611991988	9611991988
19	2	Screw .....	9611994401	9611994401
20	1	Threaded pin .....	9611994282	9611994282
21a	1	Clamp with hexnut .....	9612939301	9612939301
21b	1	Clamp with wingnut .....	9612939308	9612939308
22	1	Sealing element .....	9612939101	9612939101
23	♦ 1	Lip seal, EPDM .....		
		Lip seal, HNBR .....		
		Lip seal, FPM .....		
24	♦ 1	O-ring, NBR .....		
25	♦ 1	Stop plug .....		
26	♦ 1	O-ring, EPDM .....		
		O-ring, HNBR .....		
		O-ring, FPM .....		
30	1	Lower valve body, with welding ends, 2 ports .....	9612934417	9612934517
		Lower valve body, with welding ends, 3 ports .....	9612934418	9612934518
		Lower valve body, with clamp ends, 2 ports .....	9612934433	9612934533
		Lower valve body, with clamp ends, 3 ports .....	9612934434	9612934534
			<b>12.7 mm</b>	<b>19 mm</b>

## Service kit for actuator

□	<b>Service kit, NBR .....</b>	<b>9611926323</b>	<b>9611926323</b>
---	-------------------------------	-------------------	-------------------

## Service kits for product wetted parts, standard

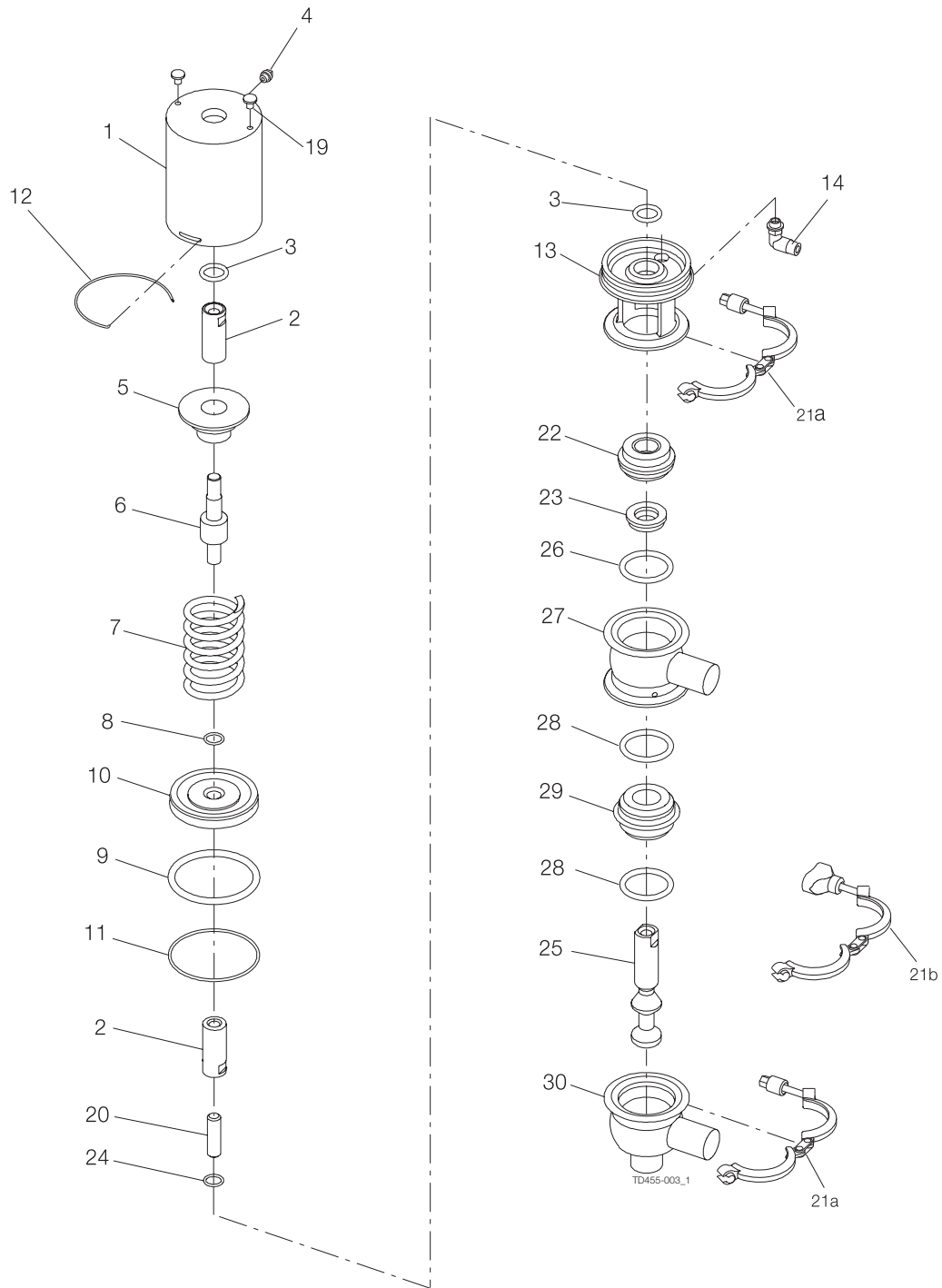
♦	<b>Service kits, EPDM .....</b>	<b>9611926319</b>	<b>9611926330</b>
♦	<b>Service kits, HNBR .....</b>	<b>9611926317</b>	<b>9611926328</b>
♦	<b>Service kits, FPM .....</b>	<b>9611926318</b>	<b>9611926329</b>

Parts marked with □♦ are included in the service kit.

Recommended spare parts: service kits.

TD 900218/1





# Unique SSSV - change-over valve 12.7-19 mm

Pos	Qty	Denomination	12.7 mm	19 mm
		Actuator, complete NC .....	9612940401	9612940402
		Piston/spring package, complete (pos. 2+5+6+7+8+10) .....	9612940424	9612940425
1	1	Cylinder .....	9612939602	9612939604
2	2	Middle piece .....		
		Please order a piston/spring package, cpl. ....		
3	□	2 O-ring, NBR .....		
4	1	Plug .....		
5	1	Guide pin .....		
		Please order a piston/spring package, cpl. ....		
6	1	Piston rod .....		
		Please order a piston/spring package, cpl. ....		
7	1	Spring .....		
		Please order a piston/spring package, cpl. ....		
8	1	O-ring, NBR .....		
		Please order a piston/spring package, cpl. ....		
9	□	1 O-ring, NBR .....		
10	1	Piston .....		
		Please order a piston/spring package, cpl. ....		
11	□	1 O-ring, NBR .....		
12	1	Lock wire .....	9612939401	9612939401
13	1	Bonnet .....	9612939002	9612939002
14	1	Air fitting .....	9611991988	9611991988
19	2	Screw .....	9611994401	9611994401
20	1	Threaded pin .....	9611994282	9611994282
21a	2	Clamp with hexnut .....	9612939301	9612939301
21b	2	Clamp with wingnut .....	9612939308	9612939308
22	1	Sealing element .....	9612939101	9612939101
23	♦	1 Lip seal, EPDM .....		
		1 Lip seal, HNBR .....		
		1 Lip seal, FPM .....		
24	♦	1 O-ring, NBR .....		
25	♦	1 Change-over plug .....		
26	♦	1 O-ring, EPDM .....		
		1 O-ring, HNBR .....		
		1 O-ring, FPM .....		
27	1	Upper valve body, with welding ends, 1 ports .....	9612934717	9612934817
		1 Upper valve body, with welding ends, 2 ports .....	9612934718	9612934818
		1 Upper valve body, with clamp ends, 1 ports .....	9612934733	9612934833
		1 Upper valve body, with clamp ends, 2 ports .....	9612934734	9612934834
28	♦	2 O-ring, EPDM .....		
		2 O-ring, HNBR .....		
		2 O-ring, FPM .....		
29	1	Valve seat .....	9612939201	9612939201
30	1	Lower valve body, with welding ends, 2 ports .....	9612934417	9612934517
		1 Lower valve body, with welding ends, 3 ports .....	9612934418	9612934518
		1 Lower valve body, with clamp ends, 2 ports .....	9612934433	9612934533
		1 Lower valve body, with clamp ends, 3 ports .....	9612934434	9612934534
			<b>12.7 mm</b>	<b>19 mm</b>

## Service kits for actuator

□	Service kit, NBR .....	9611926323	9611926323
---	------------------------	------------	------------

## Service kits for product wetted parts, standard

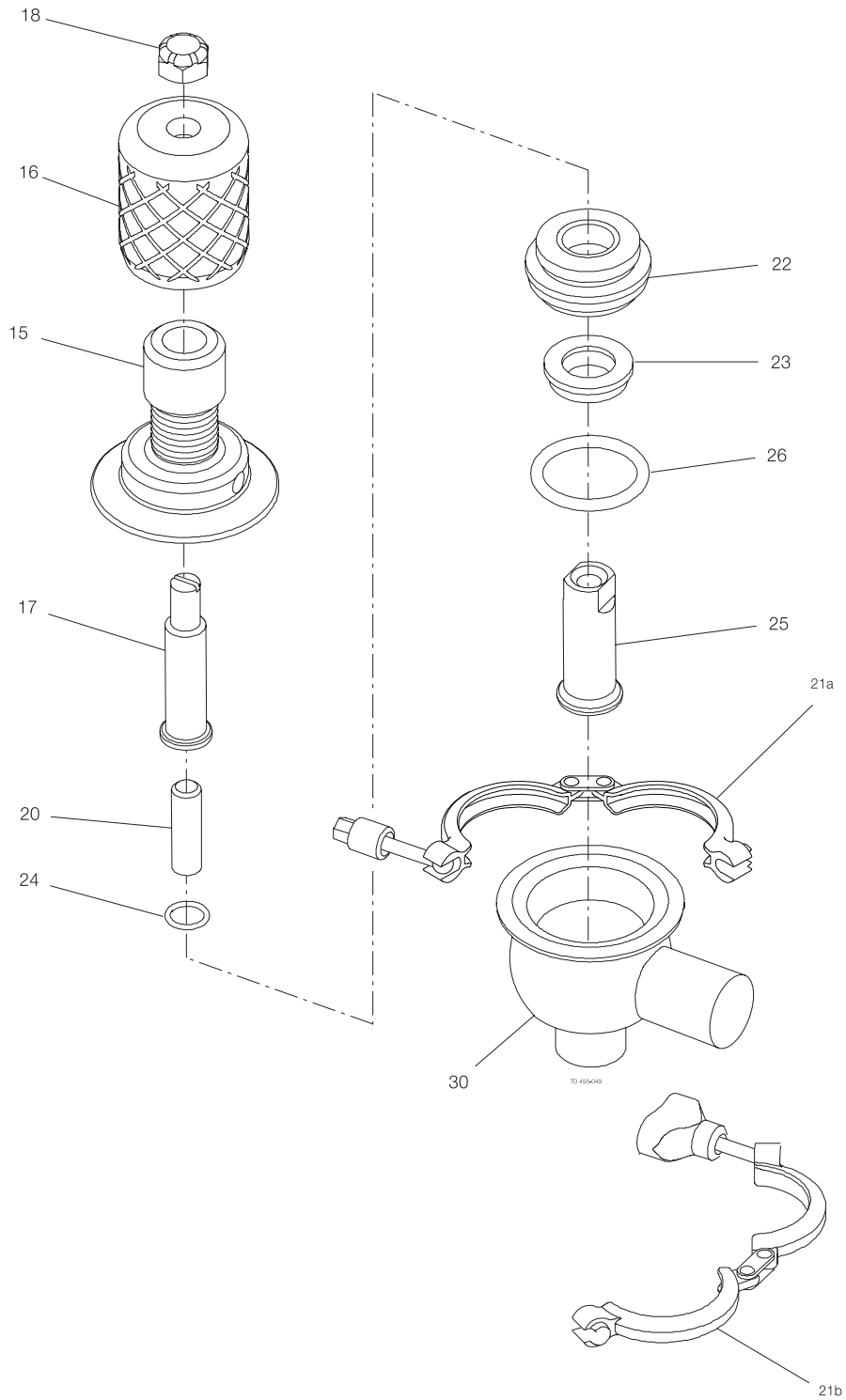
♦	Service kits, EPDM .....	9611926322	9611926333
♦	Service kits, HNBR .....	9611926320	9611926331
♦	Service kits, FPM .....	9611926321	9611926332

Parts marked with □♦ are included in the service kit.

Recommended spare parts: service kits.

TD 900219/1







# Unique SSSV - shut-off valve manual 12.7-19 mm

Pos	Qty	Denomination	12.7 mm	19 mm
		Manual handle, cpl. ....	9612940408	9612940408
15	1	Manual bonnet .....	9612944102	9612944102
16	1	Handle .....	9612943901	9612943901
17	1	Stem extension .....	9612944001	9612944001
18	1	Lock nut .....	9611993808	9611993808
20	1	Threaded pin .....	9611994282	9611994282
21a	1	Clamp with hexnut .....	9612939301	9612939301
21b	1	Clamp with wingnut .....	9612939308	9612939308
22	1	Sealing element .....	9612939101	9612939101
23 ♦	1	Lip seal, EPDM .....		
	1	Lip seal, HNBR .....		
	1	Lip seal, FPM .....		
24 ♦	1	O-ring, NBR .....		
25 ♦	1	Stop plug .....		
26 ♦	1	O-ring, EPDM .....		
	1	O-ring, HNBR .....		
	1	O-ring, FPM .....		
30	1	Lower valve body, with welding ends, 2 ports .....	9612934417	9612934517
	1	Lower valve body, with welding ends, 3 ports .....	9612934418	9612934518
	1	Lower valve body, with clamp ends, 2 ports .....	9612934433	9612934533
	1	Lower valve body, with clamp ends, 3 ports .....	9612934434	9612934534
			<b>12.7 mm</b>	<b>19 mm</b>

## Service kits for actuator

□	Service kit, NBR .....	9611926323	9611926323
---	------------------------	------------	------------

## Service kits for product wetted parts, standard

♦	Service kits, EPDM .....	9611926319	9611926330
♦	Service kits, HNBR .....	9611926317	9611926328
♦	Service kits, FPM .....	9611926318	9611926329

Parts marked with ♦ are included in the service kit.

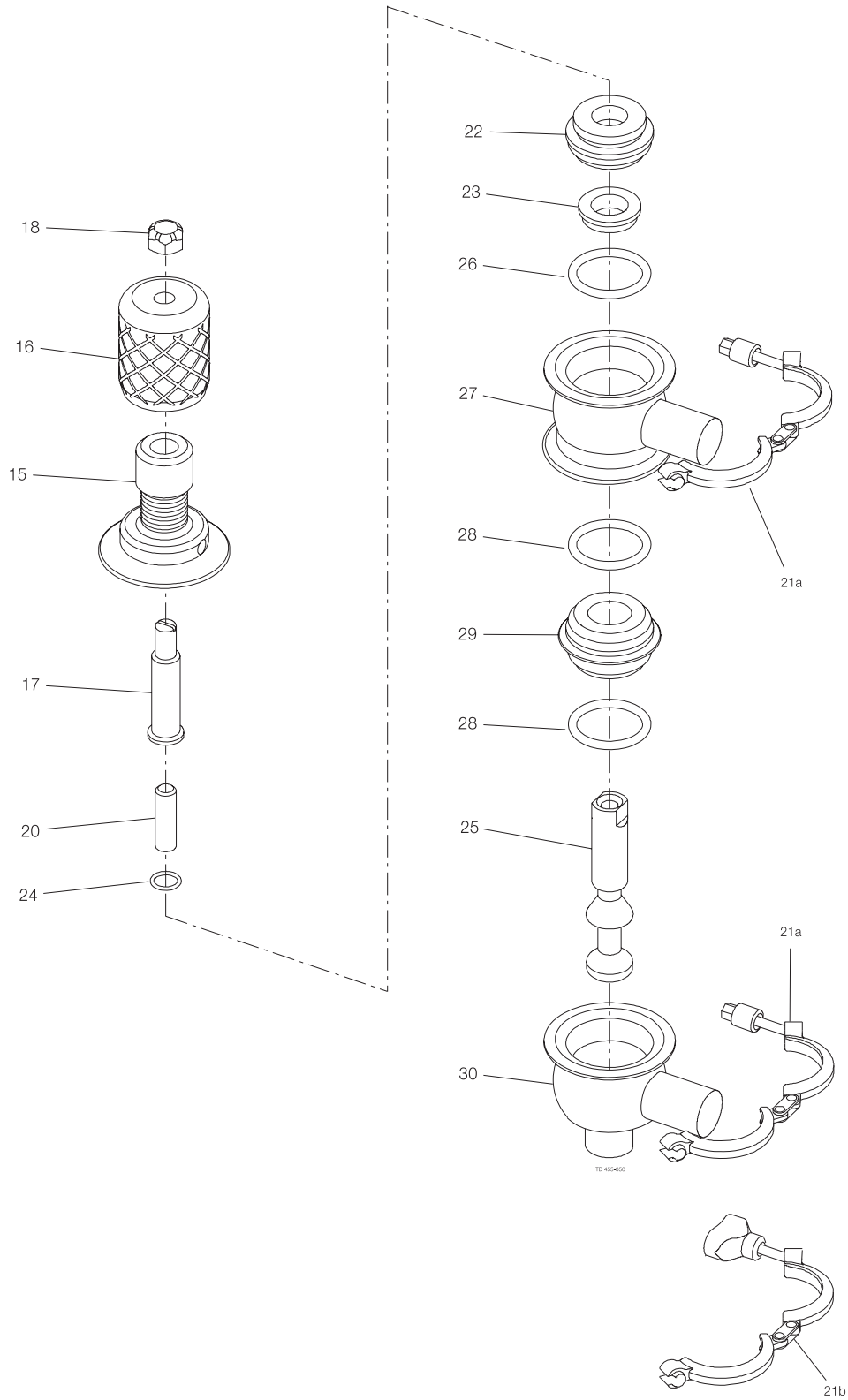
Recommended spare parts: service kits.

TD 900220/1



**CSI**

CONTACT CSI FOR MORE INFORMATION | CSIDESIGNS.COM | SALES@CSIDESIGNS.COM | 417.831.1411



# Unique SSSV - change-over valve manual 12.7-19 mm

Pos	Qty	Denomination	12.7 mm	19 mm
		Manual handle, cpl. ....	9612940408	9612940408
15	1	Manual bonnet .....	9612944102	9612944102
16	1	Handle .....	9612943901	9612943901
17	1	Stem extension .....	9612944001	9612944001
18	1	Lock nut .....	9611993808	9611993808
20	1	Threaded pin .....	9611994282	9611994282
21a	2	Clamp with hexnut .....	9612939301	9612939301
21b	2	Clamp with wingnut .....	9612939308	9612939308
22	1	Sealing element .....	9612939101	9612939101
23 ♦	1	Lip seal, EPDM .....		
	1	Lip seal, HNBR .....		
	1	Lip seal, FPM .....		
24 ♦	1	O-ring, NBR .....		
25 ♦	1	Change-over plug .....		
26 ♦	1	O-ring, EPDM .....		
	1	O-ring, HNBR .....		
	1	O-ring, FPM .....		
27	1	Upper valve body, with welding ends, 1 ports .....	9612934717	9612934817
	1	Upper valve body, with welding ends, 2 ports .....	9612934718	9612934818
	1	Upper valve body, with clamp ends, 1 ports .....	9612934733	9612934833
	1	Upper valve body, with clamp ends, 2 ports .....	9612934734	9612934834
28 ♦	2	O-ring, EPDM .....		
	2	O-ring, HNBR .....		
	2	O-ring, FPM .....		
29	1	Valve seat .....	9612939201	9612939201
30	1	Lower valve body, with welding ends, 2 ports .....	9612934417	9612934517
	1	Lower valve body, with welding ends, 3 ports .....	9612934418	9612934518
	1	Lower valve body, with clamp ends, 2 ports .....	9612934433	9612934533
	1	Lower valve body, with clamp ends, 3 ports .....	9612934434	9612934534
			<b>12.7 mm</b>	<b>19 mm</b>

## Service kits for actuator

□	Service kit, NBR .....	9611926323	9611926323
---	------------------------	------------	------------

## Service kits for product wetted parts, standard

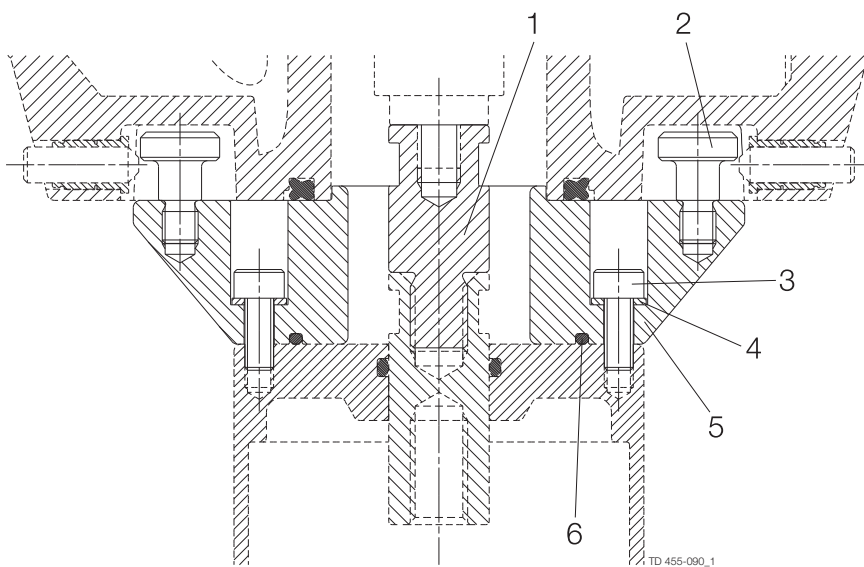
♦	Service kits, EPDM .....	9611926322	9611926333
♦	Service kits, HNBR .....	9611926320	9611926331
♦	Service kits, FPM .....	9611926321	9611926332

Parts marked with ♦ are included in the service kit.

Recommended spare parts: service kits.

TD 900221/1





Adapter for ThinkTop, cpl.

Pos	Qty	Denomination	9612947601
1	1	Extension .....	9612947801
2	2	Pin .....	9612947501
3	2	Screw .....	9611994403
4	2	Washer .....	9611994404
5	1	Adapter .....	9612947301
6	1	O-ring .....	9611994402

#### **How to contact Alfa Laval**

Contact details for all countries are continually updated on our website.

Please visit [www.alfalaval.com](http://www.alfalaval.com) to access the information directly.

© Alfa Laval Corporate AB

This document and its contents is owned by Alfa Laval Corporate AB and protected by laws governing intellectual property and thereto related rights. It is the responsibility of the user of this document to comply with all applicable intellectual property laws. Without limiting any rights related to this document, no part of this document may be copied, reproduced or transmitted in any form or by any means (electronic, mechanical, photocopying, recording, or otherwise), or for any purpose, without the expressed permission of Alfa Laval Corporate AB. Alfa Laval Corporate AB will enforce its rights related to this document to the fullest extent of the law, including the seeking of criminal prosecution.



**CSI**

CONTACT CSI FOR MORE INFORMATION | [CSIDESIGNS.COM](http://CSIDESIGNS.COM) | [SALES@CSIDESIGNS.COM](mailto:SALES@CSIDESIGNS.COM) | 417.831.1411