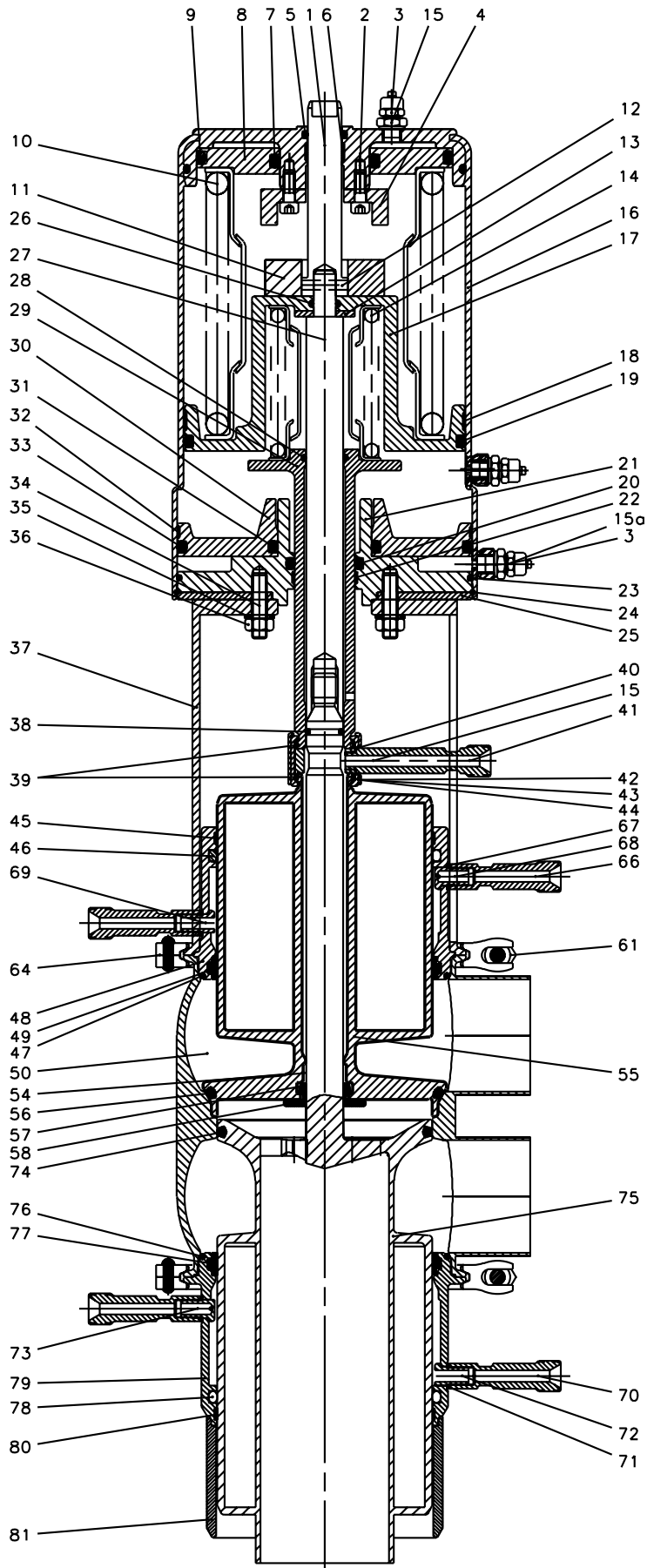


**Unique PMO
Sanitary Mixproof Valve**

2



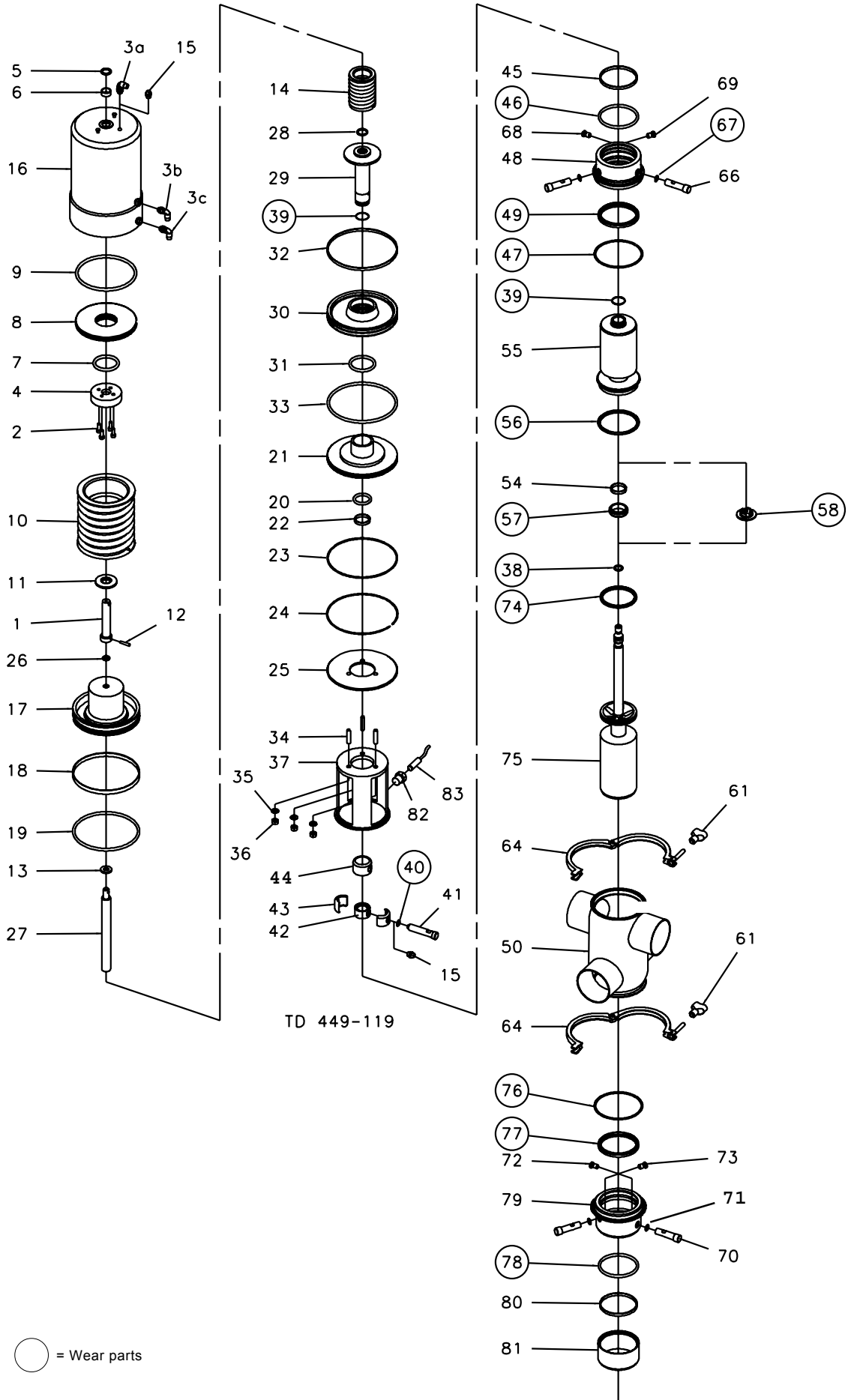
TD 449-153

Wear Parts

Pos.	Qty.	Denomination	PMO 2"	PMO 2½" PMO 3"	PMO 4"
38	1	O-ring, EPDM	9611-99-3555	9611-99-3572	9611-99-3572
39	1	O-ring, EPDM	9611-99-3492		
	1	O-ring, EPDM	9611-99-3493		
	2	O-ring, EPDM		9611-99-3493	9611-99-3493
40	1	O-ring, EPDM	9611-99-3119	9611-99-3119	9611-99-3119
46	1	O-ring, EPDM for Plug Set-up 6	9611-99-3651	9611-99-3652	9611-99-4114
47	1	O-ring, EPDM	9611-99-3636	9611-99-3640	9611-99-3644
	1	O-ring, NBR	9611-99-3637	9611-99-3641	9611-99-3645
	1	O-ring, FPM	9611-99-3638	9611-99-3642	9611-99-3646
	1	O-ring, HNBR	9611-99-3639	9611-99-3643	9611-99-3647
49	1	Lip seal, EPDM for Plug Set-up 6,12	9613-0085-26	9613-0085-31	9613-0085-36
	1	Lip seal, NBR for Plug Set-up 6,12	9613-0085-46	9613-0085-47	9613-0085-37
	1	Lip seal, FPM for Plug Set-up 6,12	9613-0085-28	9613-0085-33	9613-0085-38
	1	Lip seal; HNBR for Plug Set-up 6,12	9613-0085-29	9613-0085-34	9613-0085-39
56	1	Seal ring, EPDM	9613-0086-09	9613-0086-12	9613-0086-19
	1	Seal ring, NBR	9613-0086-07	9613-0086-10	9613-0086-17
	1	Seal ring, FPM	9613-0086-15	9613-0086-16	9613-0086-20
	1	Seal ring, HNBR	9613-0086-08	9613-0086-11	9613-0086-18
57	1	Lip seal, EPDM	9613-0087-11	9613-0087-11	9613-0087-11
	1	Lip seal, NBR	9613-0087-18	9613-0087-18	9613-0087-18
	1	Lip seal, FPM	9613-0087-13	9613-0087-13	9613-0087-13
	1	Lip seal; HNBR	9613-0087-14	9613-0087-14	9613-0087-14
58	1	Spray nozzle, PVDF	9613-0148-01	9613-0148-01	9613-0148-01
67	2	O-ring, EPDM	9611-99-3119	9611-99-3119	9611-99-3119
71	2	O-ring, EPDM	9611-99-3119	9611-99-3119	9611-99-3119
74	1	Seal ring, EPDM	9613-0089-09	9613-0089-12	9613-0089-18
	1	Seal ring, NBR	9613-0089-07	9613-0089-10	9613-0089-16
	1	Seal ring, FPM	9613-0089-13	9613-0089-14	9613-0089-15
	1	Seal ring, HNBR	9613-0089-08	9613-0089-11	9613-0089-17
76	1	O-ring, EPDM	9611-99-3636	9611-99-3640	9611-99-3644
	1	O-ring, NBR	9611-99-3637	9611-99-3641	9611-99-3645
	1	O-ring, FPM	9611-99-3638	9611-99-3642	9611-99-3646
	1	O-ring, HNBR	9611-99-3639	9611-99-3643	9611-99-3647
77	1	Lip seal, EPDM for Plug Set-up 6,12	9613-0085-26	9613-0085-31	9613-0085-36
	1	Lip seal, NBR for Plug Set-up 6,12	9613-0085-46	9613-0085-47	9613-0085-37
	1	Lip seal, FPM for Plug Set-up 6,12	9613-0085-28	9613-0085-33	9613-0085-38
	1	Lip seal; HNBR for Plug Set-up 6,12	9613-0085-29	9613-0085-34	9613-0085-39
78	1	O-ring, EPDM for Plug Set-up 6	9611-99-3651	9611-99-3652	9611-99-4114

Exploded drawing

4



Reg.: 2003-06
Intro.: 2000-01

Unique PMO Sanitary Mixproof Valve

Parts

Pos.	Qty.	Denomination	PMO 2"	PMO 2½"	PMO 3"	PMO 4"
1	1	Upper stem	9613-0101-02	9613-0074-01	9613-0074-01	9613-0074-02
2	4	Screw		9611-99-3342	9611-99-3342	9611-99-3342
3a	1	Air fitting yellow	9611-99-4171	9611-99-4171	9611-99-4171	9611-99-4171
3b	1	Air fitting blue	9611-99-3780	9611-99-3780	9611-99-3780	9611-99-3780
3c	1	Air fitting red	9611-99-4172	9611-99-4172	9611-99-4172	9611-99-4172
4	1	Stop for upper piston		9613-0053-01	9613-0053-01	9613-0053-02
5	1	O-ring, NBR	9611-99-3499	9611-99-3499	9611-99-3499	9611-99-3499
6	1	Guide ring, Turcite	9613-0084-08	9613-0084-08	9613-0084-08	9613-0084-08
7	1	O-ring, NBR		9611-99-3514	9611-99-3514	9611-99-3514
8	1	Upper piston		9613-0056-01	9613-0056-01	9613-0056-02
9	1	O-ring, NBR		9611-99-3512	9611-99-3512	9611-99-3513
10	1	Spring assembly	9613-0125-01	9613-0075-01	9613-0075-01	9613-0256-03
11	1	Distance spacer	9613-0102-02			
12	1	Pin	9611-99-4197	9611-99-4198	9611-99-4198	9611-99-4198
13	1	Washer	9611-99-3594	9611-99-3595	9611-99-3595	9611-99-3596
14	1	Spring assembly	9613-0131-02	9613-0095-02	9613-0095-02	9613-0095-02
15	1	Plug	9613-0806-01	9613-0806-01	9613-0806-01	9613-0806-01
16	1	Cylinder (with 3A marking)	9613-0126-04	9613-0051-04	9613-0051-04	9613-0150-07
17	1	Main piston	9613-0132-01	9613-0057-01	9613-0057-01	9613-0159-01
18	1	Guide ring, Turcite	9613-0084-09	9613-0084-10	9613-0084-10	9613-0084-11
19	1	O-ring, NBR	9611-99-3505	9611-99-3507	9611-99-3507	9611-99-3509
20	1	O-ring, NBR	9611-99-3503	9611-99-3607	9611-99-3607	9611-99-3607
21	1	Bottom	9613-0140-01	9613-0054-01	9613-0054-01	9613-0168-01
22	1	Guide ring, Turcite	9613-0084-03	9613-0084-04	9613-0084-04	9613-0084-04
23	1	O-ring, NBR	9611-99-2228	9611-99-1489	9611-99-1489	22340675
24	1	Retaining ring	9613-0248-02	9613-0248-03	9613-0248-03	9613-0248-04
25	1	Cover disk	9613-0058-02	9613-0058-03	9613-0058-03	9613-0058-04
26	1	O-ring, NBR	9611-99-3528	9611-99-3495	9611-99-3495	9611-99-3530
27	1	Inner stem	9613-0106-03	9613-0073-03	9613-0073-03	9613-0073-02
28	1	O-ring	9611-99-3495	9611-99-0030	9611-99-0030	9611-99-0030
29	1	Piston rod	9613-0134-02	9613-0060-02	9613-0060-02	9613-0060-02
30	1	Lower piston	9613-0138-01	9613-0055-01	9613-0055-01	9613-0166-01
31	1	O-ring, NBR	42153	42153	42153	42153
32	1	Guide ring, Turcite	9613-0084-05	9613-0084-06	9613-0084-06	9613-0084-07
33	1	O-ring, NBR	22341275	9611-99-3508	9611-99-3508	9611-99-3510
34	3	Bolt	9611-99-3618	9611-99-3618	9611-99-3618	9611-99-3618
35	3	Washer	9611-99-3594	9611-99-3594	9611-99-3594	9611-99-3594
36	3	Nut	9611-99-0360	9611-99-0360	9611-99-0360	9611-99-0360
41	1	Flushing tube	31357-1017-2	31357-1017-2	31357-1017-2	31357-1017-2
42	1	Spindle liner	9613-0335-01	9613-0090-01	9613-0090-01	9613-0090-01
43	2	Clamp	9613-0336-01	9613-0092-01	9613-0092-01	9613-0092-01
44	1	Lock	9613-0091-02	9613-0091-01	9613-0091-01	9613-0091-01
45	1	Guide ring, PTFE plug set-up 6,12	9613-0084-14	9613-0084-15	9613-0084-15	9613-0084-21
48	1	Upper sealing element plug set-up 12	9613-0064-04	9613-0188-04	9613-0188-04	9613-0713-01
	1	Upper sealing element plug set-up 6	9613-0492-02	9613-0493-02	9613-0493-02	9613-0714-01
54	1	Guide ring, PTFE	9613-0084-02	9613-0084-02	9613-0084-02	9613-0084-02
55	1	Upper plug set-up 12	9613-0701-01	9613-0702-01	9613-0702-03	9613-0704-01
	1	Upper plug set-up 6	9613-0701-02	9613-0702-02	9613-0702-04	9613-0704-02



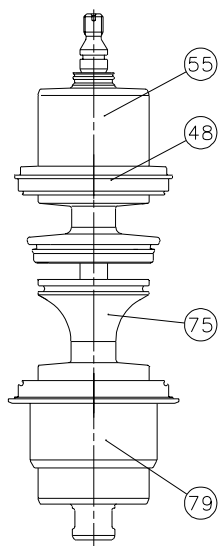
Unique PMO Sanitary Mixproof Valve

Parts

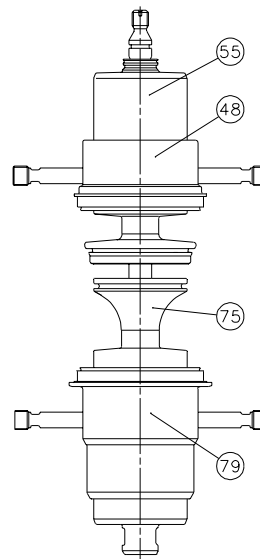
6

Pos.	Qty.	Denomination	PMO 2"	PMO 2½"	PMO 3"	PMO 4"
60	2	Hexnut	9613-0232-01	9613-0232-01	9613-0232-01	9613-0232-01
61	2	Wingnut	9612-5580-01	9612-5580-01	9612-5580-01	9612-5580-01
64	2	Clamp without nut	9613-0216-01	9613-0217-01	9613-0217-01	9613-0218-01
66	2	Flushing tube	9613-0079-03	9613-0079-04	9613-0079-04	9613-0079-05
68	1	Drain	9613-0080-01	9613-0080-01	9613-0080-01	9613-0080-01
69	1	Nozzle	9613-0080-02	9613-0080-02	9613-0080-02	9613-0080-02
70	2	Flushing tube	9613-0079-03	9613-0079-04	9613-0079-04	9613-0079-05
72	1	Drain	9613-0080-01	9613-0080-01	9613-0080-01	9613-0080-01
73	1	Nozzle	9613-0080-02	9613-0080-02	9613-0080-02	9613-0080-02
75	1	Lower plug plug set-up 12	9613-0705-01	9613-0706-01	9613-0707-01	9613-0708-01
	1	Lower plug plug set-up 6	9613-0705-02	9613-0706-02	9613-0707-02	9613-0708-02
79	1	Lower sealing element plug set-up 12	9613-0241-04	9613-0243-04	9613-0243-04	9613-0715-01
	1	Lower sealing element plug set-up 6	9613-0496-02	9613-0497-02	9613-0497-02	9613-0716-01
80	1	Guide ring, PTFE plug set-up 6,12	9613-0084-14	9613-0084-15	9613-0084-15	9613-0084-21
81	1	Cover plug set-up 6,12	9613-0490-06	9613-0490-07	9613-0490-07	9613-0490-16
82	1	Bolt for indication	9613-0926-02	9613-0926-01	9613-0926-01	9613-0926-01
83	1	Sensor for indication	9611-99-4397	9611-99-4397	9611-99-4397	9611-99-4397

Plug set-up



Plug set-up 12

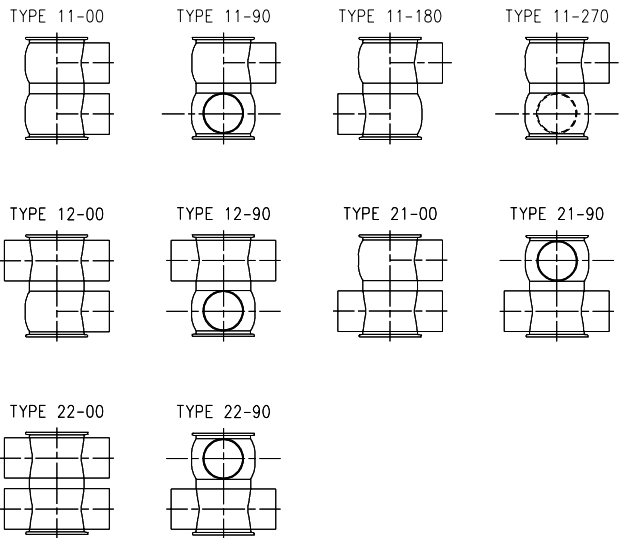


Plug set-up 6

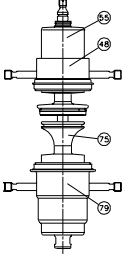
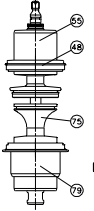
Reg.: 2003-06
Intro.:

Parts

Pos.	Qty.	Denomination	PMO 2"	PMO 2½"	PMO 3"	PMO 4"
37	1	Intermediate piece plug set-up 12	9613-0191-21	9613-0192-13	9613-0192-13	9613-0193-17
	1	Intermediate piece plug set-up 6	9613-0191-22	9613-0192-14	9613-0192-14	9613-0193-18
50	1	Valve body 11-00	9613-0709-01	9613-0710-01	9613-0711-01	9613-0712-01
	1	Valve body 12-00	9613-0709-05	9613-0710-05	9613-0711-05	9613-0712-05
	1	Valve body 21-00	9613-0709-07	9613-0710-07	9613-0711-07	9613-0712-07
	1	Valve body 22-00	9613-0709-09	9613-0710-09	9613-0711-09	9613-0712-09
	1	Valve body 11-90	9613-0709-02	9613-0710-02	9613-0711-02	9613-0712-02
	1	Valve body 12-90	9613-0709-06	9613-0710-06	9613-0711-06	9613-0712-06
	1	Valve body 21-90	9613-0709-08	9613-0710-08	9613-0711-08	9613-0712-08
	1	Valve body 22-90	9613-0709-10	9613-0710-10	9613-0711-10	9613-0712-10
	1	Valve body 11-180	9613-0709-03	9613-0710-03	9613-0711-03	9613-0712-03
	1	Valve body 11-270	9613-0709-04	9613-0710-04	9613-0711-04	9613-0712-04



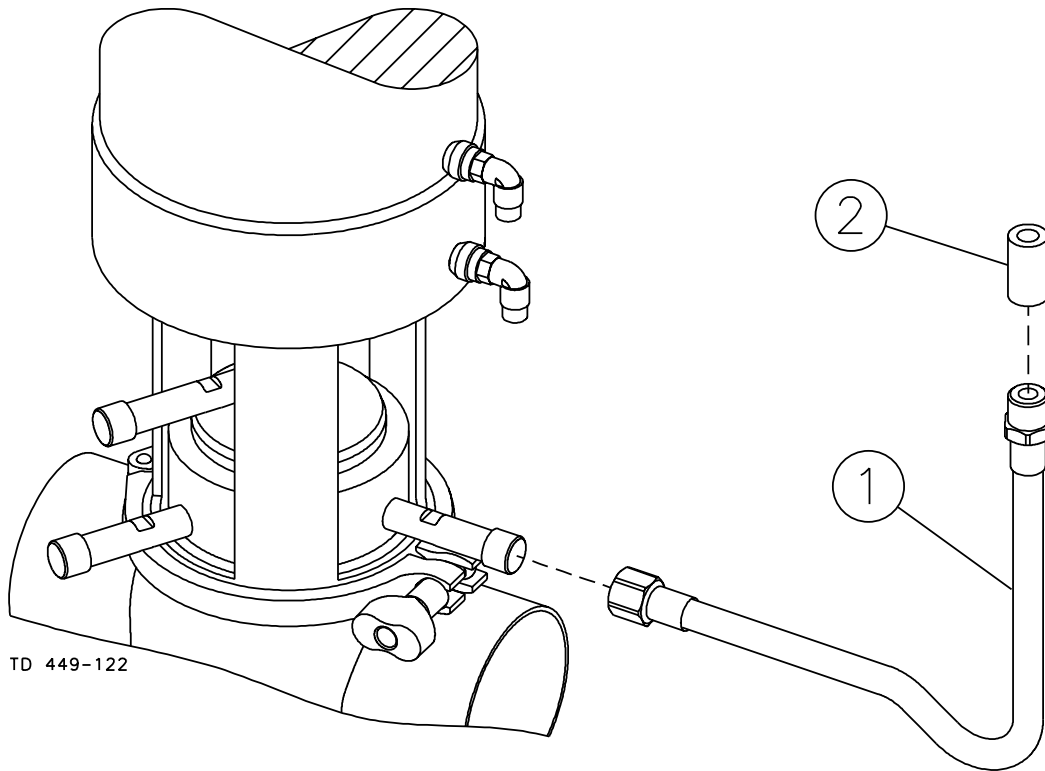
Service kits for Product Wetted Parts

Denomination	PMO 2"	PMO 2½" PMO 3"	PMO 4"
Plug set-up 6			
 EPDM	9611-92-6001	9611-92-6002	9611-92-6003
NBR	9611-92-6004	9611-92-6005	9611-92-6006
FPM	9611-92-6007	9611-92-6008	9611-92-6009
HNBR	9611-92-6010	9611-92-6011	9611-92-6012
Plug set-up 12			
 EPDM	9611-92-6013	9611-92-6014	9611-92-6015
NBR	9611-92-6016	9611-92-6017	9611-92-6018
FPM	9611-92-6019	9611-92-6020	9611-92-6021
HNBR	9611-92-6022	9611-92-6023	9611-99-6024

Reg.: 2001-07
Intro.: 2000-01

**Installation Kit B for
Unique PMO Sanitary Mixproof Valve**

10



TD 449-122

Reg.: 2001-07
Intro.: 2000-01



CSI

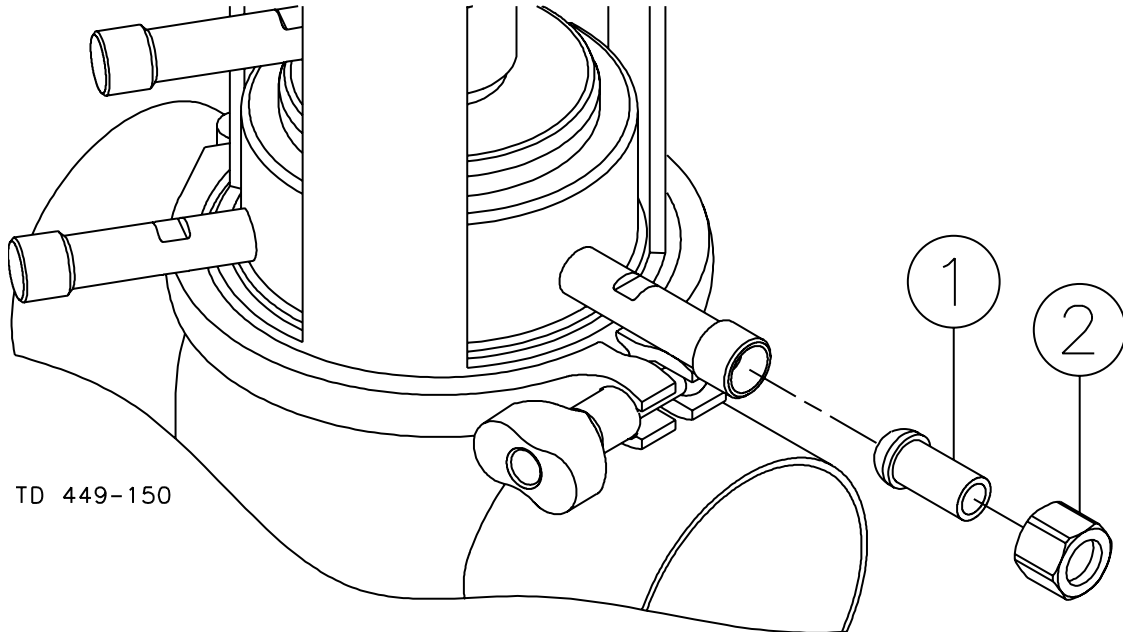
CONTACT CSI FOR MORE INFORMATION | CSIDESIGNS.COM | SALES@CSIDESIGNS.COM | 417.831.1411

Installation Kit B for *Unique* PMO Sanitary Mixproof Valve

Pos.	Qty.	Denomination	31357-0746-6
1	1	Hose PTFE w. s.s. weave	31357-0745-1
2	1	Welding socket	9611-99-0917

**Installation Kit C for
Unique PMO Sanitary Mixproof Valve**

12



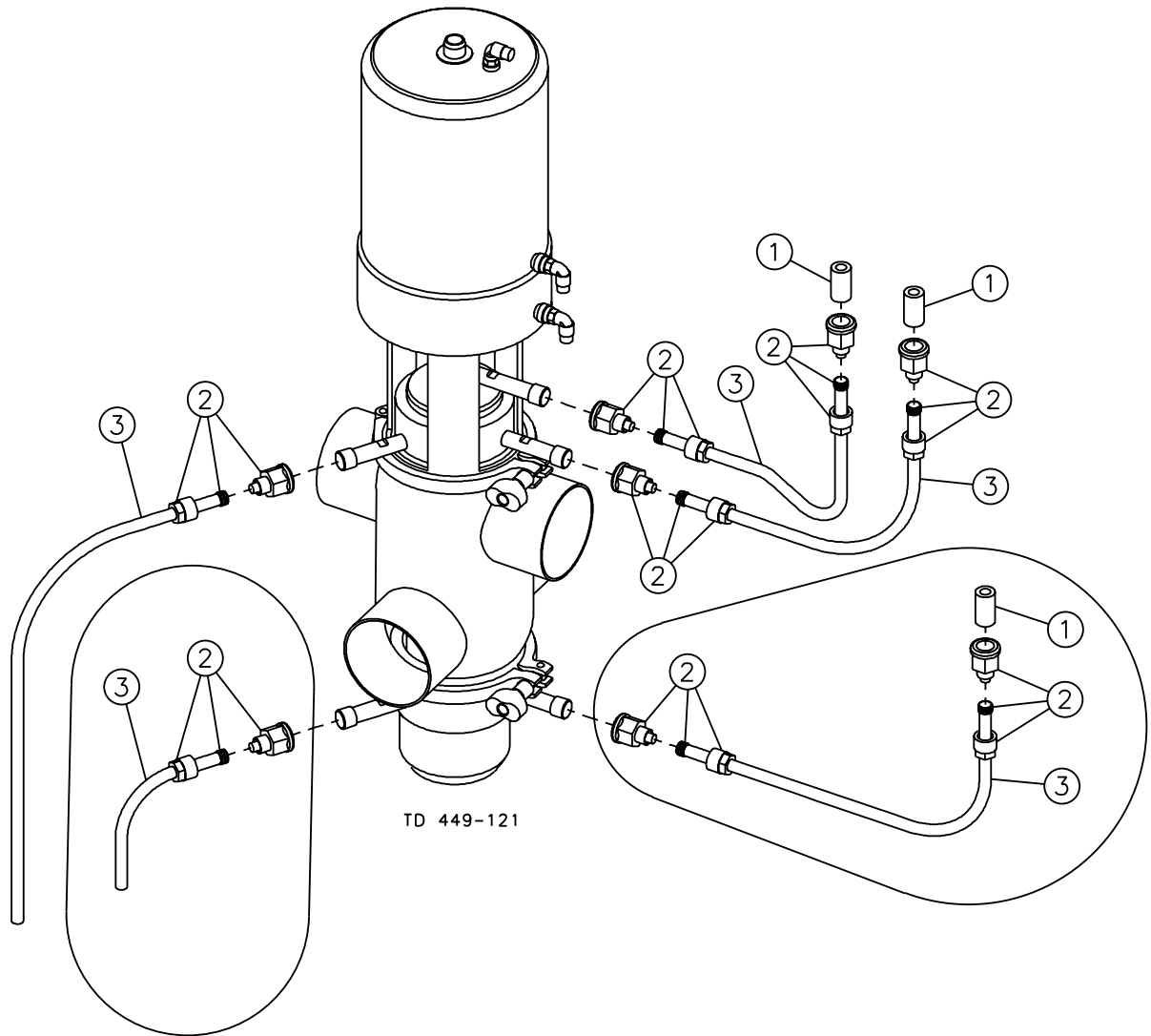
Reg.: 2003-06
Intro.:2000-01

**Installation Kit C for
Unique PMO Sanitary Mixproof Valve**

Pos.	Qty.	Denomination	31357-1005-3
1	1	Welding liner	31357-0743-1
2	1	Nut	31357-0744-1

Installation Kit G for Unique PMO Sanitary Mixproof Valve

14



Reg.: 2003-06
Intro.: 2000-01



Installation Kit G for *Unique* PMO Sanitary Mixproof Valve

Installation kit G1

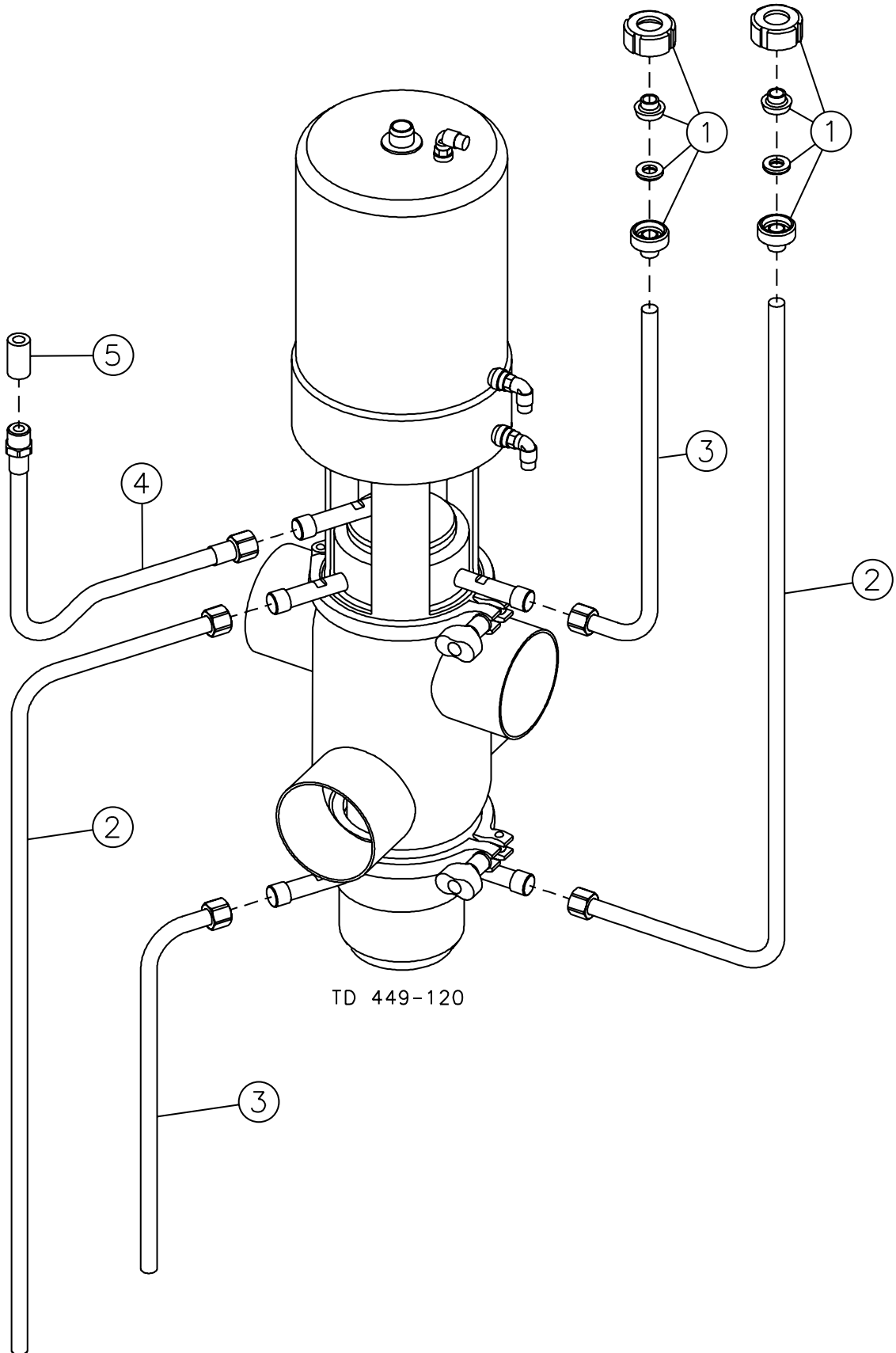
Pos.	Qty.	Denomination	9613-0557-01
1	1	Welding male part, AISI 316	31357-0747-1
2	2	3/8" 10 mm Female PVDF	9611-99-2372
3	1	10 mm PVDF hose, 1m	9611-99-2607

Installation kit G2

Pos.	Qty.	Denomination	9613-0557-02
2	1	3/8" 10 mm Female PVDF	9611-99-2372
3	1	10 mm PVDF hose, 1m	9611-99-2607

Installation Kit H and B for
Unique PMO Sanitary Mixproof Valve

16



Reg.: 2003-06
Intro.: 2000-01

Installation Kit H and B for *Unique* PMO Sanitary Mixproof Valve

Installation kit H

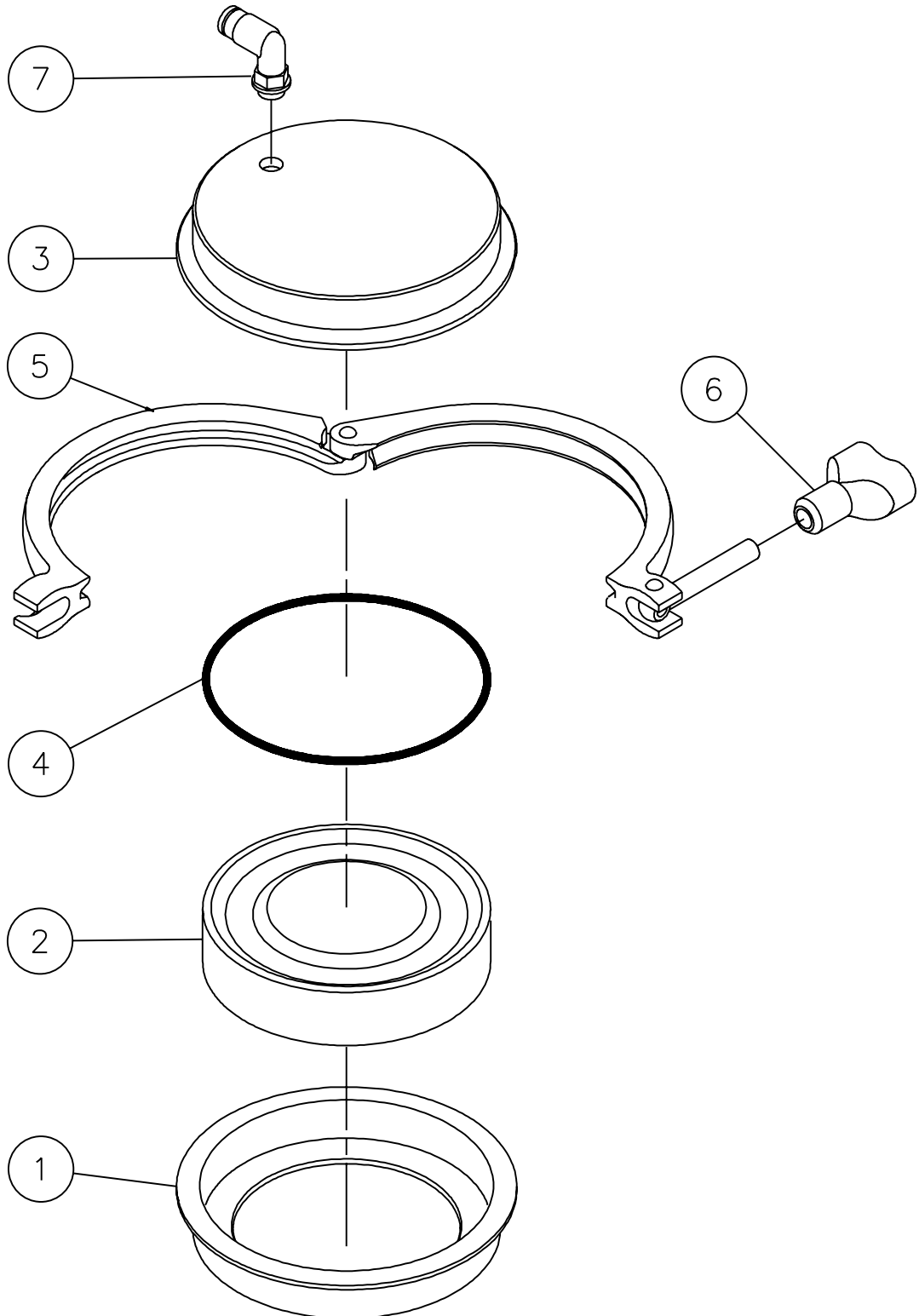
Pos.	Qty.	Denomination	9613-0557-03
1	1	DIN union DN10	9611-30-579-1
	1	Nut, DN10	9611-30-642-0
	1	Welding liner DIN, DN10	9611-30-595-0
	1	Packing NBR, DN10	527346-01
	1	Male part DIN, DN10	9611-30-590-0
2	1	12 mm CIP pipe long	31357-1001-4
3	1	12 mm CIP pipe	31357-1001-3

Installation kit B

Pos.	Qty.	Denomination	31357-0746-6
4	1	Hose PTFE w. s.s. weave	31357-0745-1
5	1	Welding socket	9611-99-0917

**Axial Installation Tool for
Unique PMO Sanitary Mixproof Valve**

18



TD 449-038

Reg.: 2000-12
Intro.: 2000-01

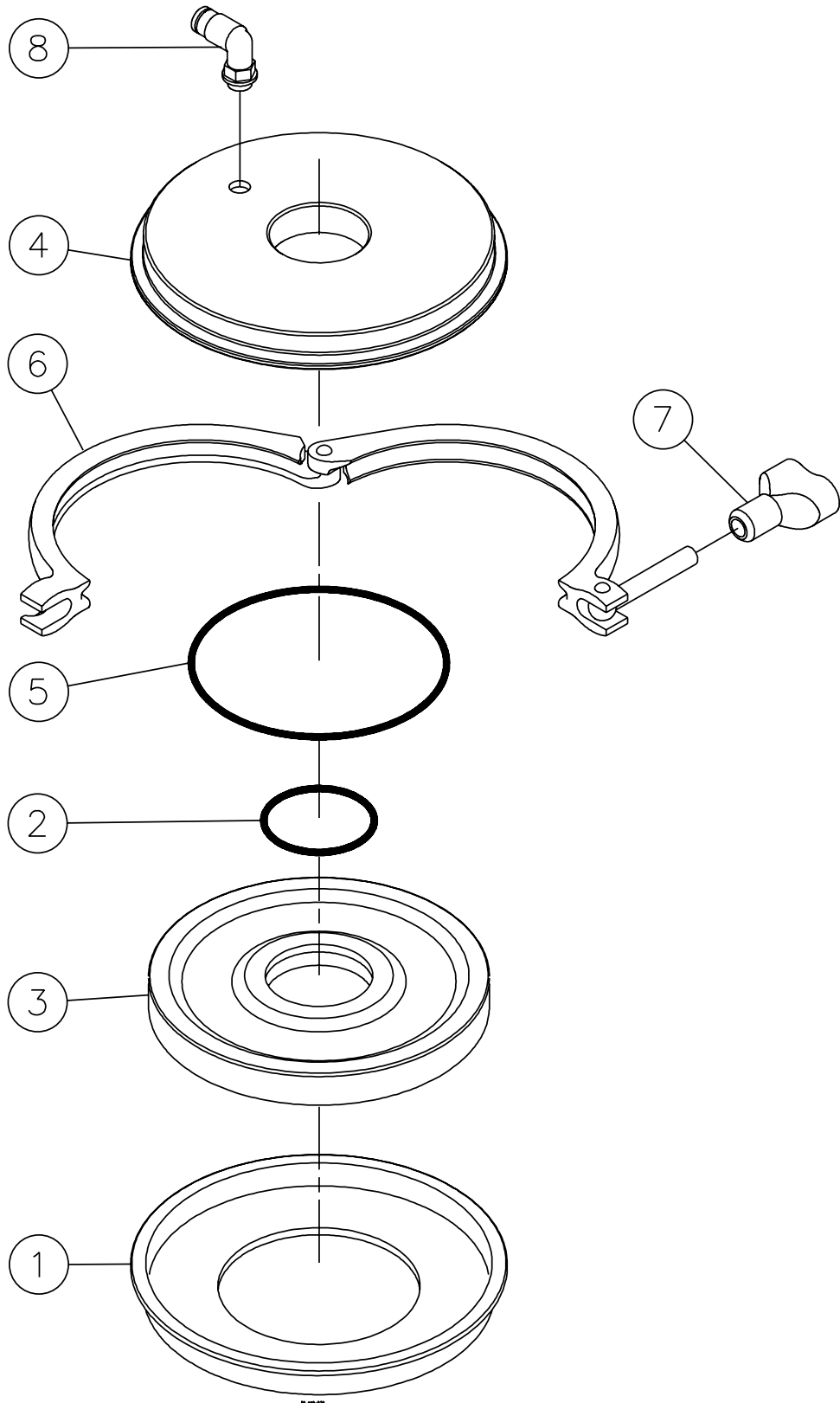
Axial Installation Tool for *Unique* PMO Sanitary Mixproof Valve

Pos.	Qty.	Denomination	PMO 2"	PMO 2½" PMO 3"	PMO 4"
			9613-0505-02	9613-0505-03	9613-0505-07
1	1	Lower part	9613-0506-01	9613-0509-01	9613-0722-01
2	1	Piston	9613-0508-01	9613-0511-01	9613-0721-01
3	1	Upper part	9613-0503-01	9613-0510-01	9613-0720-01
4	1	O-ring, NBR	9611-99-3703	9611-99-3349	9611-99-4113
5	1	Clamp	9613-0216-01	9613-0217-01	9613-0218-01
6	1	Wingnut	9612-5580-01	9612-5580-01	9612-5580-01
7	1	Air fitting	9611-99-1988	9611-99-1988	9611-99-1988

900-115/0

Radial Installation Tool for *Unique* PMO Sanitary Mixproof Valve

20



Reg.: 2000-12
Intro.: 2000-01

Radial Installation Tool for *Unique* PMO Sanitary Mixproof Valve

Pos.	Qty.	Denomination	PMO 2"	PMO 2½" PMO 3"	PMO 4"
			9613-0535-02	9613-0535-03	9613-0535-07
1	1	Lower part	9613-0532-01	9613-0534-01	9613-0719-01
2	1	O-ring, NBR	9611-99-3705	9611-99-3705	9611-99-3705
3	1	Piston	9613-0531-01	9613-0533-01	9613-0718-01
4	1	Upper part	9613-0530-01	9613-0530-01	9613-0717-01
5	1	O-ring, NBR	9611-99-3349	9611-99-3349	9611-99-4113
6	1	Clamp	9613-0217-01	9613-0217-01	9613-0218-01
7	1	Wingnut	9612-5580-01	9612-5580-01	9612-5580-01
8	1	Air fitting	9611-99-1988	9611-99-1988	9611-99-1988

900-116/0