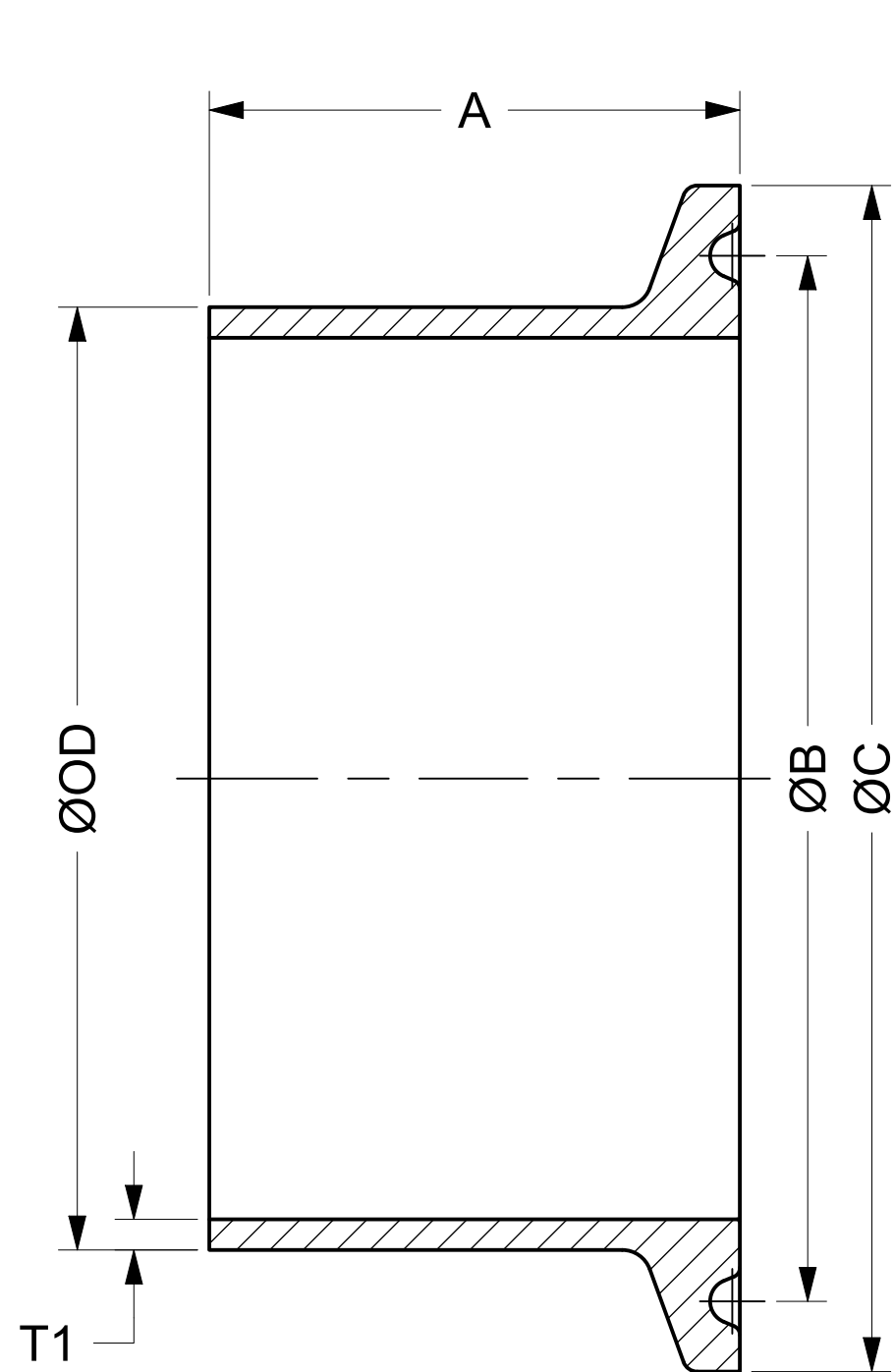
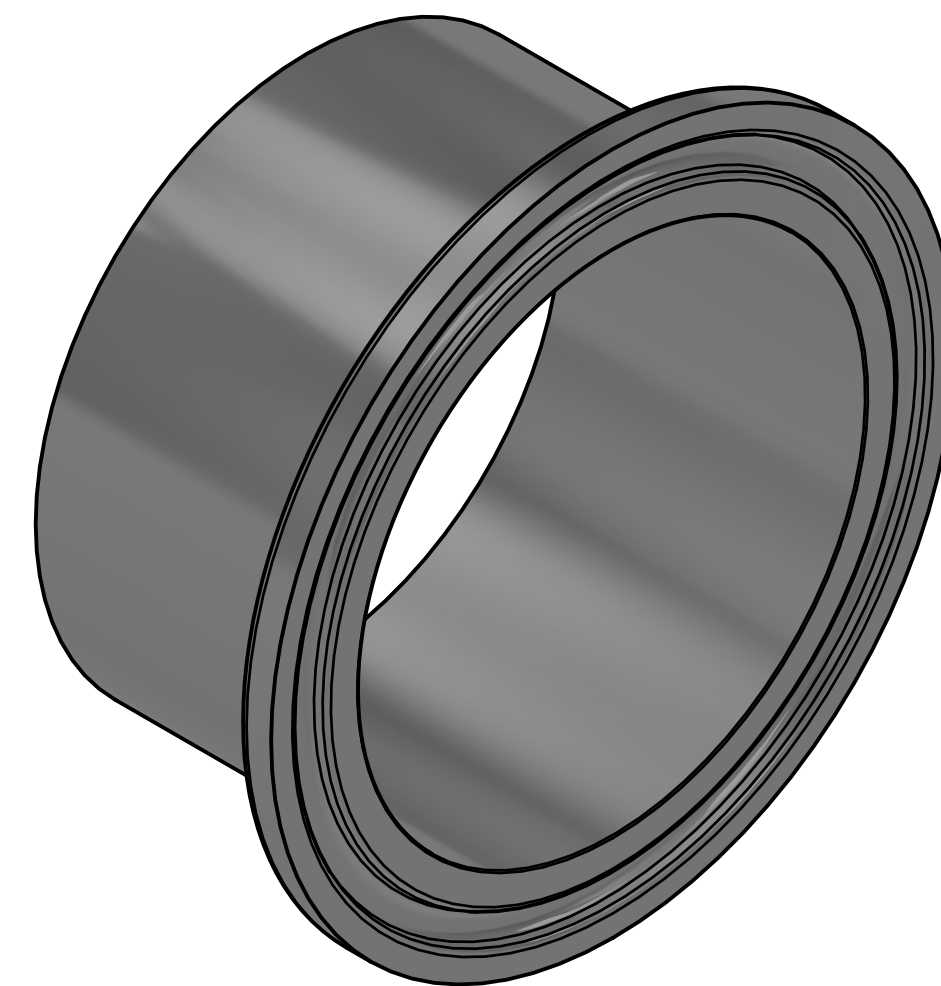
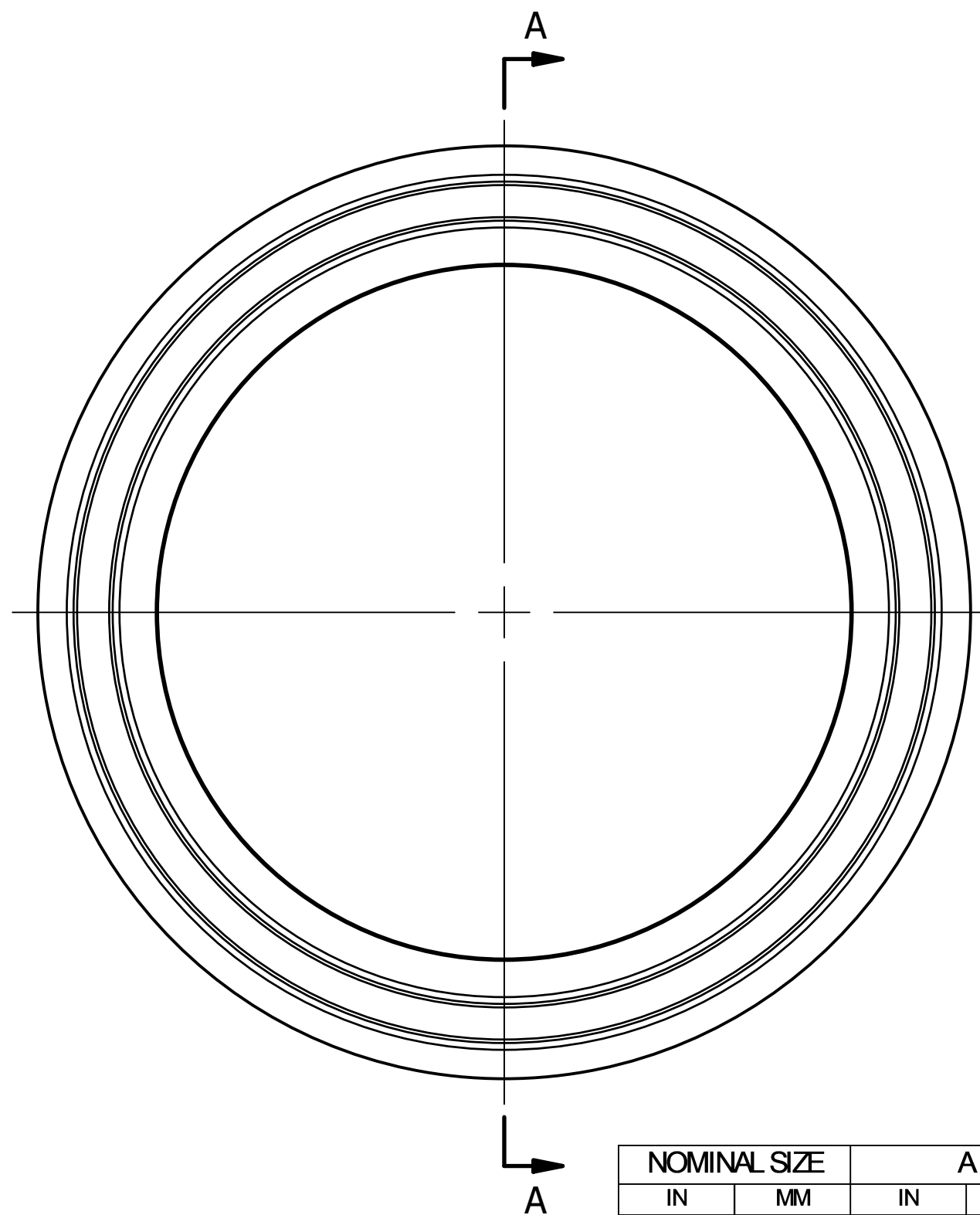


COMMON FINISHES

DESIGNATION	PROCESS CONTACT	NON-PROCESS CONTACT
-1	MILL	MILL
-7	32 RA	32 RA
-PL	20 RA	32 RA
-PO	20 RA EP	32 RA
-PM	15 RA EP	32 RA



SECTION A-A



NOMINAL SIZE		A		B		C		OD		T1	
IN	MM	IN	MM	IN	MM	IN	MM	IN	MM	IN	MM
0.25	6.35	1.125	28.58	0.800	20.32	0.984	24.99	0.250	6.35	0.035	0.89
0.375	9.53	1.125	28.58	0.800	20.32	0.984	24.99	0.375	9.53	0.035	0.89
0.5	12.70	1.125	28.58	0.800	20.32	0.984	24.99	0.500	12.70	0.065	1.65
0.75	19.05	1.125	28.58	0.800	20.32	0.984	24.99	0.750	19.05	0.065	1.65
1	25.40	1.125	28.58	1.718	43.64	1.984	50.39	1.000	25.40	0.065	1.65
1.5	38.10	1.125	28.58	1.718	43.64	1.984	50.39	1.500	38.10	0.065	1.65
2	50.80	1.125	28.58	2.218	56.34	2.516	63.91	2.000	50.80	0.065	1.65
2.5	63.50	1.125	28.58	2.781	70.64	3.047	77.39	2.500	63.50	0.065	1.65
3	76.20	1.125	28.58	3.281	83.34	3.579	90.91	3.000	76.20	0.065	1.65
4	101.60	1.125	28.58	4.344	110.34	4.682	118.92	4.000	101.60	0.083	2.11
5	127.00	1.500	38.10	5.296	134.52	5.687	144.45	5.000	127.00	0.109	2.77
6	152.40	1.500	38.10	6.176	156.87	6.570	166.88	6.000	152.40	0.109	2.77
8	203.20	1.500	38.10	8.165	207.39	8.570	217.68	8.000	203.20	0.109	2.77
10	254.00	1.500	38.10	10.151	257.84	10.570	268.48	10.000	254.00	0.109	2.77
12	304.80	1.500	38.10	12.151	308.64	12.570	319.28	12.000	304.80	0.109	2.77

* INFORMATION PROVIDED IN THIS DRAWING IS FOR REFERENCE ONLY. FINISH AVAILABILITY DEPENDANT ON MATERIAL



PART NO.:

L14AM

DESCRIPTION:

FERRULE, TC X BW

MATERIAL OPTIONS:

304/304L SS
316/316L SS
AL-6XN® - N08367
HASTELLOY® C-22® - N06022

DWG NO.

CDL14AM

CREATION DATE

30JUL2025

SHEET

1 OF 1

REV.

B