

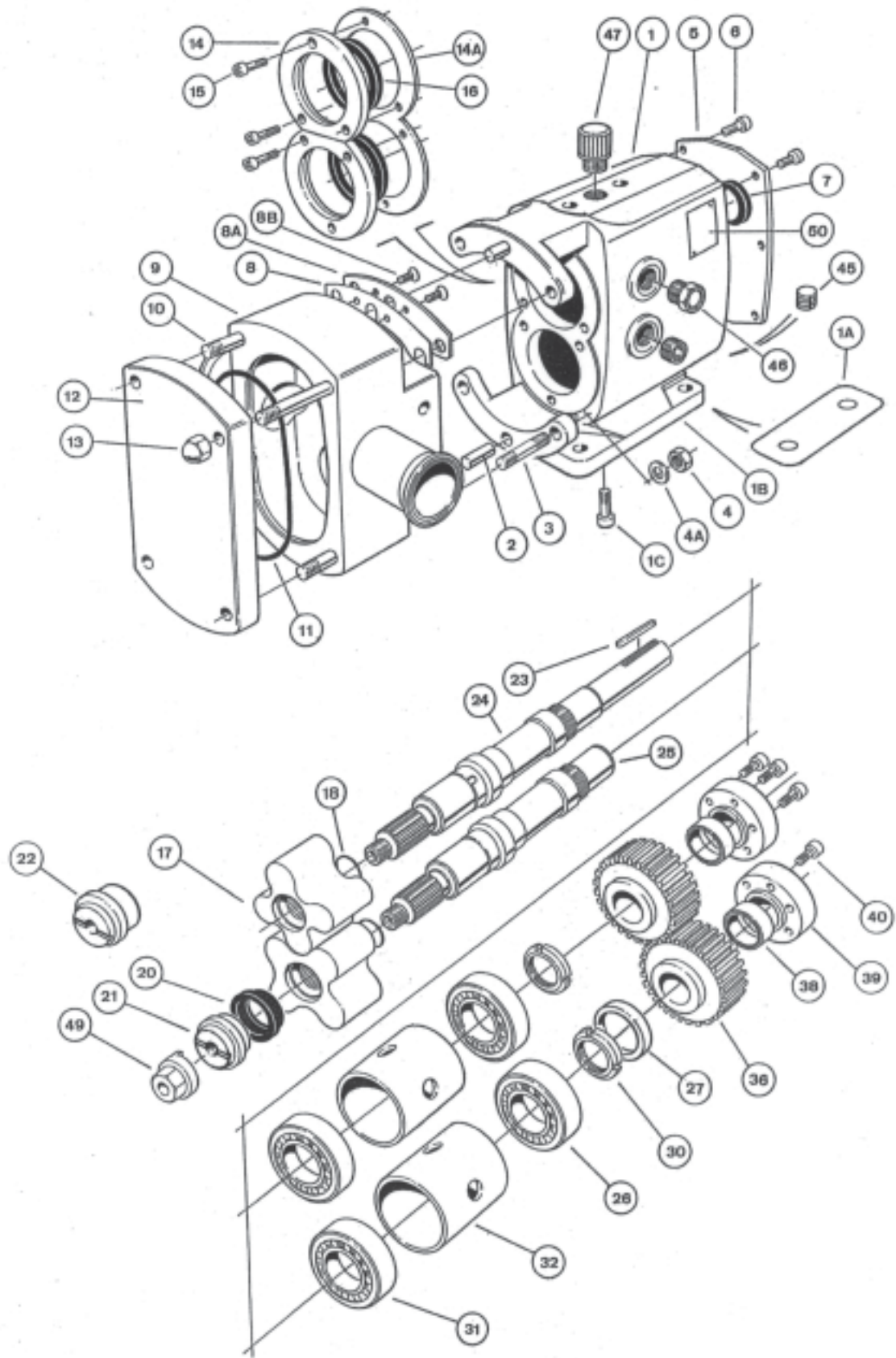


Operating Manual

SX2 Pump Range - Horizontally ported

DRAWING ITEM No.	DESCRIPTION	SX2NLD and SX2WLD			
		QTY	PART No.	ITEM No.	OTHER PUMPS USED ON
1	Gearcase - universal mounting, non EHEDG approved (designated by U)	1	5220.512	9630070054	
1A	Foot gasket , Horizontal port	1	5198.232	9630070244	
1B	Foot	1	5225.302	9630069903	
1C	Bolt, Foot	2	6000.015	9630074794	
2	Dowel	2	5170.025	5170025	SR1, SX1
3	Stud, gearcase	4	6350.136	6350-136	SR2
4	Nut, gearcase stud	4	5330.000	5330-000	SR2/3, SX3
4A	Washer, gearcase stud	4	6400.037	6400037	SR2/3, SX3
5	Cover, gearcase	1	5120.162	9630070008	
6	Screw, rear cover	6	5990.052	5990-052	SX3
7	Lip seal, drive end	1	5310.079	5310079	SR2
8	Shim	1set	6150.292	6150292	
8A	Shim retainer	2	6150.282	9630069365	
8B	Shim retainer screws	4	6000.010	9630050533	SR1-6, SX1/3-7
9	Rotorcase, Tri-Clamp, SX2NLD	1	9005.512S	9630069781	
9	Rotorcase, Tri-Clamp, SX2WLD	1	9005.513S	9630086987	
10	Stud, rotorcase	4	6350.094	6350094	SR2
11	Compression joint, front cover	1	5381.201	5381-201	
			5381.204	9630070194	
			5381.205	5381-205	
12	Cover, rotorcase	1	5130.432	9630069665	
13	Dome nut, front cover	4	5340.407	5340407	SR2-5, SX3-5
14	Retainer, seal	2	5560.082	9630069355	
14A	Gasket	1	5198.222	9630069357	
15	Screw, front seal carrier	6	5990.052	5990-052	SX3
16	Lip seal, gland end	2	5310.107	5310107	
17	Rotor	2	5780.013E	5780-013E	
			5780.013K	5780-013K	
			5780.013R	5780-013R	
			5780.018C	9630075284	
			5780.018G	5780-018G	
18	'O' Ring, rotor sealing shaft end	2	883155108	9630035241	
			1554.018	9630074203	
			1555.018	9630074202	
20	Cup seal, rotor sealing	2	5382.101	9630096429	
			5382.104	9630069427	
			5382.105	9630069424	
21	Rotor retention device	2	5900.202	5900-202	
22	Rotor retention device	2	5900.212	5900-212	
23	Key	1	5270.007	5270-007	SR2
24	Shaft, drive	1	6110.742	6110-742	
25	Shaft, auxillary	1	6100.742	6100-742	
26	Bearing, rear	2	5080.022	9630069297	
27	Spacer, shaft abutment	1	5670.168.01	9630069959	
30	Nut, Bearing	2	5340.041	5340-041	SR2
31	Bearing, front	2	5080022	9630069297	
32	Spacer, shaft	2	5670.162	9630069353	
36	Timing gear	2	5210.077	9630069305	
38	Torque lockng element	2	5615.015	5615-015	SR2
39	Clamp plate	2	5110.040	5110-040	SR2
40	Caphead screws, clamp plate	6	5990044	5990044	SX1
45	Drain plug, oil	2	5470.001	9630024417	SX1/3/4
46	Sight level, oil	1	5480.001	5480-001	SR1-3, SX1/3-7
47	Filler plug, oil	1	31491.0052.1	31491-0052-1	SR1-3, SX1/3-7
49	Rotor retainer removal tool	1	6380.191	6380-191	SX1/3

Horizontally ported pump SX2



Operating Manual

SX2 Pump Range - Vertically ported

<http://www.csidesigns.com>

DRAWING ITEM No.	DESCRIPTION	SX2NLD and SX2WLD				
		QTY	PART No.	ITEM No.	OTHER PUMPS USED ON	
1	Gearcase - universal mounting, non EHEDG approved (designated by U)	1	5220.512	9630070054		
1	Gearcase - dedicated vertically ported, EHEDG approved (designated by H)	1	5220-522	9630070056		
1A	Foot gasket	1	5198.232	9630070136		
1B	Foot	1	5225.402	9630069904		
1C	Bolt, Foot	2	6000.015	9630074794		
2	Dowel	2	5170.025	5170025	SR1, SX1	
3	Stud, gearcase	4	6350.136	6350-136	SR2	
4	Nut, gearcase stud	4	5330.000	5330-000	SR2/3, SX3	
4A	Washer, gearcase stud	4	6400.037	6400037	SR2/3, SX3	
5	Cover, gearcase	1	5120.162	9630070008		
6	Screw, rear cover	6	5990.052	5990-052	SX3	
7	Lip seal, drive end	1	5310.079	5310079	SR2	
8	Shim	1set	6150.292	6150292		
8A	Shim retainer	2	6150.282	9630069365		
8B	Shim retainer screws	4	6000.010	9630050533	SR1-6, SX1/3-7	
9	Rotorcase, Tri-Clamp,	SX2NLD	1	9005.512S	9630069781	
9	Rotorcase, Tri-Clamp,	SX2WLD	1	9005.513S	9630086987	
10	Stud, rotorcase		4	6350.094	6350094	SR2
11	Compression joint, front cover	Viton	1	5381.201	5381-201	
		Silicone		5381.204	9630070194	
		EPDM		5381.205	5381-205	
12	Cover, rotorcase		1	5130.432	9630069665	
13	Dome nut, front cover		4	5340.407	5340407	SR2-5, SX3-5
14	Retainer, seal		2	5560.082	9630069355	
14A	Gasket		1	5198.222	9630069357	
15	Screw, front seal carrier		6	5990.052	5990-052	SX3
16	Lip seal, gland end		2	5310.107	5310107	
17	Rotor	2NLD-5 bar	2	5780.013E	5780-013E	
		2NLD-10 bar		5780.013K	5780-013K	
		2NLD-15 bar		5780.013R	5780-013R	
		2WLD-3 bar		5780.018C	9630075284	
		2WLD - 7 bar		5780.018G	5780-018G	
18	'O' Ring, rotor sealing shaft end	Viton	2	883155108	9630035241	
		Silicone		1554.018	9630074203	
		EPDM		1555.018	9630074202	
20	Cup seal, rotor sealing	Viton	2	5382.101	9630096429	
		Silicone		5382.104	9630069427	
		EPDM		5382.105	9630069424	
21	Rotor retention device	2NLD	2	5900.202	5900-202	
22	Rotor retention device	2WLD	2	5900.212	5900-212	
23	Key		1	5270.007	5270-007	SR2
24	Shaft, drive		1	6110.742	6110-742	
25	Shaft, auxillary		1	6100.742	6100-742	
26	Bearing, rear		2	5080.022	9630069297	
27	Spacer, shaft abutment		1	5670.168.01	9630069959	
30	Nut, Bearing		2	5340.041	5340-041	SR2
31	Bearing, front		2	5080022	9630069297	
32	Spacer, shaft		2	5670.162	9630069353	
36	Timing gear		2	5210.077	9630069305	
38	Torque lockng element		2	5615.015	5615-015	SR2
39	Clamp plate		2	5110.040	5110-040	SR2
40	Caphead screws, clamp plate		6	5990044	5990044	SX1
45	Drain plug, oil		2	5470.001	9630024417	SX1/3/4
46	Sight level, oil		1	5480.001	5480-001	SR1-3, SX1/3-7
47	Filler plug, oil		1	31491.0052.1	31491-0052-1	SR1-3, SX1/3-7
49	Rotor retainer removal tool		1	6380.191	6380-191	SX1/3



CSI

CONTACT CSI FOR MORE INFORMATION | CSIDESIGNS.COM | SALES@CSIDESIGNS.COM | 417.831.1411

Vertically ported pump SX2

