



SY Sanitary Transducer with Conduit Housing

Part No: SY070G0041100



Interactive 3D graphic, click to activate and rotate.

Technical Data

Product Code	SY
Range	0-99 psig
Engineering Units	psig
Fitting	1-1/2" Tri-Clamp
Diaphragm Material	316L Stainless Steel (Standard)
Diaphragm Finish	Standard (R=25 microinches)
Cable Length	No Cable

Download Product Information:

USA/Canada: <https://www.anderson-negele.com/us/product-index/>

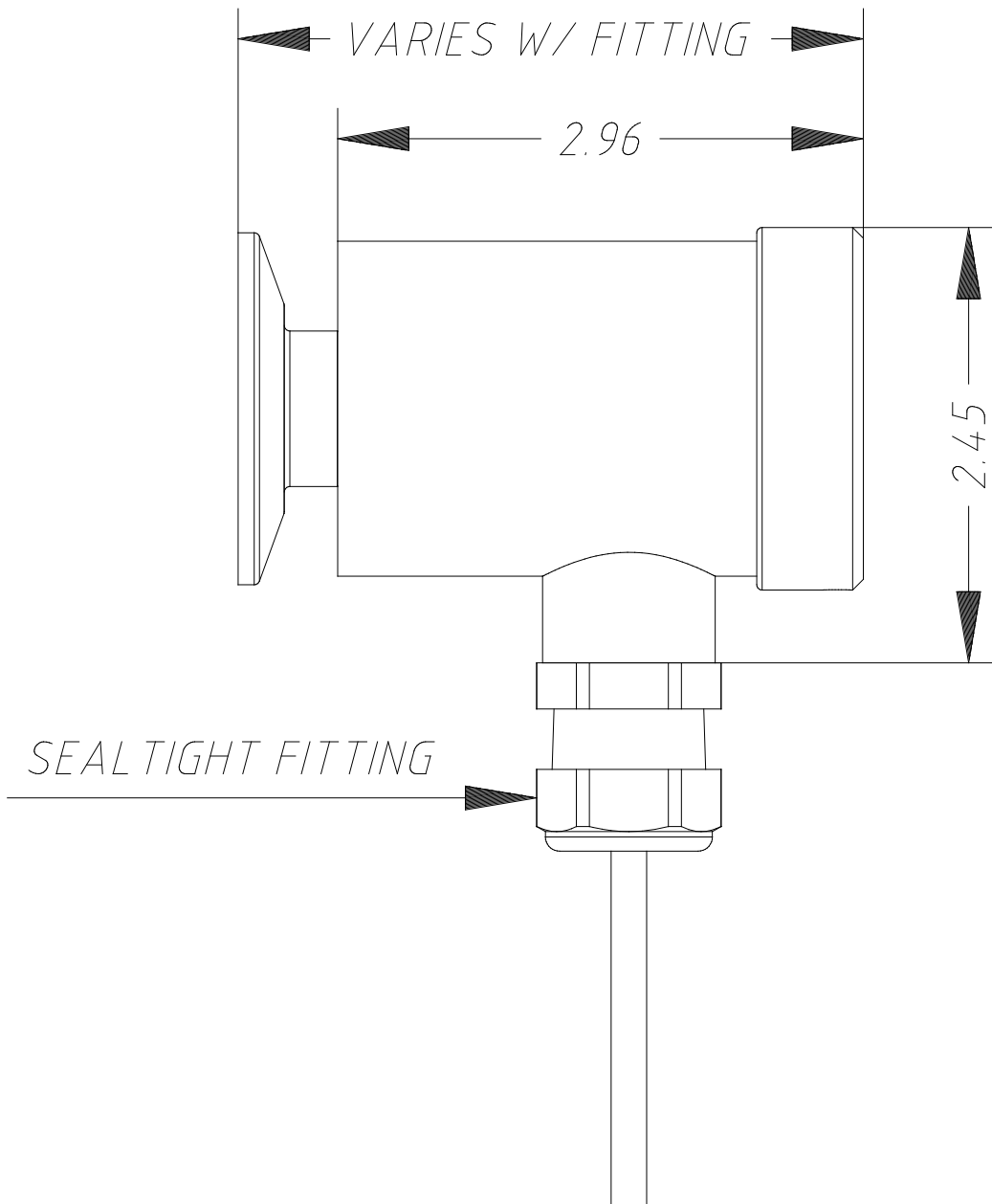
Other countries: <https://www.anderson-negele.com/uk/product-index/>

ANDERSON-NEGELE.COM



SY Sanitary Transducer with Conduit Housing

Technical Drawing





SY Sanitary Transducer with Conduit Housing

2D derivation

