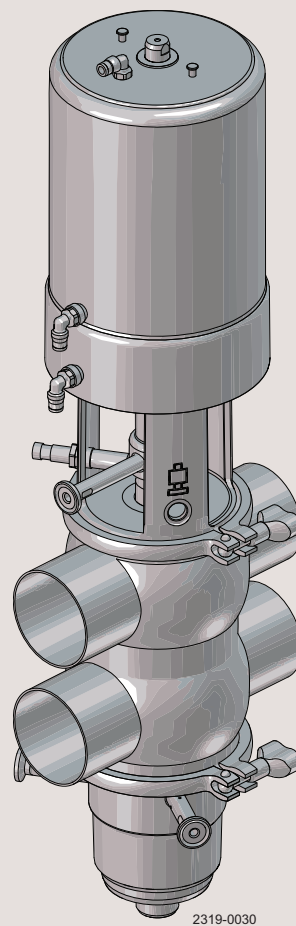




Spare Parts

Unique Mixproof CP-3

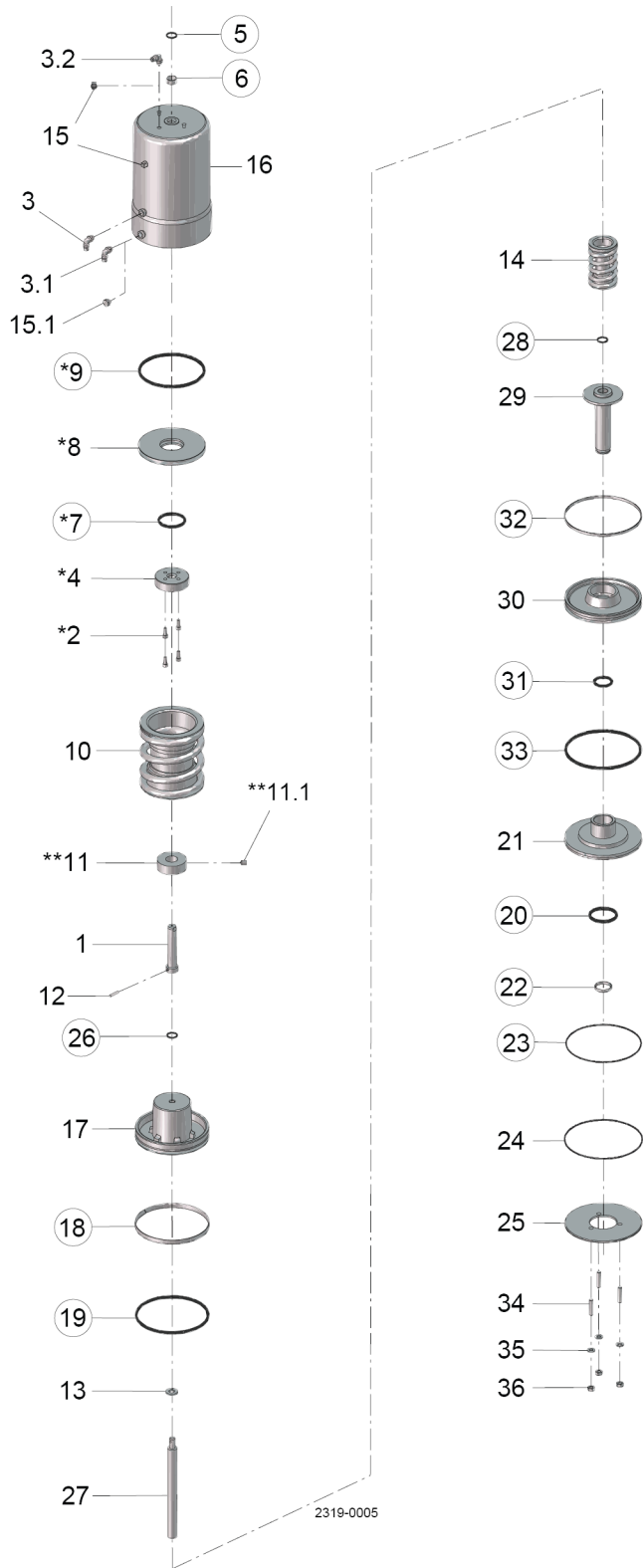


The information herein is correct at the time of issue but may be subject to change without prior notice

1. Introduction	4
2. Actuator	6
3. Plug setup overview	8
4. Plug setup 3	12
5. Plug setup 4	16
6. Plug setup 5	20
7. Plug setup 6	24
8. Plug setup 11	28
9. Plug setup 12	32
10. Plug setup 13	36
11. Plug setup 14	40
12. Plug setup 17	44
13. Plug setup 18	48
14. Plug setup 19 (US - PMO)	52
15. Plug setup 20 (US - PMO)	56
16. Valve body and clamps	60
17. Axial installation tool	62
18. Radial installation tool	64

Thank you for choosing an Alfa Laval product. Due to the modular design of the Unique Mixproof CP-3 valve this spare part document is divided into 4 main categories: actuator, plug setup (product wetted parts), valve bodies, and installation tools.

1. **Actuator**, covers the spare parts for all size actuators with an exploded view of the actuator and detailed spare part listing. Service kits are available for the actuator wear parts and the components included in the kits are denoted with a circle around the position number on the exploded view.
A table for completed actuators by size and function is also shown for replacement or spare actuators
2. **Plug setup**, is broken into two sections: plug setup overview and product wetted parts. The plug setup overview enables the customer to easily find the plug setup of the purchased valve and lists the page number of the components for the given plug setup. All of the product wetted parts are shown in an exploded view and listed by valve size. Mixed sized valves are not included in the plug setup section. For more information on the mixed valves please use configurator in Alfa Laval Anytime or contact your local Authorized Alfa Laval Distributor.
Service kits for wear parts are available per size for all types of valves including mixed sized valves and the components in the kit are denoted with a circle around the position number in the exploded view.
3. **Valve bodies**, lists the part numbers for replacement housings. Mixed sized housings are not included in the valve bodies section. For more information on the mixed housings please use configurator in Alfa Laval Anytime or contact your local Authorized Alfa Laval Distributor.
4. **Installation tools**, lists the part numbers for the seat installation tools. These tools enable the customer to install the plug seat seals in an efficient and effortless manner by use of compressed air. For more information regarding the use of the tools please refer to the instruction manual or contact your local Authorized Alfa Laval Distributor.



Actuator

Pos	Qty	Denomination	1½" Seat ø53.3	2" Seat ø53.3	2½" Seat ø81.3	3" Seat ø81.3	4" Seat ø100.3
Complete actuators - dairy applications							
		Blasted, no seat-lift	9613055481	9613055481	9613099546	9613099546	9613083782
		Blasted, both seat-lift	9613055484	9613055484	9613099549	9613099549	9613083785
		Polished, no seat-lift	9613055485	9613055485	9613099550	9613099550	9613083786
		Polished, both seat-lift	9613055488	9613055488	9613099553	9613099553	9613083789

Complete actuators - non dairy applications							
		Blasted, no seat-lift	9613055489	9613055489	9613099554	9613099554	9613083790
		Blasted, both seat-lift	9613055492	9613055492	9613099557	9613099557	9613083793
		Polished, no seat-lift	9613055493	9613055493	9613099558	9613099558	9613083794
		Polished, both seat-lift	9613055496	9613055496	9613099561	9613099561	9613083797

Pos	Qty	Denomination	1½" Seat ø53.3	2" Seat ø53.3	2½" Seat ø81.3	3" Seat ø81.3	4" Seat ø100.3
1	1	Upper stem	9613010102	9613010102	9613007401	9613007401	9613007402
2	4	Screw			9611993342	9611993342	9611993342
3	1	Kit, air fitting and label, (blue, ThinkTop)	9611926026	9611926026	9611926026	9611926026	9611926026
	1	Kit, air fitting and label, (white, Thinktop V-Series)	8010000754	8010000754	8010000754	8010000754	8010000754
3.1	1	Kit, air fitting and label, (red, ThinkTop)	9611926028	9611926028	9611926028	9611926028	9611926028
	1	Kit, air fitting and label, (blue, Thinktop V-Series)	9611926026	9611926026	9611926026	9611926026	9611926026
3.2	1	Kit, air fitting and label, (yellow)	9611926027	9611926027	9611926027	9611926027	9611926027
4	1	Stop for upper piston			9613005301	9613005301	9613005302
5	□	O-ring, NBR	9611993499	9611993499	9611993499	9611993499	9611993499
6	□	Guide ring, Turcite	9613008408	9613008408	9613008408	9613008408	9613008408
7	□	O-ring, NBR			9611993514	9611993514	9611993514
8	1	Upper piston			9613005601	9613005601	9613005602
9	□	O-ring, NBR			9611993512	9611993512	9611993513
10	1	Spring assembly	9613012501	9613012501	9613007501	9613007501	9613025603
11	1	Distance spacer	9613010202	9613010202			
11.1	1	Screw	9611991763	9611991763			
12	1	Pin	9611994197	9611994197	9611994198	9611994198	9611994199
13	1	Washer	9611993594	9611993594	9611993595	9611993595	9611993596
14	1	Spring assembly	9613013101	9613013101	9613009502	9613009502	9613009502
15	2	Plug	9613414101	9613414101	9613414101	9613414101	9613414101
15.1	1	Plug	9611993709	9611993709	9611993709	9611993709	9611993709
17	1	Main piston	9613013201	9613013201	9613005701	9613005701	9613015901
18	□	Guide ring, Turcite	9613008409	9613008409	9613008410	9613008410	9613008411
19	□	O-ring, NBR	9611993505	9611993505	9611993507	9611993507	9611993509
20	□	O-ring, NBR	9611993503	9611993503	9611993607	9611993607	9611993607
21	1	Bottom	9613014001	9613014001	9613005401	9613005401	9613016801
22	□	Guide ring, Turcite	9613008403	9613008403	9613008404	9613008404	9613008404
23	□	O-ring, NBR	9611992228	9611992228	9611991489	9611991489	22340675
24	1	Retaining ring	9613024802	9613024802	9613024803	9613024803	9613024804
25	1	Cover disk	9613005802	9613005802	9613005803	9613005803	9613005804
26	1	O-ring, NBR	9611993528	9611993528	9611993495	9611993495	9611993530
27	1	Inner stem	9613010602	9613010602	9613007301	9613007301	9613007302
28	□	O-ring	9611993495	9611993495	9611990030	9611990030	9611990030
29	1	Piston rod	9613013401	9613013401	9613006001	9613006001	9613006002
30	1	Lower piston	9613013801	9613013801	9613005501	9613005501	9613016601
31	□	O-ring, NBR	42153	42153	42153	42153	42153
32	□	Guide ring, Turcite	9613008405	9613008405	9613008406	9613008406	9613008407
33	□	O-ring, NBR	22341275	22341275	9611993508	9611993508	9611993510
34	3	Bolt	9611993618	9611993618	9611993618	9611993618	9611993618
35	3	Washer	9611993594	9611993594	9611993594	9611993594	9611993594
36	3	Nut	9611990360	9611990360	9611990360	9611990360	9611990360

900672/3

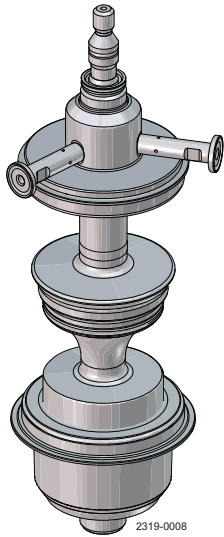
			1½" Seat ø53.3	2" Seat ø53.3	2½" Seat ø81.3	3" Seat ø81.3	4" Seat ø100.3
--	--	--	-------------------	------------------	-------------------	------------------	-------------------

Service kits

□	Actuator service kit	9611926414	9611926414	9611926415	9611926415	9611926416
---	----------------------------	------------	------------	------------	------------	------------

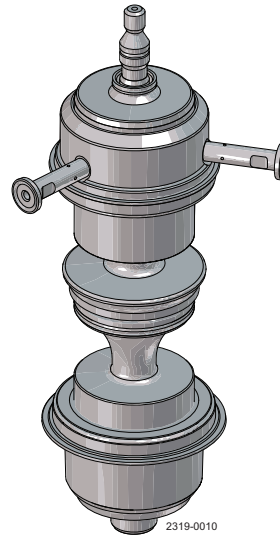
3 Plug setup overview

Plug setup 3



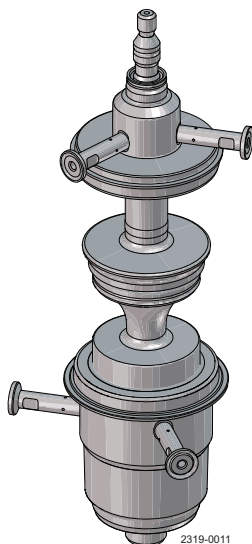
Upper: Unbalanced with SpiralClean OD spindle
Lower: Balanced (blue bottom)
See page 12

Plug setup 4



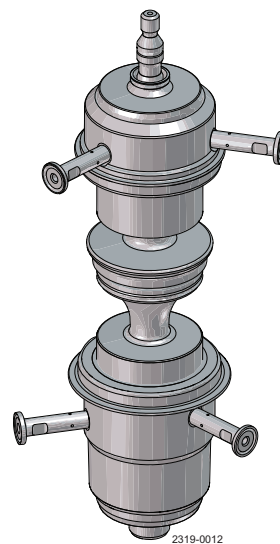
Upper: Balanced with SpiralClean OD balancer
Lower: Balanced (blue bottom)
See page 16

Plug setup 5



Upper: Unbalanced with SpiralClean OD spindle
Lower: Balanced with SpiralClean OD balancer (blue bottom)
See page 20

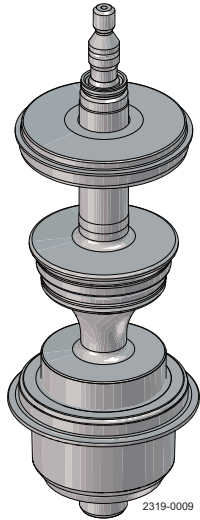
Plug setup 6



Upper: Balanced with SpiralClean OD balancer
Lower: Balanced with SpiralClean OD balancer (blue bottom)
See page 24

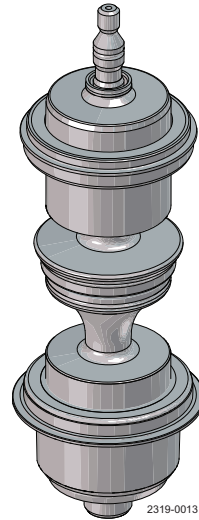
3 Plug setup overview

Plug setup 11



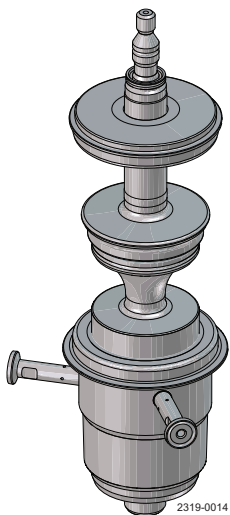
Upper: Unbalanced
Lower: Balanced (blue bottom)
See page 28

Plug setup 12



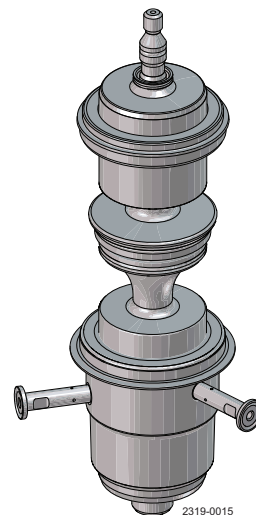
Upper: Balanced
Lower: Balanced (blue bottom)
See page 32

Plug setup 13



Upper: Unbalanced
Lower: Balanced with SpiralClean OD balancer (blue bottom)
See page 36

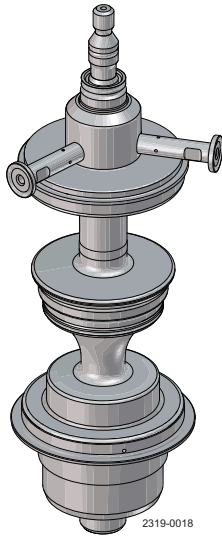
Plug setup 14



Upper: Balanced
Lower: Balanced with SpiralClean OD balancer (blue bottom)
See page 40

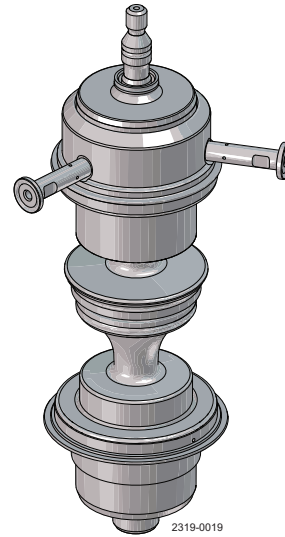
3 Plug setup overview

Plug setup 17



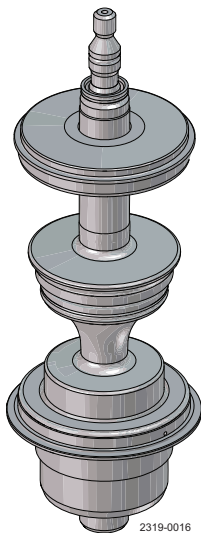
Upper: Unbalanced with SpiralClean OD spindle
Lower: Flush OD Balancer (steel bottom)
See page 44

Plug setup 18



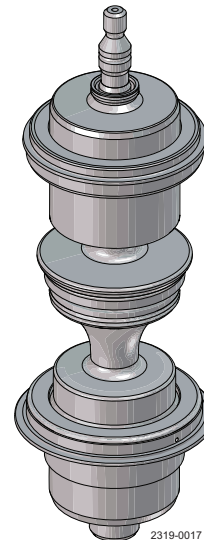
Upper: Balanced with SpiralClean OD balancer
Lower: Flush OD Balancer (steel bottom)
See page 48

Plug setup 19



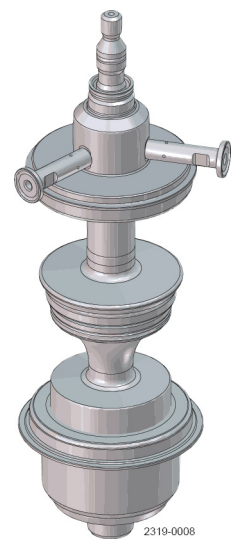
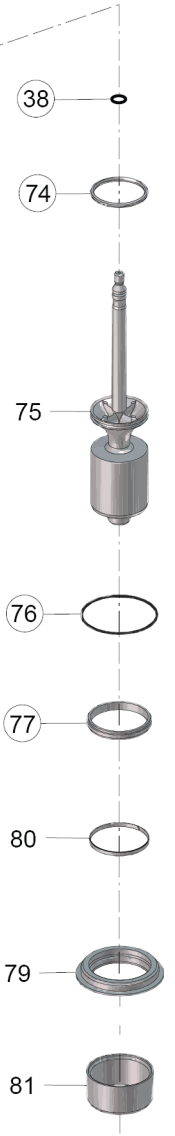
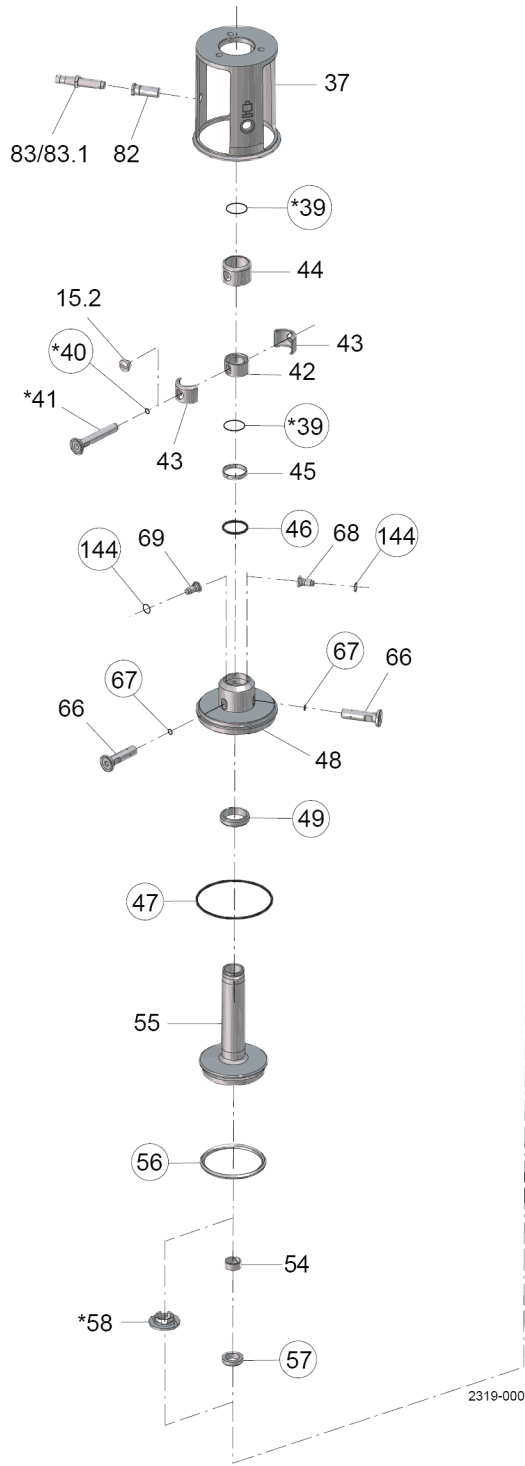
Upper: Unbalanced
Lower: Flush OD Balancer (steel bottom)
See page 52

Plug setup 20



Upper: Balanced
Lower: Flush OD Balancer (steel bottom)
See page 56

Plug setup 3



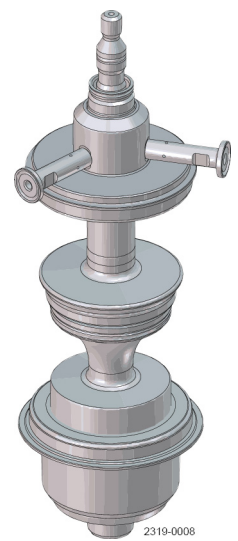
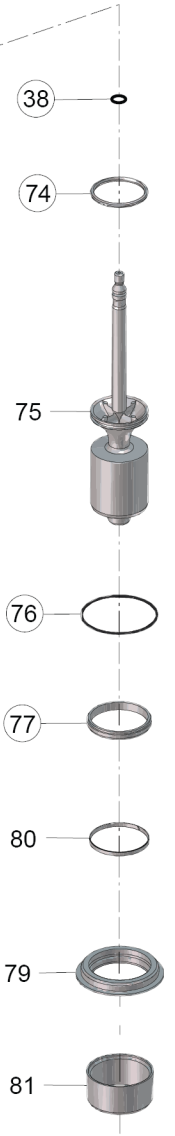
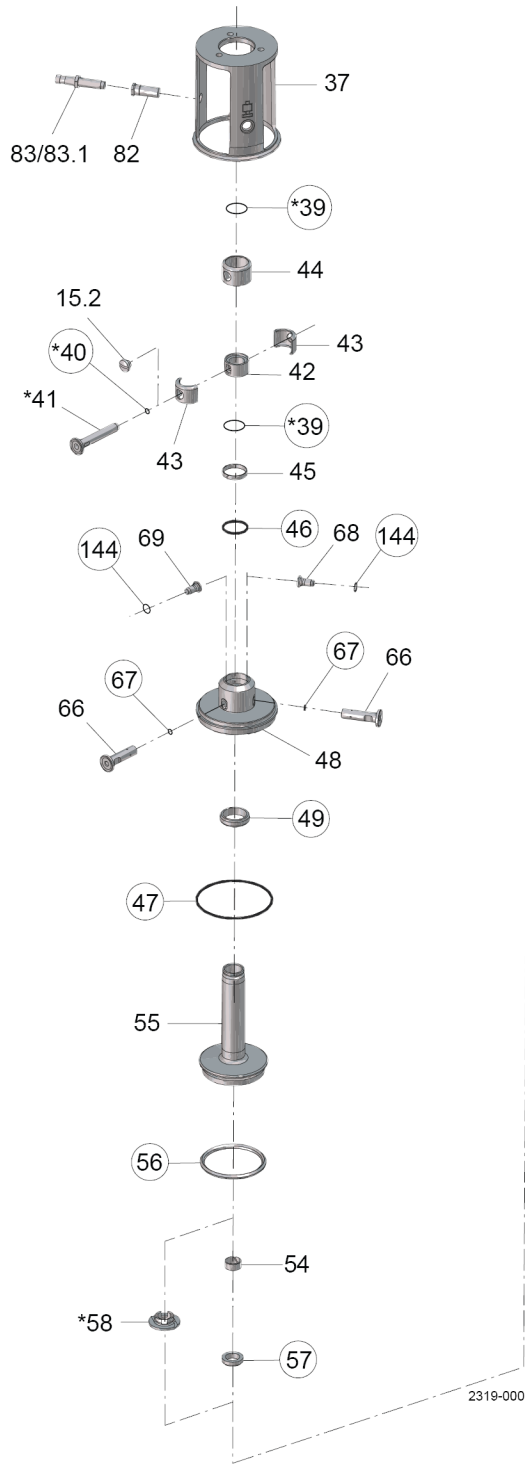
○ = wear parts

* = with SpiralClean in leakage chamber

Plug setup 3

Pos	Qty	Denomination	2"	2½"	3"	4"
Intermediate parts						
37	1	Intermediate piece	9614255902	9614256302	9614256304	9614256702
82	1	Bolt for indication	9614257508	9614257508	9614257508	9614257508
83	1	Sensor for indication	9611995199	9611995199	9611995199	9611995199
83.1	1	Cable for sensor for indication	9611994915	9611994915	9611994915	9611994915
Spindle liner						
15.2	1	Plug	9615331901	9615331901	9615331901	9615331901
42	1	Spindle liner	9614221101	9614205301	9614205301	9614205301
43	2	Clamp	9613011801	9613009201	9613009201	9613009201
44	1	Lock	9613011701	9613009101	9613009101	9613009101
Extra parts if SpiralClean in leakage chamber						
39	2	O-ring, EPDM	9611993492	9611993493	9611993493	9611993493
40	1	O-ring, EPDM	9611995521	9611995521	9611995521	9611995521
41	1	Flushing tube	9614205401	9614205402	9614205402	9614205403
58	1	Spray nozzle, PVDF	9614221301	9614221201	9614221201	9614221201
Upper sealing element						
45	1	Guide ring, PTFE	9613008416	9613008417	9613008417	9613008417
46 ♦	1	O-ring, EPDM	9611993653	9611993654	9611993654	9611993654
47 ♦	1	O-ring, EPDM	9611993632	9611993636	9611993636	9611993640
♦	1	O-ring, NBR	9611993633	9611993637	9611993637	9611993641
♦	1	O-ring, FPM	9611993634	9611993638	9611993638	9611993642
♦	1	O-ring, HNBR	9611993635	9611993639	9611993639	9611993643
48	1	Upper sealing element, (blasted/Ra1.6)	9614220201	9614220301	9614220301	9614220401
	1	Upper sealing element, (polished/Ra0.8)	9614220202	9614220302	9614220302	9614220402
49 ♦	1	Lip seal, EPDM	9613008501	9613008511	9613008511	9613008511
♦	1	Lip seal, NBR	9613008502	9613008512	9613008512	9613008512
♦	1	Lip seal, FPM	9613008503	9613008513	9613008513	9613008513
♦	1	Lip seal, HNBR	9613008504	9613008514	9613008514	9613008514
66	2	Flushing tube	9614205802	9614205803	9614205803	9614205804
67 ♦	2	O-ring, EPDM	9611995523	9611995523	9611995523	9611995523
68	1	Drain	8010000689	8010000689	8010000689	8010000689
69	1	Nozzle	8010000688	8010000688	8010000688	8010000688
144 ♦	2	O-ring, EPDM	8010000690	8010000690	8010000690	8010000690
Upper plug						
54	1	Guide ring, PTFE	9613008401	9613008402	9613008402	9613008402
55	1	Upper plug	9614233102	9614234002	9614234002	9614234502
56 ♦	1	Seal ring, EPDM	9613095106	9613095109	9613095109	9613095119
♦	1	Seal ring, NBR	9613095114	9613095115	9613095115	9613095120
♦	1	Seal ring, FPM	9613095105	9613095108	9613095108	9613095118
♦	1	Seal ring set, (10 pcs.) EPDM	8010023165	8010023166	8010023166	8010023167
♦	1	Seal ring, HNBR	9613095104	9613095107	9613095107	9613095117
57 ♦	1	Lip seal, EPDM	9613008706	9613008711	9613008711	9613008711
♦	1	Lip seal, NBR	9613008707	9613008712	9613008712	9613008712
♦	1	Lip seal, FPM	9613008708	9613008713	9613008713	9613008713
♦	1	Lip seal, HNBR	9613008709	9613008714	9613008714	9613008714

Plug setup 3



○ = wear parts
 ★ = with SpiralClean in leakage chamber

Plug setup 3

Pos	Qty	Denomination	2"	2½"	3"	4"
Lower plug						
38	♦	1 O-ring, EPDM	9611993555	9611993572	9611993572	9611993572
		1 O-ring set, (10 pcs.) EPDM	8010023163	8010023164	8010023164	8010023164
74	♦	1 Seal ring, EPDM	9613095206	9613095209	9613095209	9613095219
	♦	1 Seal ring, NBR	9613095214	9613095215	9613095215	9613095220
	♦	1 Seal ring, FPM - Alfa Laval recommends EPDM	9613095205	9613095208	9613095208	9613095218
	♦	1 Seal ring, HNBR	9613095204	9613095207	9613095207	9613095217
		1 Seal ring set, (10 pcs.) EPDM	8010023169	8010023170	8010023170	8010023171
75		1 Lower plug	9614202939	9614201603	9614201603	9614217823
Lower sealing element						
76	♦	1 O-ring, EPDM	9611993632	9611993636	9611993636	9611993640
	♦	1 O-ring, NBR	9611993633	9611993637	9611993637	9611993641
	♦	1 O-ring, FPM	9611993634	9611993638	9611993638	9611993642
	♦	1 O-ring, HNBR	9611993635	9611993639	9611993639	9611993643
77	♦	1 Lip seal, EPDM	9613008521	9613008526	9613008526	9613008548
	♦	1 Lip seal, NBR	9613008522	9613008527	9613008527	9613008549
	♦	1 Lip seal, FPM	9613008523	9613008528	9613008528	9613008550
	♦	1 Lip seal, HNBR	9613008524	9613008529	9613008529	9613008551
79		1 Lower sealing element, (blasted/Ra1.6)	9613023902	9613024102	9613024102	9613066201
		1 Lower sealing element, (polished/Ra0.8)	9613023904	9613024104	9613024104	9613066202
80		1 Guide ring, PTFE	9613008413	9613008414	9613008414	9613008420
81		1 Cover	9613049005	9613049006	9613049006	9613049015
Extra parts if clamped valve body						
52		1 O-ring, EPDM	9611993632	9611993636	9611993636	9611993640
		1 O-ring, NBR	9611993633	9611993637	9611993637	9611993641
		1 O-ring, FPM	9611993634	9611993638	9611993638	9611993642
		1 O-ring, HNBR	9611993635	9611993639	9611993639	9611993643

NOTE!

If clamped valve body an extra O-ring (pos. 52) is required.

If SpiralClean in leakage chamber, extra O-rings (2x pos. 39 and 1x pos. 40) is required.

Spare parts for mix size please refer to configurator in Alfa Laval Anytime

NOTE!

All FPM service kits are supplied with EPDM seal ring, pos. 74.

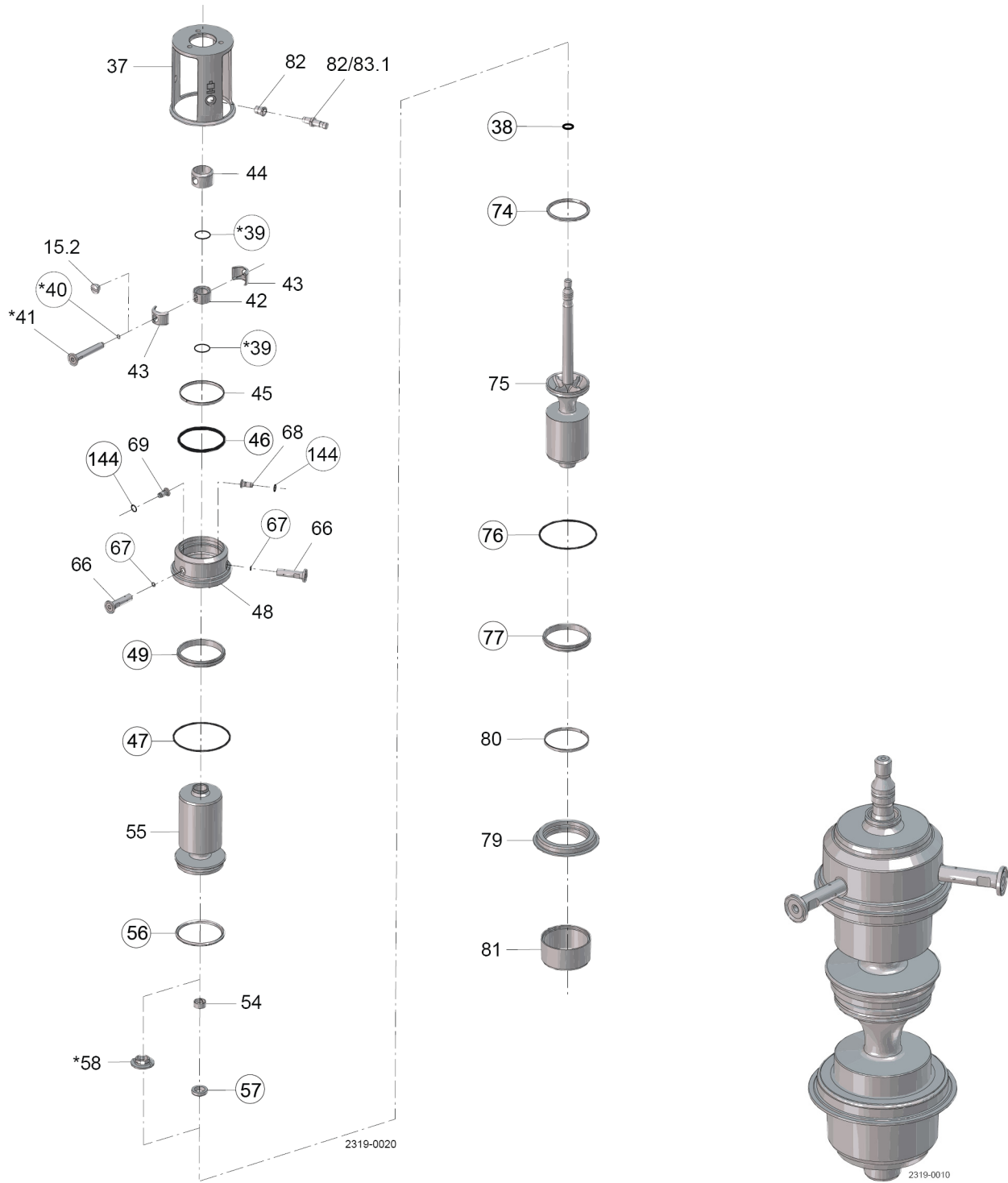
Service kits

		2" seat ø53.3	2½" seat ø81.3	3" seat ø81.3	4" seat ø100.3
♦	Service kit, EPDM	9611928001	9611928005	9611928005	9611928009
♦	Service kit, NBR	9611928002	9611928006	9611928006	9611928010
♦	Service kit, FPM	9611928003	9611928007	9611928007	9611928011
♦	Service kit, HNBR	9611928004	9611928008	9611928008	9611928012

For mixed size housings, the service kit is determined by the smallest size connection on the valve.

NOTE!

All FPM service kits are supplied with EPDM seal ring, pos. 74.

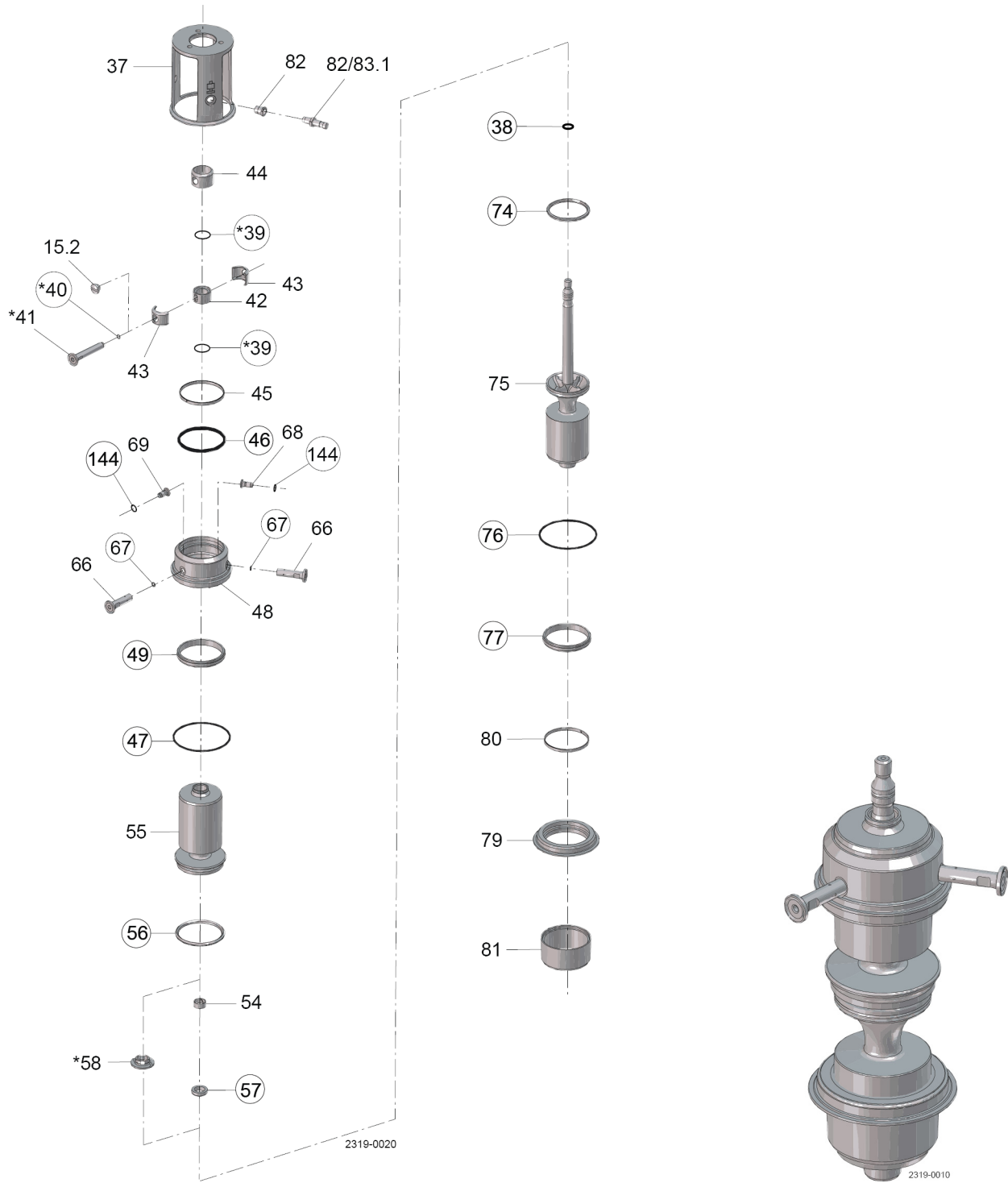


○ = wear parts

* = with SpiralClean in leakage chamber

Plug setup 4

Pos	Qty	Denomination	1½"	2"	2½"	3"	4"
Intermediate parts							
37	1	Intermediate piece	9614255502	9614255902	9614256302	9614256304	9614256702
82 Δ	1	Bolt for indication	9614257508	9614257508	9614257508	9614257508	9614257508
83 Δ	1	Sensor for indication	9611995770	9611995770	9611995770	9611995770	9611995770
83.1	1	Cable for sensor for indication	9611994915	9611994915	9611994915	9611994915	9611994915
Spindle liner							
15.2	1	Plug	9615331901	9615331901	9615331901	9615331901	9615331901
42	1	Spindle liner	9614221101	9614221101	9614205301	9614205301	9614205301
43	2	Clamp	9613011801	9613011801	9613009201	9613009201	9613009201
44	1	Lock	9613011701	9613011701	9613009101	9613009101	9613009101
Extra parts if SpiralClean in leakage chamber							
39	2	O-ring, EPDM	9611993492	9611993492	9611993493	9611993493	9611993493
40	1	O-ring, EPDM	9611995521	9611995521	9611995521	9611995521	9611995521
41	1	Flushing tube	9614205401	9614205401	9614205402	9614205402	9614205403
58	1	Spray nozzle, PVDF	9614221301	9614221301	9614221201	9614221201	9614221201
Upper sealing element							
45	1	Guide ring	9613008412	9613008413	9613008414	9613008414	9613008420
46 ♦	1	O-ring, EPDM	9611993655	9611993650	9611993651	9611993651	9611994407
47 ♦	1	O-ring, EPDM	9611993628	9611993632	9611993636	9611993636	9611993640
♦	1	O-ring, NBR	9611993629	9611993633	9611993637	9611993637	9611993641
♦	1	O-ring, FPM	9611993630	9611993634	9611993638	9611993638	9611993642
♦	1	O-ring, HNBR	9611993631	9611993635	9611993639	9611993639	9611993643
48	1	Upper sealing element, (blasted/Ra1.6)	9614220101	9614219801	9614205901	9614205901	9614219901
	1	Upper sealing element, (polished/Ra0.8)	9614220102	9614219802	9614205902	9614205902	9614219902
49 ♦	1	Lip seal, EPDM	9613008516	9613008521	9613008526	9613008526	9613008548
♦	1	Lip seal, NBR	9613008517	9613008522	9613008527	9613008527	9613008549
♦	1	Lip seal, FPM	9613008518	9613008523	9613008528	9613008528	9613008550
♦	1	Lip seal, HNBR	9613008519	9613008524	9613008529	9613008529	9613008551
66	2	Flushing tube	9614205801	9614205802	9614205803	9614205803	9614205804
67 ♦	2	O-ring, EPDM	9611995523	9611995523	9611995523	9611995523	9611995523
68	1	Drain	8010000689	8010000689	8010000689	8010000689	9614205701
69	1	Nozzle	8010000688	8010000688	8010000688	8010000688	9614205601
144 ♦	2	O-ring, EPDM	8010000690	8010000690	8010000690	8010000690	8010000690
Upper plug							
54	1	Guide ring, PTFE	9613008401	9613008401	9613008402	9613008402	9613008402
55	1	Upper plug	9614232502	9614233110	9614234008	9614234008	9614234506
56 ♦	1	Seal ring, EPDM	9613095106	9613095106	9613095109	9613095109	9613095119
♦	1	Seal ring, NBR	9613095114	9613095114	9613095115	9613095115	9613095120
♦	1	Seal ring, FPM	9613095105	9613095105	9613095108	9613095108	9613095118
♦	1	Seal ring, HNBR	9613095104	9613095104	9613095107	9613095107	9613095117
	1	Seal ring set, (10 pcs.) EPDM	8010023165	8010023165	8010023166	8010023166	8010023167
57 ♦	1	Lip seal, EPDM	9613008706	9613008706	9613008711	9613008711	9613008711
♦	1	Lip seal, NBR	9613008707	9613008707	9613008712	9613008712	9613008712
♦	1	Lip seal, FPM	9613008708	9613008708	9613008713	9613008713	9613008713
♦	1	Lip seal, HNBR	9613008709	9613008709	9613008714	9613008714	9613008714



○ = wear parts

* = with SpiralClean in leakage chamber

Plug setup 4

Pos	Qty	Denomination	1½"	2"	2½"	3"	4"
Lower plug							
38	♦	1 O-ring, EPDM	9611993555	9611993555	9611993572	9611993572	9611993572
		1 O-ring set, (10 pcs.) EPDM .	8010023163	8010023163	8010023164	8010023164	8010023164
74	♦	1 Seal ring, EPDM	9613095206	9613095206	9613095209	9613095209	9613095219
	♦	1 Seal ring, NBR	9613095214	9613095214	9613095215	9613095215	9613095220
	♦	1 Seal ring, FPM - Alfa Laval recommends EPDM	9613095205	9613095205	9613095208	9613095208	9613095218
	♦	1 Seal ring, HNBR	9613095204	9613095204	9613095207	9613095207	9613095217
		1 Seal ring set, (10 pcs.) EPDM	8010023169	8010023169	8010023170	8010023170	8010023171
75		1 Lower plug	9614202903	9614202939	9614201603	9614201603	9614217823
Lower sealing element							
76	♦	1 O-ring, EPDM	9611993628	9611993632	9611993636	9611993636	9611993640
	♦	1 O-ring, NBR	9611993629	9611993633	9611993637	9611993637	9611993641
	♦	1 O-ring, FPM	9611993630	9611993634	9611993638	9611993638	9611993642
	♦	1 O-ring, HNBR	9611993631	9611993635	9611993639	9611993639	9611993643
77	♦	1 Lip seal, EPDM	9613008516	9613008521	9613008526	9613008526	9613008548
	♦	1 Lip seal, NBR	9613008517	9613008522	9613008527	9613008527	9613008549
	♦	1 Lip seal, FPM	9613008518	9613008523	9613008528	9613008528	9613008550
	♦	1 Lip seal, HNBR	9613008519	9613008524	9613008529	9613008529	9613008551
79		1 Lower sealing element, (blasted/Ra1.6)	9613023701	9613023902	9613024102	9613024102	9613066201
		1 Lower sealing element, (polished/Ra0.8)	9613023702	9613023904	9613024104	9613024104	9613066202
80		1 Guide ring	9613008412	9613008413	9613008414	9613008414	9613008420
81		1 Cover	9613049001	9613049005	9613049006	9613049006	9613049015
Extra parts if clamped valve body							
52		1 O-ring, EPDM	9611993628	9611993632	9611993636	9611993636	9611993640
		1 O-ring, NBR	9611993629	9611993633	9611993637	9611993637	9611993641
		1 O-ring, FPM	9611993630	9611993634	9611993638	9611993638	9611993642
		1 O-ring, HNBR	9611993631	9611993635	9611993639	9611993639	9611993643

NOTE!

If clamped valve body an extra O-ring (pos. 52) is required.

If SpiralClean in leakage chamber extra O-rings (2x pos. 39 and 1x pos. 40) is required.

Δ Sensor service kit for valves delivered prior to October 2015 - 9611928351

Spare parts for mix size please refer to configurator in Alfa Laval Anytime

NOTE!

All FPM service kits are supplied with EPDM seal ring, pos. 74.

Service kits

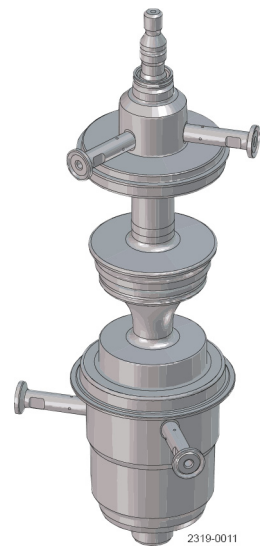
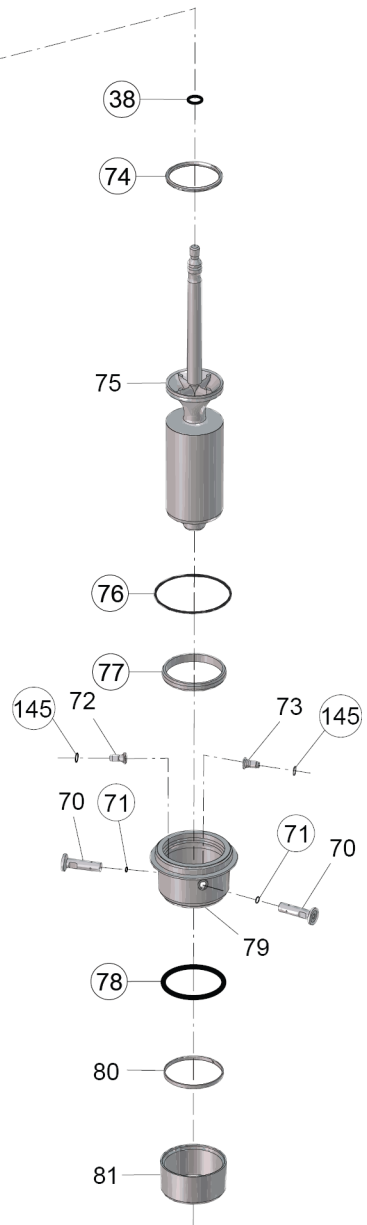
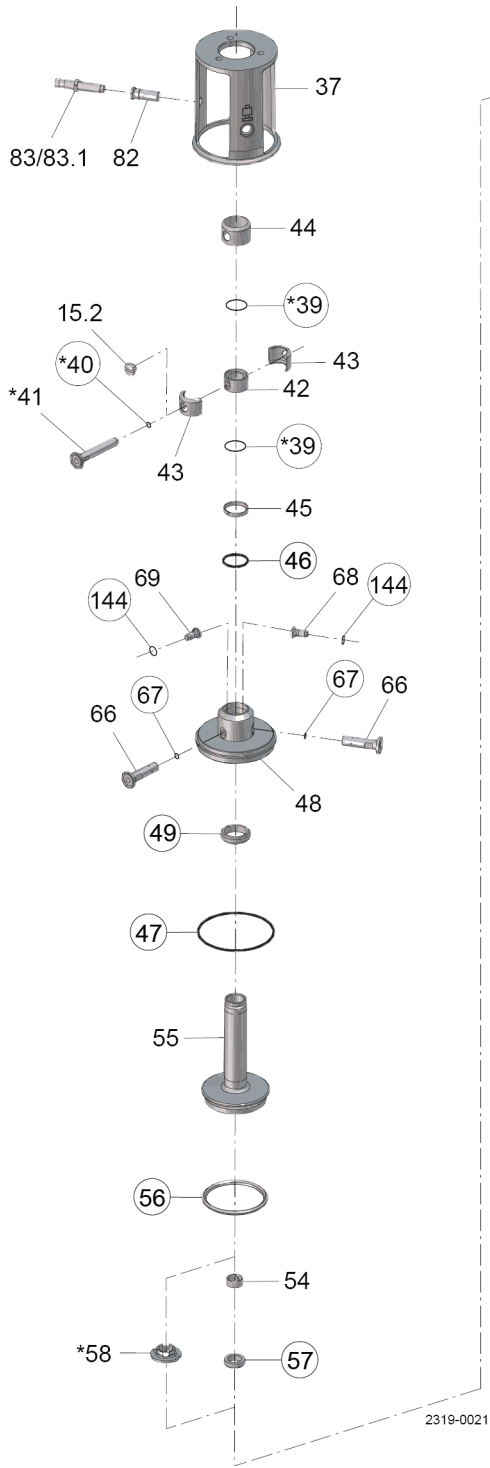
		1½"	2"	2½"	3"	4"
		Seat ø53.3	Seat ø53.3	Seat ø81.3	Seat ø81.3	Seat ø100.3
♦	Service kit, EPDM	9611928017	9611928021	9611928025	9611928025	9611928029
♦	Service kit, NBR	9611928018	9611928022	9611928026	9611928026	9611928030
♦	Service kit, FPM	9611928019	9611928023	9611928027	9611928027	9611928031
♦	Service kit, HNBR	9611928020	9611928024	9611928028	9611928028	9611928032

For mixed size housings, the service kit is determined by the smallest size connection on the valve.

NOTE!

All FPM service kits are supplied with EPDM seal ring, pos. 74.

Plug setup 5



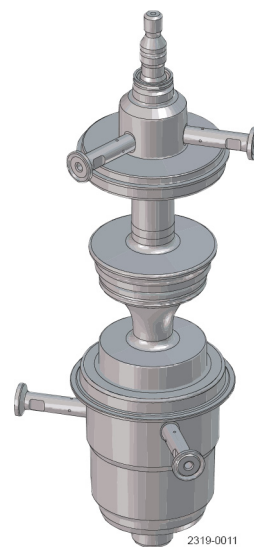
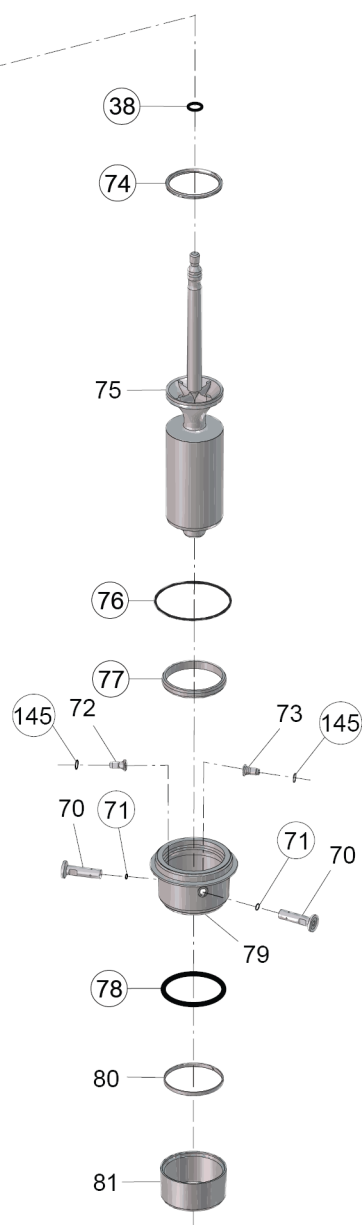
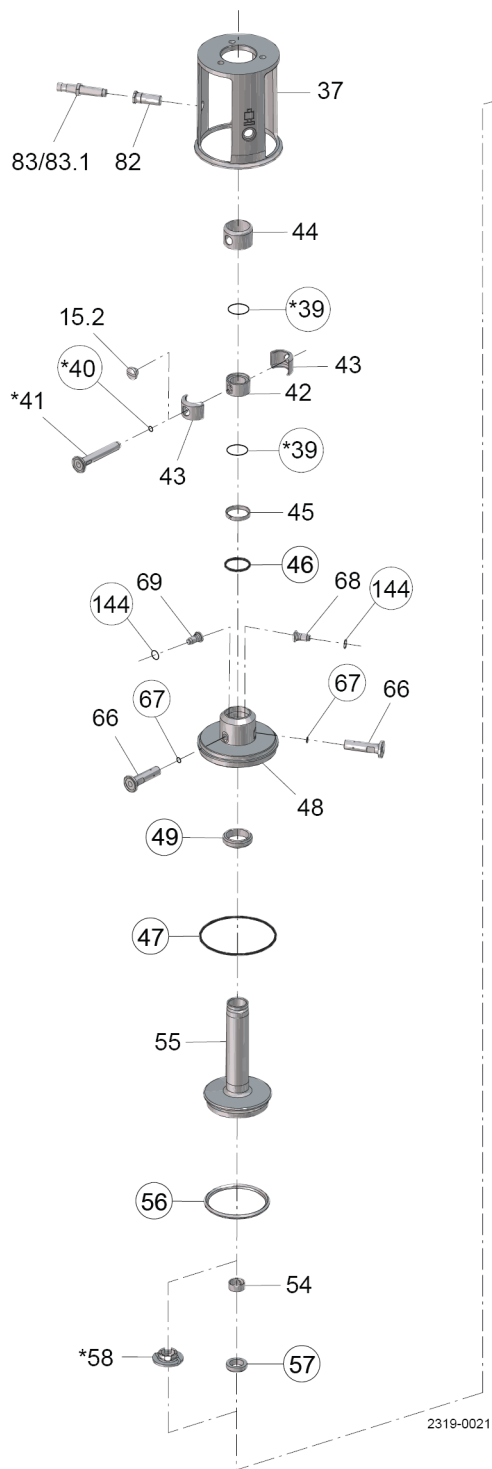
○ = wear parts

* = with SpiralClean in leakage chamber

Plug setup 5

Pos	Qty	Denomination	2"	2½"	3"	4"
Intermediate parts						
37	1	Intermediate piece	9614255902	9614256302	9614256304	9614256702
82	1	Bolt for indication	9614257508	9614257508	9614257508	9614257508
83	1	Sensor for indication	9611995199	9611995199	9611995199	9611995199
83.1	1	Cable for sensor for indication	9611994915	9611994915	9611994915	9611994915
Spindle liner						
15.2	1	Plug	9615331901	9615331901	9615331901	9615331901
42	1	Spindle liner	9614221101	9614205301	9614205301	9614205301
43	2	Clamp	9613011801	9613009201	9613009201	9613009201
44	1	Lock	9613011701	9613009101	9613009101	9613009101
Extra parts if SpiralClean in leakage chamber						
39	2	O-ring, EPDM	9611993492	9611993493	9611993493	9611993493
40	1	O-ring, EPDM	9611995521	9611995521	9611995521	9611995521
41	1	Flushing tube	9614205401	9614205402	9614205402	9614205403
58	1	Spray nozzle, PVDF	9614221301	9614221201	9614221201	9614221201
Upper sealing element						
45	1	Guide ring	9613008416	9613008417	9613008417	9613008417
46 ♦	1	O-ring, EPDM	9611993653	9611993654	9611993654	9611993654
47 ♦	1	O-ring, EPDM	9611993632	9611993636	9611993636	9611993640
♦	1	O-ring, NBR	9611993633	9611993637	9611993637	9611993641
♦	1	O-ring, FPM	9611993634	9611993638	9611993638	9611993642
♦	1	O-ring, HNBR	9611993635	9611993639	9611993639	9611993643
48	1	Upper sealing element, (blasted/Ra1.6)	9614220201	9614220301	9614220301	9614220401
	1	Upper sealing element, (polished/Ra0.8)	9614220202	9614220302	9614220302	9614220402
49 ♦	1	Lip seal, EPDM	9613008501	9613008511	9613008511	9613008511
♦	1	Lip seal, NBR	9613008502	9613008512	9613008512	9613008512
♦	1	Lip seal, FPM	9613008503	9613008513	9613008513	9613008513
♦	1	Lip seal, HNBR	9613008504	9613008514	9613008514	9613008514
66	2	Flushing tube	9614205802	9614205803	9614205803	9614205804
67 ♦	2	O-ring, EPDM	9611995523	9611995523	9611995523	9611995523
68	1	Drain	8010000689	8010000689	8010000689	8010000689
69	1	Nozzle	8010000688	8010000688	8010000688	8010000688
144 ♦	2	O-ring, EPDM	8010000690	8010000690	8010000690	8010000690
Upper plug						
54	1	Guide ring, PTFE	9613008401	9613008402	9613008402	9613008402
55	1	Upper plug	9614233102	9614234002	9614234002	9614234502
56 ♦	1	Seal ring, EPDM	9613095106	9613095109	9613095109	9613095119
♦	1	Seal ring, NBR	9613095114	9613095115	9613095115	9613095120
♦	1	Seal ring, FPM	9613095105	9613095108	9613095108	9613095118
♦	1	Seal ring, HNBR	9613095104	9613095107	9613095107	9613095117
	1	Seal ring set, (10 pcs.) EPDM	8010023165	8010023166	8010023166	8010023167
57 ♦	1	Lip seal, EPDM	9613008706	9613008711	9613008711	9613008711
♦	1	Lip seal, NBR	9613008707	9613008712	9613008712	9613008712
♦	1	Lip seal, FPM	9613008708	9613008713	9613008713	9613008713
♦	1	Lip seal, HNBR	9613008709	9613008714	9613008714	9613008714

Plug setup 5



○ = wear parts

* = with SpiralClean in leakage chamber

Plug setup 5

Pos	Qty	Denomination	2"	2½"	3"	4"
Lower plug						
38	♦	1 O-ring, EPDM	9611993555	9611993572	9611993572	9611993572
		1 O-ring set, (10 pcs.) EPDM	8010023163	8010023164	8010023164	8010023164
74	♦	1 Seal ring, EPDM	9613095206	9613095209	9613095209	9613095219
	♦	1 Seal ring, NBR	9613095214	9613095215	9613095215	9613095220
	♦	1 Seal ring, FPM - Alfa Laval recommends EPDM	9613095205	9613095208	9613095208	9613095218
	♦	1 Seal ring, HNBR	9613095204	9613095207	9613095207	9613095217
		1 Seal ring set, (10 pcs.) EPDM	8010023169	8010023170	8010023170	8010023171
75		1 Lower plug	9614202940	9614201604	9614201604	9614217824
Lower sealing element						
70		2 Flushing tube	9614205802	9614205803	9614205803	9614205804
71	♦	2 O-ring, EPDM	9611995523	9611995523	9611995523	9611995523
72		1 Drain	9614205701	9614205701	9614205701	9614205701
73		1 Nozzle	9614205601	9614205601	9614205601	9614205601
145	♦	2 O-ring, EPDM	8010000690	8010000690	8010000690	8010000690
76	♦	1 O-ring, EPDM	9611993632	9611993636	9611993636	9611993640
	♦	1 O-ring, NBR	9611993633	9611993637	9611993637	9611993641
	♦	1 O-ring, FPM	9611993634	9611993638	9611993638	9611993642
	♦	1 O-ring, HNBR	9611993635	9611993639	9611993639	9611993643
77	♦	1 Lip seal, EPDM	9613008521	9613008526	9613008526	9613008548
	♦	1 Lip seal, NBR	9613008522	9613008527	9613008527	9613008549
	♦	1 Lip seal, FPM	9613008523	9613008528	9613008528	9613008550
	♦	1 Lip seal, HNBR	9613008524	9613008529	9613008529	9613008551
78	♦	1 O-ring, EPDM	9611993650	9611993651	9611993651	9611994407
79		1 Lower sealing element, (blasted/Ra1.6)	9614220701	9614220801	9614220801	9614220901
		1 Lower sealing element, (polished/Ra0.8)	9614220702	9614220802	9614220802	9614220902
80		1 Guide ring, PTFE	9613008413	9613008414	9613008414	9613008420
81		1 Cover	9613049005	9613049006	9613049006	9613049015
Extra parts if clamped valve body						
52		1 O-ring, EPDM	9611993632	9611993636	9611993636	9611993640
		1 O-ring, NBR	9611993633	9611993637	9611993637	9611993641
		1 O-ring, FPM	9611993634	9611993638	9611993638	9611993642
		1 O-ring, HNBR	9611993635	9611993639	9611993639	9611993643

NOTE!

If clamped valve body an extra O-ring (pos. 52) is required.

If SpiralClean in leakage chamber, extra O-rings (2x pos. 39 and 1x pos. 40) is required.

Spare parts for mix size please refer to configurator in Alfa Laval Anytime

NOTE!

All FPM service kits are supplied with EPDM seal ring, pos. 74.

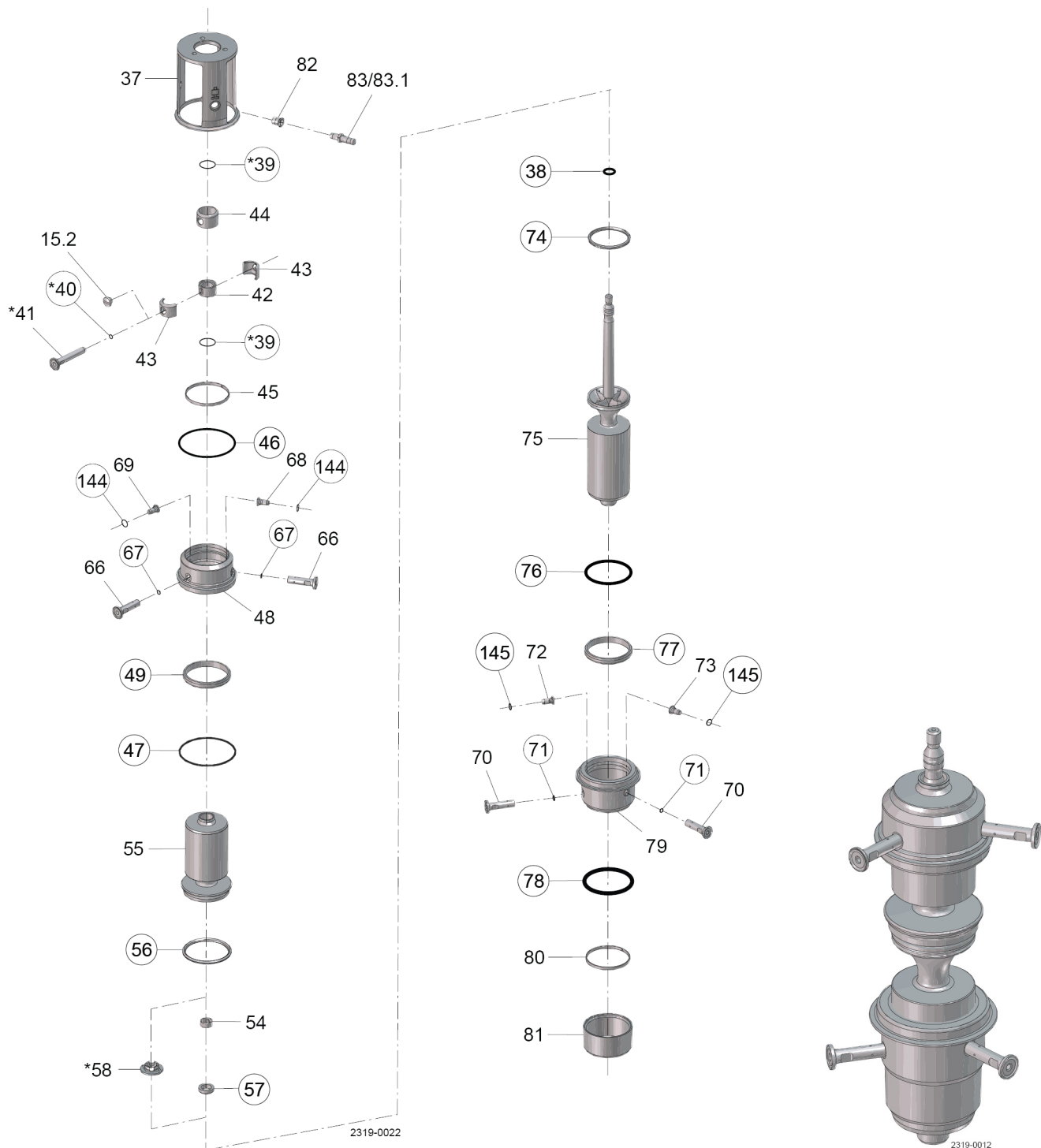
Service kits

		2" Seat ø53.3	2½" Seat ø81.3	3" Seat ø81.3	4" Seat ø100.3
♦	Service kit, EPDM	9611928037	9611928041	9611928041	9611928045
♦	Service kit, NBR	9611928038	9611928042	9611928042	9611928046
♦	Service kit, FPM	9611928039	9611928043	9611928043	9611928047
♦	Service kit, HNBR	9611928040	9611928044	9611928044	9611928048

For mixed size housings, the service kit is determined by the smallest size connection on the valve.

NOTE!

All FPM service kits are supplied with EPDM seal ring, pos. 74.

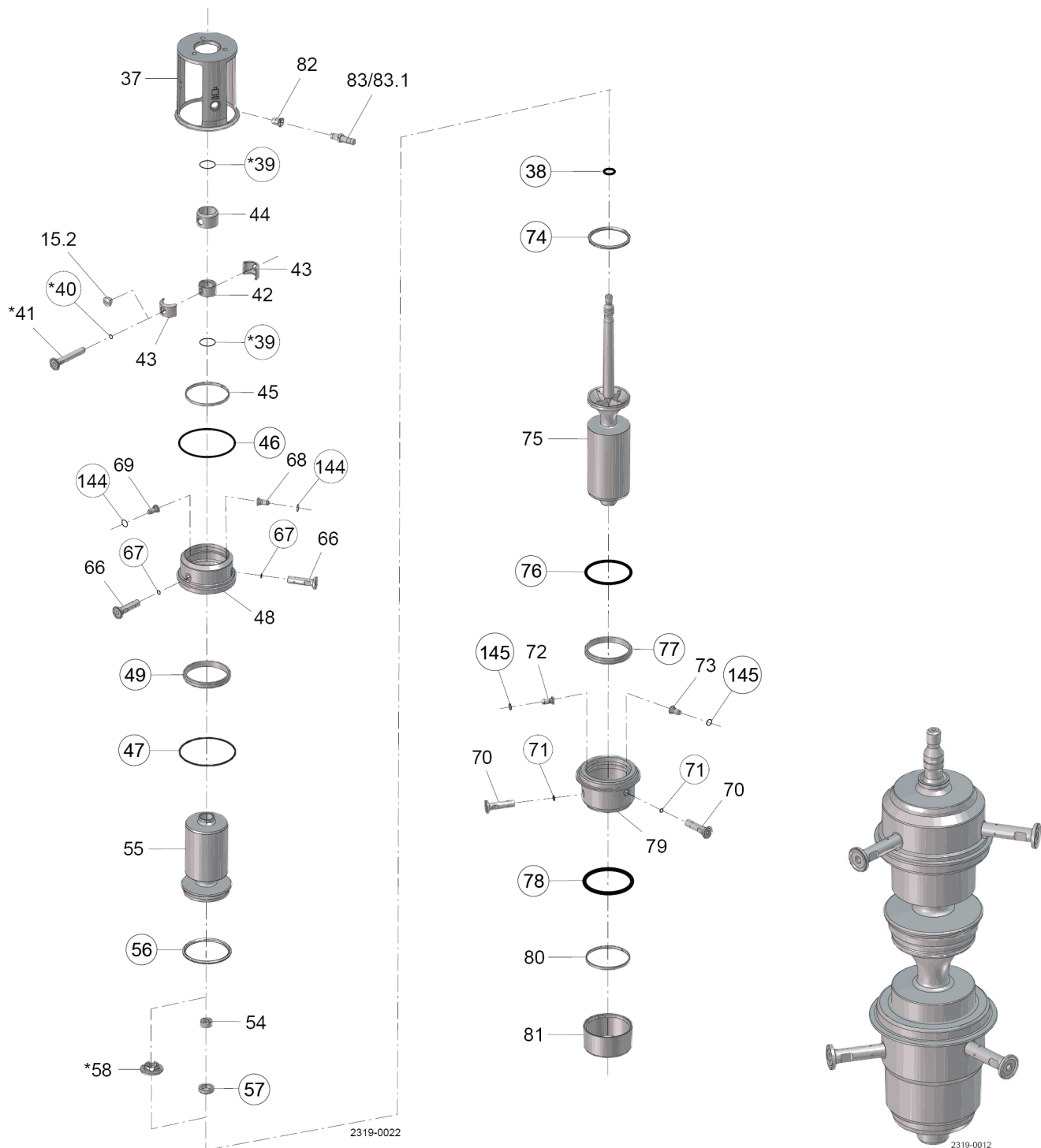


○ = wear parts

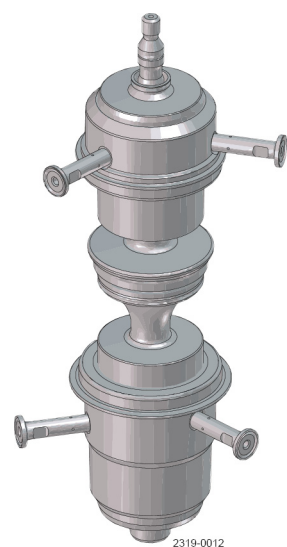
* = with SpiralClean in leakage chamber

Plug setup 6

Pos	Qty	Denomination	1½"	2"	2½"	3"	4"
Intermediate parts							
37	1	Intermediate piece	9614255502	9614255902	9614256302	9614256304	9614256702
82 Δ	1	Bolt for indication	9614257508	9614257508	9614257508	9614257508	9614257508
83 Δ	1	Sensor for indication	9611995770	9611995770	9611995770	9611995770	9611995770
83.1	1	Cable for sensor for indication	9611994915	9611994915	9611994915	9611994915	9611994915
Spindle liner							
15.2	1	Plug	9615331901	9615331901	9615331901	9615331901	9615331901
42	1	Spindle liner	9614221101	9614221101	9614205301	9614205301	9614205301
43	2	Clamp	9613011801	9613011801	9613009201	9613009201	9613009201
44	1	Lock	9613011701	9613011701	9613009101	9613009101	9613009101
Extra parts if SpiralClean in leakage chamber							
39	2	O-ring, EPDM	9611993492	9611993492	9611993493	9611993493	9611993493
40	1	O-ring, EPDM	9611995521	9611995521	9611995521	9611995521	9611995521
41	1	Flushing tube	9614205401	9614205401	9614205402	9614205402	9614205403
58	1	Spray nozzle, PVDF	9614221301	9614221301	9614221201	9614221201	9614221201
Upper sealing element							
45	1	Guide ring	9613008412	9613008413	9613008414	9613008414	9613008420
46 ♦	1	O-ring, EPDM	9611993655	9611993650	9611993651	9611993651	9611994407
47 ♦	1	O-ring, EPDM	9611993628	9611993632	9611993636	9611993636	9611993640
♦	1	O-ring, NBR	9611993629	9611993633	9611993637	9611993637	9611993641
♦	1	O-ring, FPM	9611993630	9611993634	9611993638	9611993638	9611993642
♦	1	O-ring, HNBR	9611993631	9611993635	9611993639	9611993639	9611993643
48	1	Upper sealing element, (blasted/Ra1.6)	9614220101	9614219801	9614205901	9614205901	9614219901
	1	Upper sealing element, (polished/Ra0.8)	9614220102	9614219802	9614205902	9614205902	9614219902
49 ♦	1	Lip seal, EPDM	9613008516	9613008521	9613008526	9613008526	9613008548
♦	1	Lip seal, NBR	9613008517	9613008522	9613008527	9613008527	9613008549
♦	1	Lip seal, FPM	9613008518	9613008523	9613008528	9613008528	9613008550
♦	1	Lip seal, HNBR	9613008519	9613008524	9613008529	9613008529	9613008551
66	2	Flushing tube	9614205801	9614205802	9614205803	9614205803	9614205804
67 ♦	2	O-ring, EPDM	9611995523	9611995523	9611995523	9611995523	9611995523
68	1	Drain	8010000689	8010000689	8010000689	8010000689	9614205701
69	1	Nozzle	8010000688	8010000688	8010000688	8010000688	9614205601
144 ♦	2	O-ring, EPDM	8010000690	8010000690	8010000690	8010000690	8010000690
Upper plug							
54	1	Guide ring, PTFE	9613008401	9613008401	9613008402	9613008402	9613008402
55	1	Upper plug	9614232502	9614233110	9614234008	9614234008	9614234506
56 ♦	1	Seal ring, EPDM	9613095106	9613095106	9613095109	9613095109	9613095119
♦	1	Seal ring, NBR	9613095114	9613095114	9613095115	9613095115	9613095120
♦	1	Seal ring, FPM	9613095105	9613095105	9613095108	9613095108	9613095118
♦	1	Seal ring, HNBR	9613095104	9613095104	9613095107	9613095107	9613095117
	1	Seal ring set, (10 pcs.) EPDM	8010023165	8010023165	8010023166	8010023166	8010023167
57 ♦	1	Lip seal, EPDM	9613008706	9613008706	9613008711	9613008711	9613008711
♦	1	Lip seal, NBR	9613008707	9613008707	9613008712	9613008712	9613008712
♦	1	Lip seal, FPM	9613008708	9613008708	9613008713	9613008713	9613008713
♦	1	Lip seal, HNBR	9613008709	9613008709	9613008714	9613008714	9613008714



○ = wear parts
 * = with SpiralClean in leakage chamber



Plug setup 6

Pos	Qty	Denomination	1½"	2"	2½"	3"	4"
Lower plug							
38	♦	1 O-ring, EPDM	9611993555	9611993555	9611993572	9611993572	9611993572
		1 O-ring set, (10 pcs.) EPDM ..	8010023163	8010023163	8010023164	8010023164	8010023164
74	♦	1 Seal ring, EPDM	9613095206	9613095206	9613095209	9613095209	9613095219
	♦	1 Seal ring, NBR	9613095214	9613095214	9613095215	9613095215	9613095220
	♦	1 Seal ring, FPM - Alfa Laval recommends EPDM	9613095205	9613095205	9613095208	9613095208	9613095218
	♦	1 Seal ring, HNBR	9613095204	9613095204	9613095207	9613095207	9613095217
		1 Seal ring set, (10 pcs.) EPDM	8010023169	8010023169	8010023170	8010023170	8010023171
75		1 Lower plug	9614202904	9614202940	9614201604	9614201604	9614217824
Lower sealing element							
70		2 Flushing tube	9614205801	9614205802	9614205803	9614205803	9614205804
71	♦	2 O-ring, EPDM	9611995523	9611995523	9611995523	9611995523	9611995523
72		1 Drain	8010000689	9614205701	9614205701	9614205701	9614205701
73		1 Nozzle	8010000688	9614205601	9614205601	9614205601	9614205601
145	♦	2 O-ring, EPDM	8010000690	8010000690	8010000690	8010000690	8010000690
76	♦	1 O-ring, EPDM	9611993628	9611993632	9611993636	9611993636	9611993640
	♦	1 O-ring, NBR	9611993629	9611993633	9611993637	9611993637	9611993641
	♦	1 O-ring, FPM	9611993630	9611993634	9611993638	9611993638	9611993642
	♦	1 O-ring, HNBR	9611993631	9611993635	9611993639	9611993639	9611993643
77	♦	1 Lip seal, EPDM	9613008516	9613008521	9613008526	9613008526	9613008548
	♦	1 Lip seal, NBR	9613008517	9613008522	9613008527	9613008527	9613008549
	♦	1 Lip seal, FPM	9613008518	9613008523	9613008528	9613008528	9613008550
	♦	1 Lip seal, HNBR	9613008519	9613008524	9613008529	9613008529	9613008551
78	♦	1 O-ring, EPDM	9611993655	9611993650	9611993651	9611993651	9611994407
79		1 Lower sealing element, (blasted/Ra1.6)	9614220501	9614220701	9614220801	9614220801	9614220901
		1 Lower sealing element, (polished/Ra0.8)	9614220502	9614220702	9614220802	9614220802	9614220902
80		1 Guide ring, PTFE	9613008412	9613008413	9613008414	9613008414	9613008420
81		1 Cover	9613049001	9613049005	9613049006	9613049006	9613049015
Extra parts if clamped valve body							
52		1 O-ring, EPDM	9611993628	9611993632	9611993636	9611993636	9611993640
		1 O-ring, NBR	9611993629	9611993633	9611993637	9611993637	9611993641
		1 O-ring, FPM	9611993630	9611993634	9611993638	9611993638	9611993642
		1 O-ring, HNBR	9611993631	9611993635	9611993639	9611993639	9611993643

NOTE!

If clamped valve body an extra O-ring (pos. 52) is required.

If SpiralClean in leakage chamber, extra O-rings (2x pos. 39 and 1x pos. 40) is required.

Δ Sensor service kit for valves delivered prior to October 2015 - 9611928351

Spare parts for mix size please refer to configurator in Alfa Laval Anytime

NOTE!

All FPM service kits are supplied with EPDM seal ring, pos. 74.

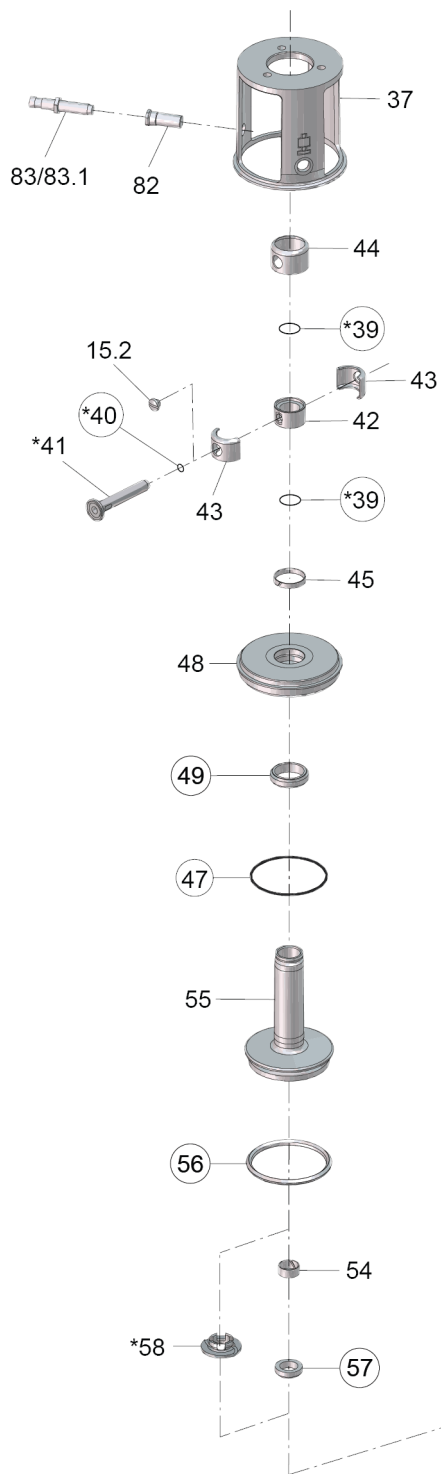
Service kits

		1½"	2"	2½"	3"	4"
		Seat ø53.3	Seat ø53.3	Seat ø81.3	Seat ø81.3	Seat ø100.3
♦	Service kit, EPDM	9611928053	9611928057	9611928061	9611928061	9611928065
♦	Service kit, NBR	9611928054	9611928058	9611928062	9611928062	9611928066
♦	Service kit, FPM	9611928055	9611928059	9611928063	9611928063	9611928067
♦	Service kit, HNBR	9611928056	9611928060	9611928064	9611928064	9611928068

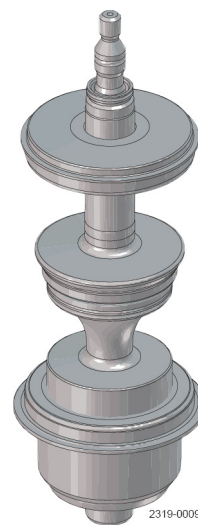
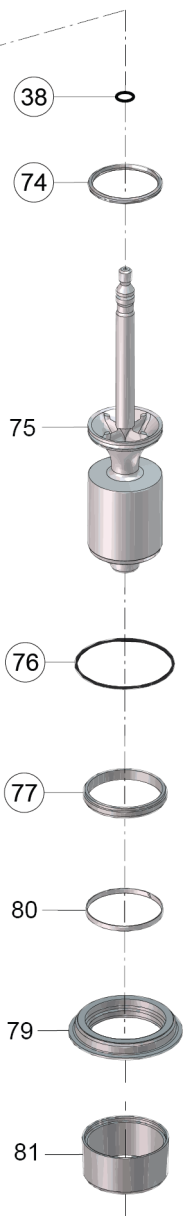
For mixed size housings, the service kit is determined by the smallest size connection on the valve.

NOTE!

All FPM service kits are supplied with EPDM seal ring, pos. 74.



2319-0007



2319-0009

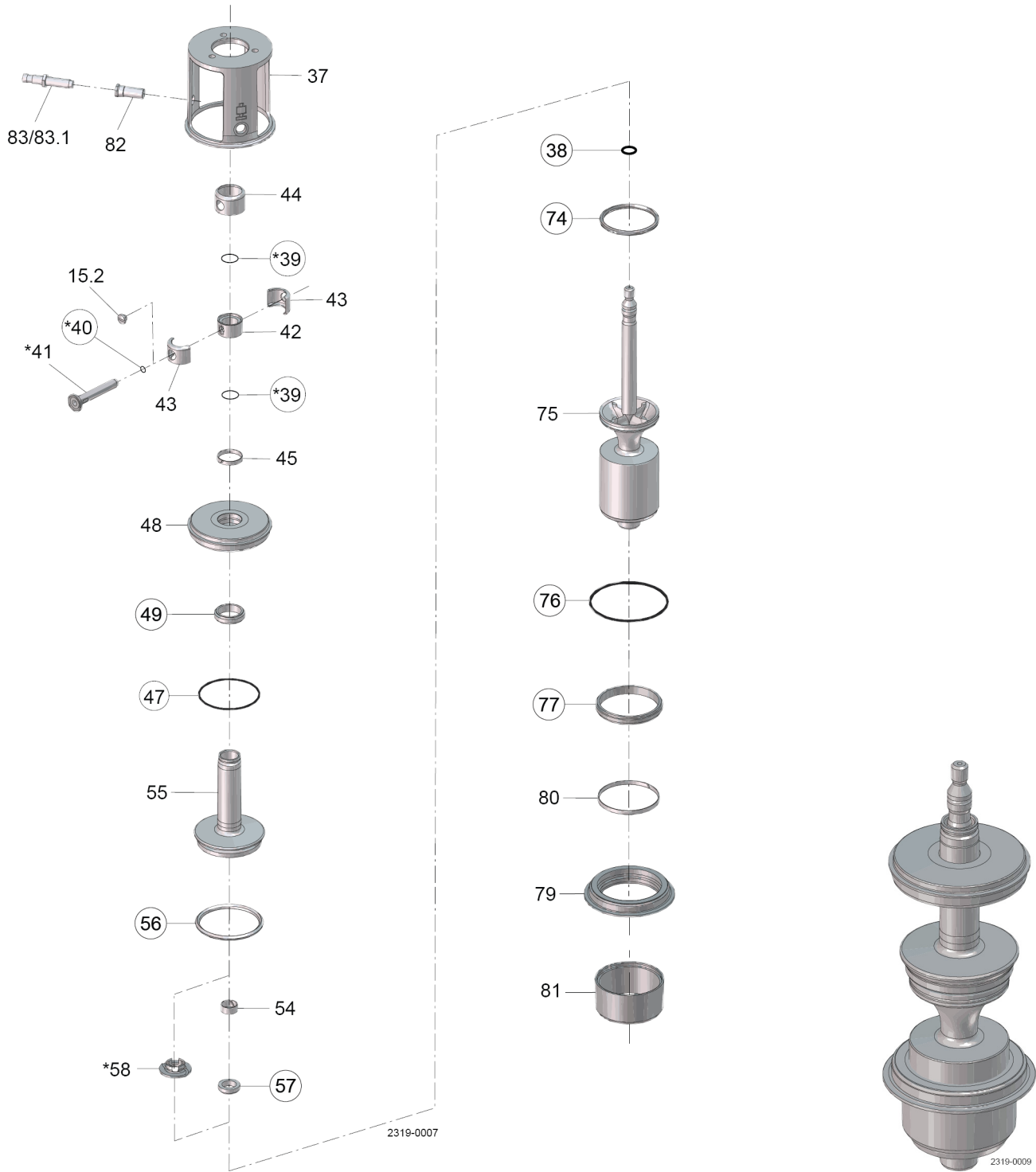
○ = wear parts

* = with SpiralClean in leakage chamber

Plug setup 11

Pos	Qty	Denomination	2"	2½"	3"	4"
Intermediate parts						
37	1	Intermediate piece	9614255901	9614256301	9614256303	9614256701
82	1	Bolt for indication	9614257508	9614257508	9614257508	9614257508
83	1	Sensor for indication	9611995199	9611995199	9611995199	9611995199
83.1	1	Cable for sensor for indication	9611994915	9611994915	9611994915	9611994915
Spindle liner						
15.2	1	Plug	9615331901	9615331901	9615331901	9615331901
42	1	Spindle liner	9614221101	9614205301	9614205301	9614205301
43	2	Clamp	9613011801	9613009201	9613009201	9613009201
44	1	Lock	9613011701	9613009101	9613009101	9613009101
Extra parts if SpiralClean in leakage chamber						
39	2	O-ring, EPDM	9611993492	9611993493	9611993493	9611993493
40	1	O-ring, EPDM	9611995521	9611995521	9611995521	9611995521
41	1	Flushing tube	9614205401	9614205402	9614205402	9614205403
58	1	Spray nozzle, PVDF	9614221301	9614221201	9614221201	9614221201
Upper sealing element						
45	1	Guide ring , PTFE	9613008416	9613008417	9613008417	9613008417
47	◆	O-ring, EPDM	9611993632	9611993636	9611993636	9611993640
	◆	O-ring, NBR	9611993633	9611993637	9611993637	9611993641
	◆	O-ring, FPM	9611993634	9611993638	9611993638	9611993642
	◆	O-ring, HNBR	9611993635	9611993639	9611993639	9611993643
48	1	Upper sealing element, (blasted/Ra1.6)	9613014201	9613006401	9613006401	9613018801
	1	Upper sealing element, (polished/Ra0.8)	9613014203	9613006403	9613006403	9613018803
49	◆	Lip seal, EPDM	9613008501	9613008511	9613008511	9613008511
	◆	Lip seal, NBR	9613008502	9613008512	9613008512	9613008512
	◆	Lip seal, FPM	9613008503	9613008513	9613008513	9613008513
	◆	Lip seal, HNBR	9613008504	9613008514	9613008514	9613008514
Upper plug						
54	1	Guide ring, PTFE	9613008401	9613008402	9613008402	9613008402
55	1	Upper plug	9614233101	9614234001	9614234001	9614234501
56	◆	Seal ring, EPDM	9613095106	9613095109	9613095109	9613095119
	◆	Seal ring, NBR	9613095114	9613095115	9613095115	9613095120
	◆	Seal ring, FPM	9613095105	9613095108	9613095108	9613095118
	◆	Seal ring, HNBR	9613095104	9613095107	9613095107	9613095117
	1	Seal ring set, (10 pcs.) EPDM	8010023165	8010023166	8010023166	8010023167
57	◆	Lip seal, EPDM	9613008706	9613008711	9613008711	9613008711
	◆	Lip seal, NBR	9613008707	9613008712	9613008712	9613008712
	◆	Lip seal, FPM	9613008708	9613008713	9613008713	9613008713
	◆	Lip seal, HNBR	9613008709	9613008714	9613008714	9613008714

Plug setup 11



Plug setup 11

Pos	Qty	Denomination	2"	2½"	3"	4"
Lower plug						
38	♦	1 O-ring, EPDM	9611993555	9611993572	9611993572	9611993572
		1 O-ring set, (10 pcs.) EPDM	8010023163	8010023164	8010023164	8010023164
74	♦	1 Seal ring, EPDM	9613095206	9613095209	9613095209	9613095219
	♦	1 Seal ring, NBR	9613095214	9613095215	9613095215	9613095220
	♦	1 Seal ring, FPM - Alfa Laval recommends EPDM	9613095205	9613095208	9613095208	9613095218
	♦	1 Seal ring, HNBR	9613095204	9613095207	9613095207	9613095217
		1 Seal ring set, (10 pcs.) EPDM	8010023169	8010023170	8010023170	8010023171
75		1 Lower plug	9614202937	9614201601	9614201601	9614217821
Lower sealing element						
76	♦	1 O-ring, EPDM	9611993632	9611993636	9611993636	9611993640
	♦	1 O-ring, NBR	9611993633	9611993637	9611993637	9611993641
	♦	1 O-ring, FPM	9611993634	9611993638	9611993638	9611993642
	♦	1 O-ring, HNBR	9611993635	9611993639	9611993639	9611993643
77	♦	1 Lip seal, EPDM	9613008521	9613008526	9613008526	9613008548
	♦	1 Lip seal, NBR	9613008522	9613008527	9613008527	9613008549
	♦	1 Lip seal, FPM	9613008523	9613008528	9613008528	9613008550
	♦	1 Lip seal, HNBR	9613008524	9613008529	9613008529	9613008551
79		1 Lower sealing element, (blasted/Ra1.6)	9613023902	9613024102	9613024102	9613066201
		1 Lower sealing element, (polished/Ra0.8)	9613023904	9613024104	9613024104	9613066202
80		1 Guide ring, PTFE	9613008413	9613008414	9613008414	9613008420
81		1 Cover	9613049005	9613049006	9613049006	9613049015
Extra parts if clamped valve body						
52		1 O-ring, EPDM	9611993632	9611993636	9611993636	9611993640
		1 O-ring, NBR	9611993633	9611993637	9611993637	9611993641
		1 O-ring, FPM	9611993634	9611993638	9611993638	9611993642
		1 O-ring, HNBR	9611993635	9611993639	9611993639	9611993643

NOTE!

If clamped valve body an extra O-ring (pos. 52) is required.

If SpiralClean in leakage chamber, extra O-rings (2x pos. 39 and 1x pos. 40) is required.

Spare parts for mix size please refer to configurator in Alfa Laval Anytime

NOTE!

All FPM service kits are supplied with EPDM seal ring, pos. 74.

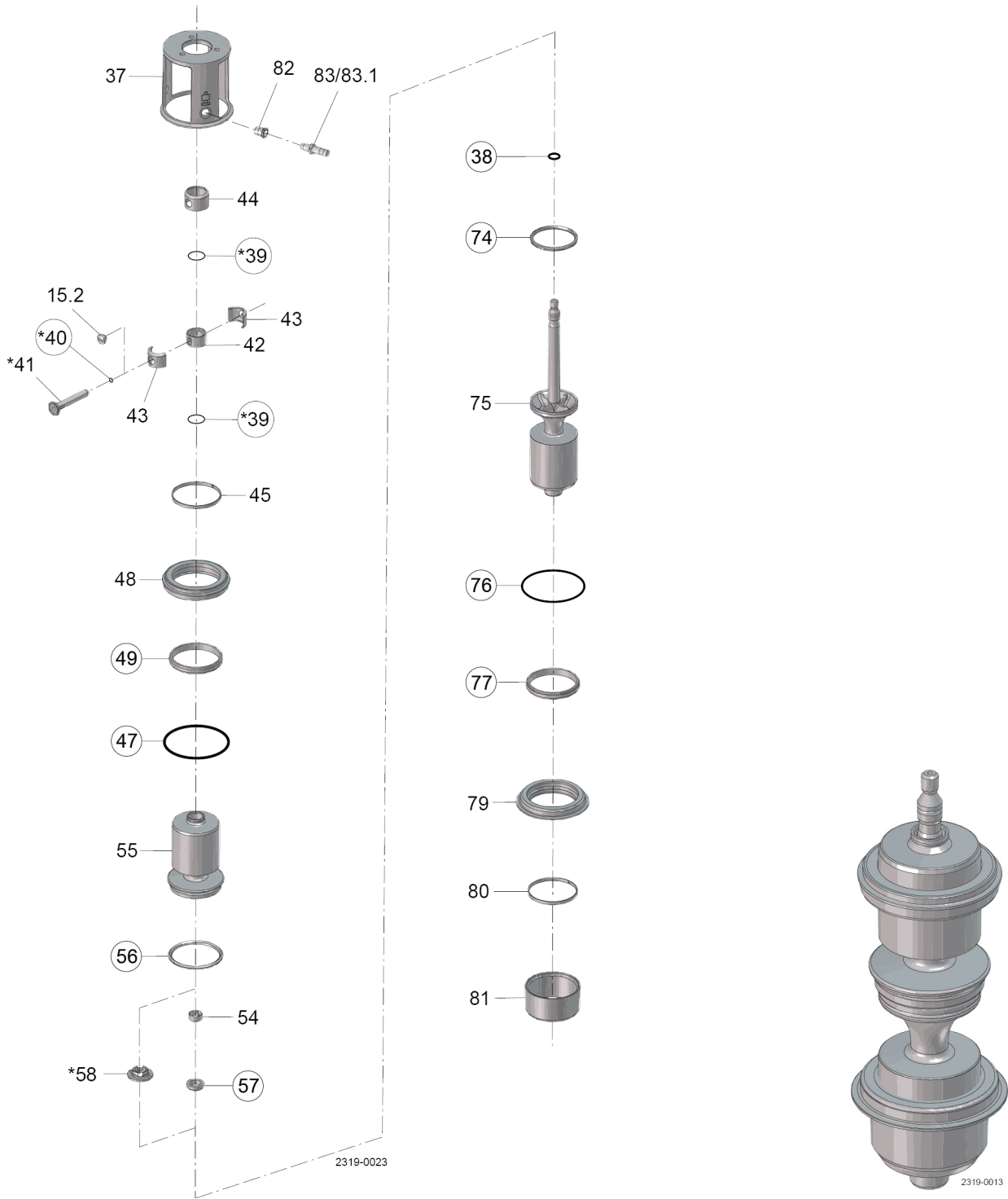
Service kits

		2"	2½"	3"	4"
		Seat ø53.3	Seat ø81.3	Seat ø81.3	Seat ø100.3
♦	Service kit, EPDM	9611928073	9611928077	9611928077	9611928081
♦	Service kit, NBR	9611928074	9611928078	9611928078	9611928082
♦	Service kit, FPM	9611928075	9611928079	9611928079	9611928083
♦	Service kit, HNBR	9611928076	9611928080	9611928080	9611928084

For mixed size housings, the service kit is determined by the smallest size connection on the valve.

NOTE!

All FPM service kits are supplied with EPDM seal ring, pos. 74.

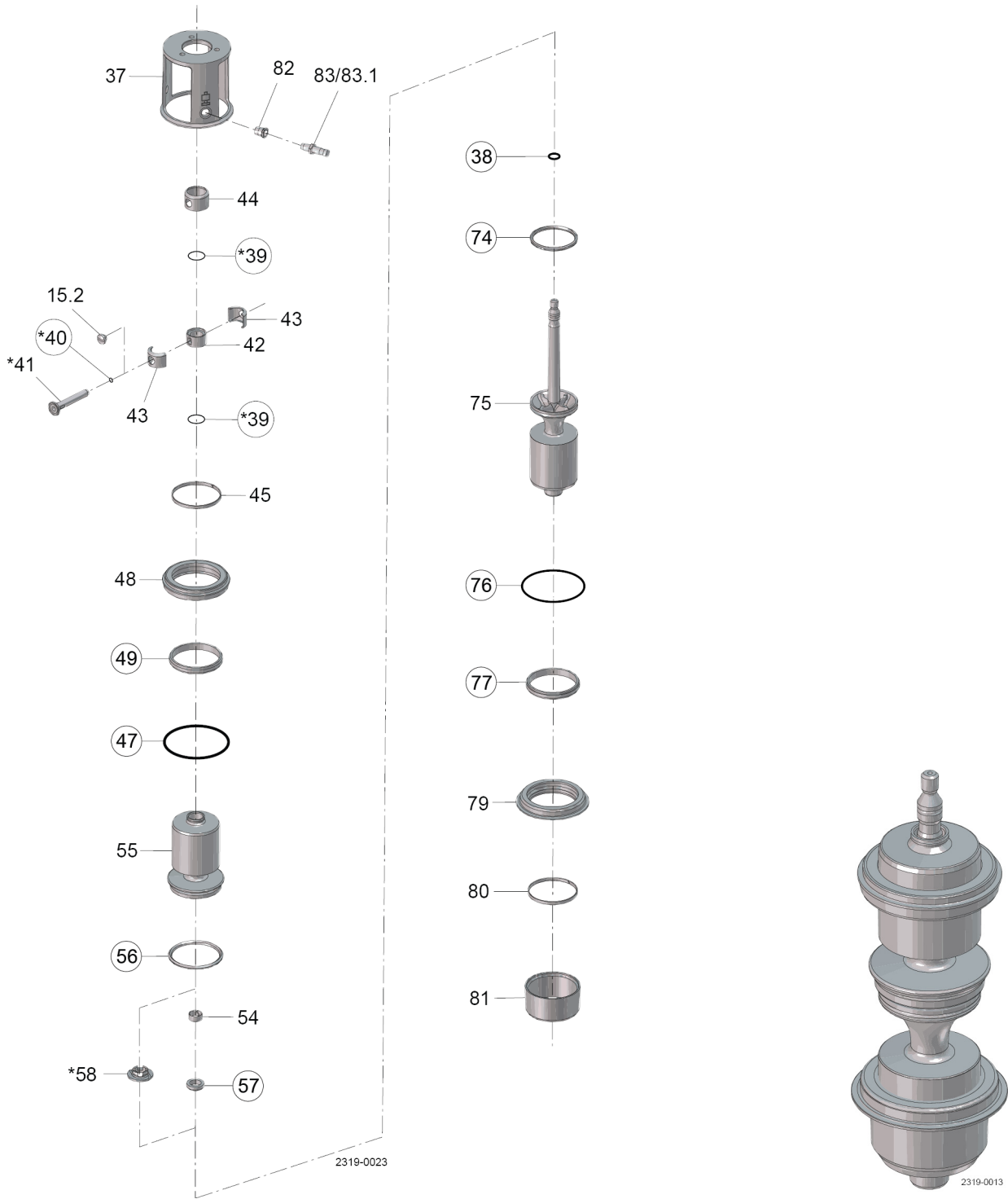


○ = wear parts

* = with SpiralClean in leakage chamber

Plug setup 12

Pos	Qty	Denomination	1½"	2"	2½"	3"	4"
Intermediate parts							
37	1	Intermediate piece	9614255501	9614255901	9614256301	9614256303	9614256701
82 Δ	1	Bolt for indication	9614257508	9614257508	9614257508	9614257508	9614257508
83 Δ	1	Sensor for indication	9611995770	9611995770	9611995770	9611995770	9611995770
83.1	1	Cable for sensor for indication	9611994915	9611994915	9611994915	9611994915	9611994915
Spindle liner							
15.2	1	Plug	9615331901	9615331901	9615331901	9615331901	9615331901
42	1	Spindle liner	9614221101	9614221101	9614205301	9614205301	9614205301
43	2	Clamp	9613011801	9613011801	9613009201	9613009201	9613009201
44	1	Lock	9613011701	9613011701	9613009101	9613009101	9613009101
Extra parts if SpiralClean in leakage chamber							
39	2	O-ring, EPDM	9611993492	9611993492	9611993493	9611993493	9611993493
40	1	O-ring, EPDM	9611995521	9611995521	9611995521	9611995521	9611995521
41	1	Flushing tube	9614205401	9614205401	9614205402	9614205402	9614205403
58	1	Spray nozzle, PVDF	9614221301	9614221301	9614221201	9614221201	9614221201
Upper sealing element							
45	1	Guide ring, PTFE	9613008412	9613008413	9613008414	9613008414	9613008420
47 ♦	1	O-ring, EPDM	9611993628	9611993632	9611993636	9611993636	9611993640
♦	1	O-ring, NBR	9611993629	9611993633	9611993637	9611993637	9611993641
♦	1	O-ring, FPM	9611993630	9611993634	9611993638	9611993638	9611993642
♦	1	O-ring, HNBR	9611993631	9611993635	9611993639	9611993639	9611993643
48	1	Upper sealing element, (blasted/Ra1.6)	9613015701	9613014202	9613006402	9613006402	9613066001
	1	Upper sealing element, (polished/Ra0.8)	9613015702	9613014204	9613006404	9613006404	9613066002
49 ♦	1	Lip seal, EPDM	9613008516	9613008521	9613008526	9613008526	9613008548
♦	1	Lip seal, NBR	9613008517	9613008522	9613008527	9613008527	9613008549
♦	1	Lip seal, FPM	9613008518	9613008523	9613008528	9613008528	9613008550
♦	1	Lip seal, HNBR	9613008519	9613008524	9613008529	9613008529	9613008551
Upper plug							
54	1	Guide ring, PTFE	9613008401	9613008401	9613008402	9613008402	9613008402
55	1	Upper plug	9614232501	9614233109	9614234007	9614234007	9614234505
56 ♦	1	Seal ring, EPDM	9613095106	9613095106	9613095109	9613095109	9613095119
♦	1	Seal ring, NBR	9613095114	9613095114	9613095115	9613095115	9613095120
♦	1	Seal ring, FPM	9613095105	9613095105	9613095108	9613095108	9613095118
♦	1	Seal ring, HNBR	9613095104	9613095104	9613095107	9613095107	9613095117
	1	Seal ring set, (10 pcs.) EPDM	8010023165	8010023165	8010023166	8010023166	8010023167
57 ♦	1	Lip seal, EPDM	9613008706	9613008706	9613008711	9613008711	9613008711
♦	1	Lip seal, NBR	9613008707	9613008707	9613008712	9613008712	9613008712
♦	1	Lip seal, FPM	9613008708	9613008708	9613008713	9613008713	9613008713
♦	1	Lip seal, HNBR	9613008709	9613008709	9613008714	9613008714	9613008714



○ = wear parts

* = with SpiralClean in leakage chamber

Plug setup 12

Pos	Qty	Denomination	1½"	2"	2½"	3"	4"
Lower plug							
38	♦	1 O-ring, EPDM	9611993555	9611993555	9611993572	9611993572	9611993572
		1 O-ring set, (10 pcs.) EPDM .	8010023163	8010023163	8010023164	8010023164	8010023164
74	♦	1 Seal ring, EPDM	9613095206	9613095206	9613095209	9613095209	9613095219
	♦	1 Seal ring, NBR	9613095214	9613095214	9613095215	9613095215	9613095220
	♦	1 Seal ring, FPM - Alfa Laval recommends EPDM	9613095205	9613095205	9613095208	9613095208	9613095218
	♦	1 Seal ring, HNBR	9613095204	9613095204	9613095207	9613095207	9613095217
		1 Seal ring set, (10 pcs.) EPDM	8010023169	8010023169	8010023170	8010023170	8010023171
75		1 Lower plug	9614202901	9614202937	9614201601	9614201601	9614217821
Lower sealing element							
76	♦	1 O-ring, EPDM	9611993628	9611993632	9611993636	9611993636	9611993640
	♦	1 O-ring, NBR	9611993629	9611993633	9611993637	9611993637	9611993641
	♦	1 O-ring, FPM	9611993630	9611993634	9611993638	9611993638	9611993642
	♦	1 O-ring, HNBR	9611993631	9611993635	9611993639	9611993639	9611993643
77	♦	1 Lip seal, EPDM	9613008516	9613008521	9613008526	9613008526	9613008548
	♦	1 Lip seal, NBR	9613008517	9613008522	9613008527	9613008527	9613008549
	♦	1 Lip seal, FPM	9613008518	9613008523	9613008528	9613008528	9613008550
	♦	1 Lip seal, HNBR	9613008519	9613008524	9613008529	9613008529	9613008551
79		1 Lower sealing element, (blasted/Ra1.6)	9613023701	9613023902	9613024102	9613024102	9613066201
		1 Lower sealing element, (polished/Ra0.8)	9613023702	9613023904	9613024104	9613024104	9613066202
80		1 Guide ring, PTFE	9613008412	9613008413	9613008414	9613008414	9613008420
81		1 Cover	9613049001	9613049005	9613049006	9613049006	9613049015
Extra parts if clamped valve body							
52		1 O-ring, EPDM	9611993628	9611993632	9611993636	9611993636	9611993640
		1 O-ring, NBR	9611993629	9611993633	9611993637	9611993637	9611993641
		1 O-ring, FPM	9611993630	9611993634	9611993638	9611993638	9611993642
		1 O-ring, HNBR	9611993631	9611993635	9611993639	9611993639	9611993643

NOTE!

If clamped valve body an extra O-ring (pos. 52) is required.

If SpiralClean in leakage chamber, extra O-rings (2x pos. 39 and 1x pos. 40) is required.

Δ Sensor service kit for valves delivered prior to October 2015 - 9611928351

Spare parts for mix size please refer to configurator in Alfa Laval Anytime

NOTE!

All FPM service kits are supplied with EPDM seal ring, pos. 74.

Service kits

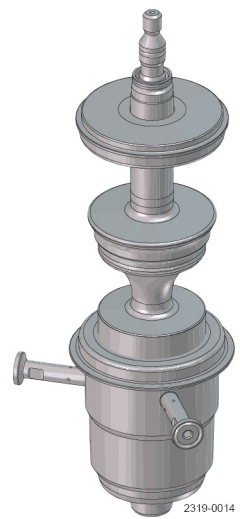
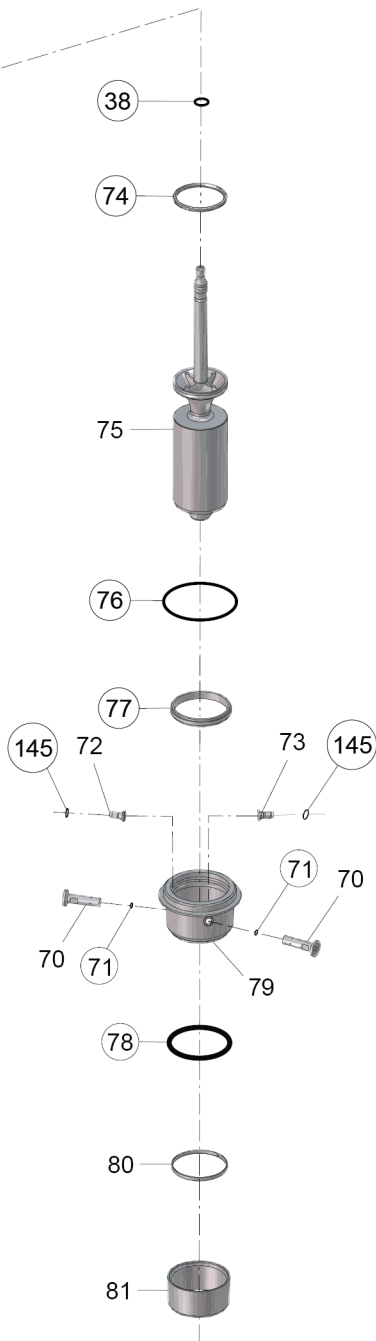
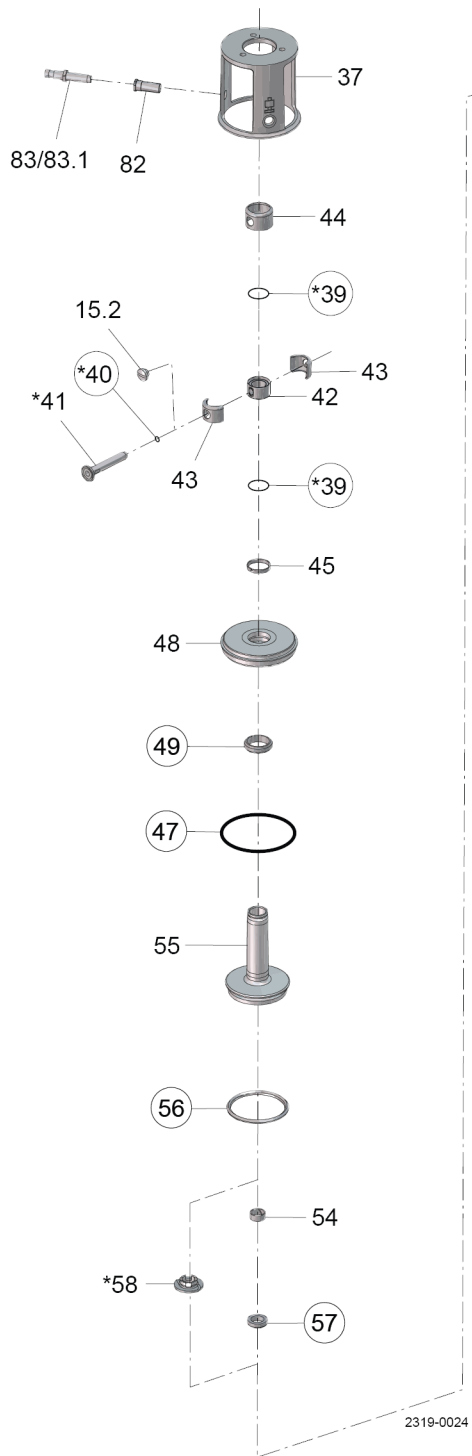
		1½"	2"	2½"	3"	4"
		Seat ø53.3	Seat ø53.3	Seat ø81.3	Seat ø81.3	Seat ø100.3
♦	Service kit, EPDM	9611928089	9611928093	9611928097	9611928097	9611928101
♦	Service kit, NBR	9611928090	9611928094	9611928098	9611928098	9611928102
♦	Service kit, FPM	9611928091	9611928095	9611928099	9611928099	9611928103
♦	Service kit, HNBR	9611928092	9611928096	9611928100	9611928100	9611928104

For mixed size housings, the service kit is determined by the smallest size connection on the valve.

NOTE!

All FPM service kits are supplied with EPDM seal ring, pos. 74.

Plug setup 13



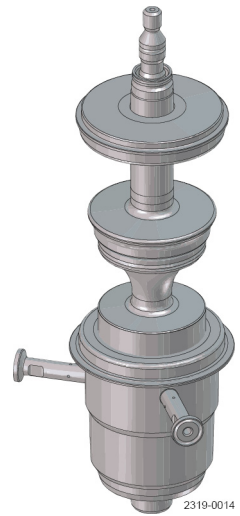
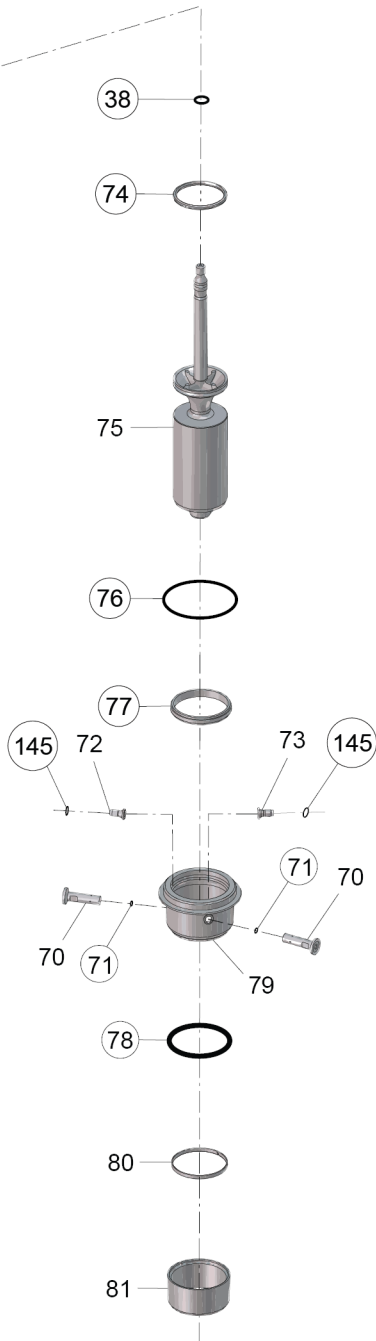
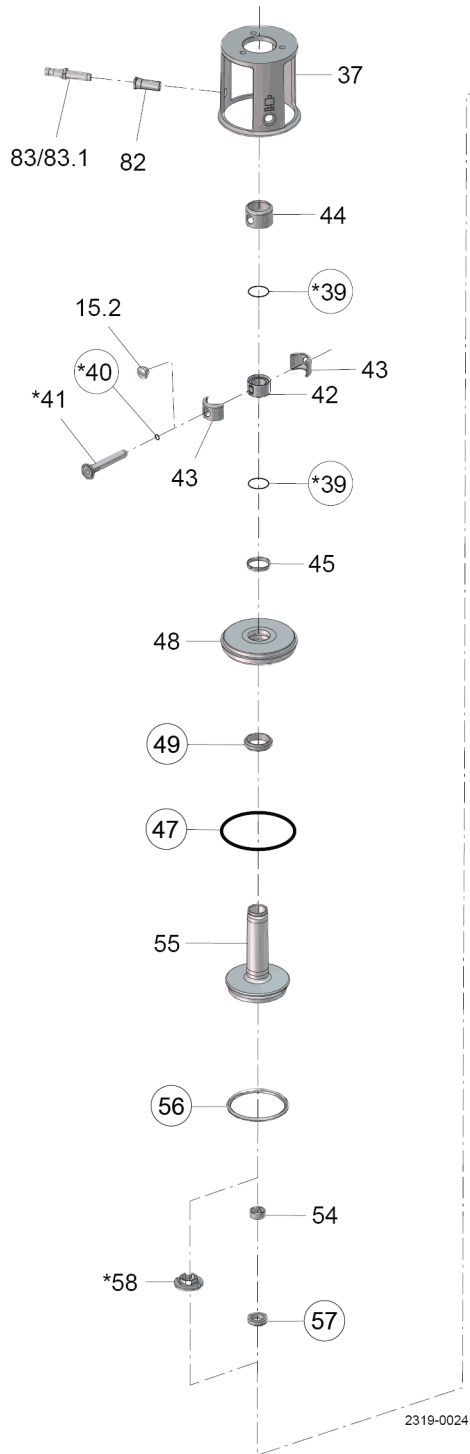
○ = wear parts

* = with SpiralClean in leakage chamber

Plug setup 13

Pos	Qty	Denomination	2"	2½"	3"	4"
Intermediate parts						
37	1	Intermediate piece	9614255901	9614256301	9614256303	9614256701
82	1	Bolt for indication	9614257508	9614257508	9614257508	9614257508
83	1	Sensor for indication	9611995199	9611995199	9611995199	9611995199
83.1	1	Cable for sensor for indication	9611994915	9611994915	9611994915	9611994915
Spindle liner						
15.2	1	Plug	9615331901	9615331901	9615331901	9615331901
42	1	Spindle liner	9614221101	9614205301	9614205301	9614205301
43	2	Clamp	9613011801	9613009201	9613009201	9613009201
44	1	Lock	9613011701	9613009101	9613009101	9613009101
Extra parts if SpiralClean in leakage chamber						
39	2	O-ring, EPDM	9611993492	9611993493	9611993493	9611993493
40	1	O-ring, EPDM	9611995521	9611995521	9611995521	9611995521
41	1	Flushing tube	9614205401	9614205402	9614205402	9614205403
58	1	Spray nozzle, PVDF	9614221301	9614221201	9614221201	9614221201
Upper sealing element						
45	1	Guide ring, PTFE	9613008416	9613008417	9613008417	9613008417
47	◆	O-ring, EPDM	9611993632	9611993636	9611993636	9611993640
	◆	O-ring, NBR	9611993633	9611993637	9611993637	9611993641
	◆	O-ring, FPM	9611993634	9611993638	9611993638	9611993642
	◆	O-ring, HNBR	9611993635	9611993639	9611993639	9611993643
48	1	Upper sealing element, (blasted/Ra1.6)	9613014201	9613006401	9613006401	9613018801
	1	Upper sealing element, (polished/Ra0.8)	9613014203	9613006403	9613006403	9613018803
49	◆	Lip seal, EPDM	9613008501	9613008511	9613008511	9613008511
	◆	Lip seal, NBR	9613008502	9613008512	9613008512	9613008512
	◆	Lip seal, FPM	9613008503	9613008513	9613008513	9613008513
	◆	Lip seal, HNBR	9613008504	9613008514	9613008514	9613008514
Upper plug						
54	1	Guide ring, PTFE	9613008401	9613008402	9613008402	9613008402
55	1	Upper plug	9614233101	9614234001	9614234001	9614234501
56	◆	Seal ring, EPDM	9613095106	9613095109	9613095109	9613095119
	◆	Seal ring, NBR	9613095114	9613095115	9613095115	9613095120
	◆	Seal ring, FPM	9613095105	9613095108	9613095108	9613095118
	◆	Seal ring, HNBR	9613095104	9613095107	9613095107	9613095117
	1	Seal ring set, (10 pcs.) EPDM	8010023165	8010023166	8010023166	8010023167
57	◆	Lip seal, EPDM	9613008706	9613008711	9613008711	9613008711
	◆	Lip seal, NBR	9613008707	9613008712	9613008712	9613008712
	◆	Lip seal, FPM	9613008708	9613008713	9613008713	9613008713
	◆	Lip seal, HNBR	9613008709	9613008714	9613008714	9613008714

Plug setup 13



○ = wear parts

* = with SpiralClean in leakage chamber

Plug setup 13

Pos	Qty	Denomination	2"	2½"	3"	4"
Lower plug						
38	♦	1 O-ring, EPDM	9611993555	9611993572	9611993572	9611993572
		1 O-ring set, (10 pcs.) EPDM	8010023163	8010023164	8010023164	8010023164
74	♦	1 Seal ring, EPDM	9613095206	9613095209	9613095209	9613095219
	♦	1 Seal ring, NBR	9613095214	9613095215	9613095215	9613095220
	♦	1 Seal ring, FPM - Alfa Laval recommends EPDM	9613095205	9613095208	9613095208	9613095218
	♦	1 Seal ring, HNBR	9613095204	9613095207	9613095207	9613095217
		1 Seal ring set, (10 pcs.) EPDM	8010023169	8010023170	8010023170	8010023171
75		1 Lower plug	9614202938	9614201602	9614201602	9614217822
Lower sealing element						
70		2 Flushing tube	9614205802	9614205803	9614205803	9614205804
71	♦	2 O-ring, EPDM	9611995523	9611995523	9611995523	9611995523
72		1 Drain	9614205701	9614205701	9614205701	9614205701
73		1 Nozzle	9614205601	9614205601	9614205601	9614205601
145	♦	2 O-ring, EPDM	8010000690	8010000690	8010000690	8010000690
76	♦	1 O-ring, EPDM	9611993632	9611993636	9611993636	9611993640
	♦	1 O-ring, NBR	9611993633	9611993637	9611993637	9611993641
	♦	1 O-ring, FPM	9611993634	9611993638	9611993638	9611993642
	♦	1 O-ring, HNBR	9611993635	9611993639	9611993639	9611993643
77	♦	1 Lip seal, EPDM	9613008521	9613008526	9613008526	9613008548
	♦	1 Lip seal, NBR	9613008522	9613008527	9613008527	9613008549
	♦	1 Lip seal, FPM	9613008523	9613008528	9613008528	9613008550
	♦	1 Lip seal, HNBR	9613008524	9613008529	9613008529	9613008551
78	♦	1 O-ring, EPDM	9611993650	9611993651	9611993651	9611994407
79		1 Lower sealing element, (blasted/Ra1.6)	9614220701	9614220801	9614220801	9614220901
		1 Lower sealing element, (polished/Ra0.8)	9614220702	9614220802	9614220802	9614220902
80		1 Guide ring, PTFE	9613008413	9613008414	9613008414	9613008420
81		1 Cover	9613049005	9613049006	9613049006	9613049015
Extra parts if clamped valve body						
52		1 O-ring, EPDM	9611993632	9611993636	9611993636	9611993640
		1 O-ring, NBR	9611993633	9611993637	9611993637	9611993641
		1 O-ring, FPM	9611993634	9611993638	9611993638	9611993642
		1 O-ring, HNBR	9611993635	9611993639	9611993639	9611993643

NOTE!

If clamped valve body an extra O-ring (pos. 52) is required.

If SpiralClean in leakage chamber, extra O-rings (2x pos. 39 and 1x pos. 40) is required.

Spare parts for mix size please refer to configurator in Alfa Laval Anytime

NOTE!

All FPM service kits are supplied with EPDM seal ring, pos. 74.

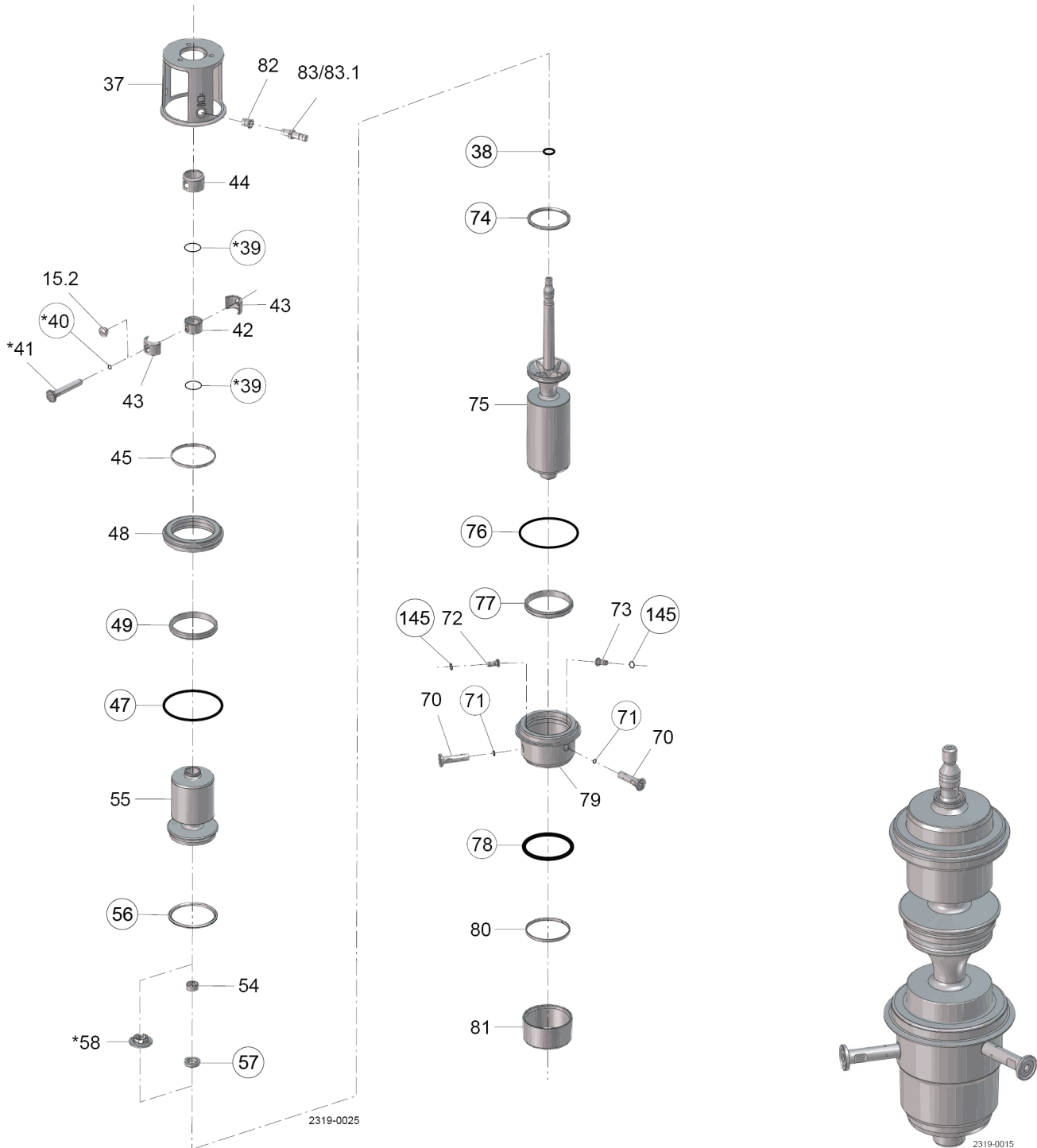
Service kits

		2"	2½"	3"	4"
		Seat ø53.3	Seat ø81.3	Seat ø81.3	Seat ø100.3
♦	Service kit, EPDM	9611928109	9611928113	9611928113	9611928117
♦	Service kit, NBR	9611928110	9611928114	9611928114	9611928118
♦	Service kit, FPM	9611928111	9611928115	9611928115	9611928119
♦	Service kit, HNBR	9611928112	9611928116	9611928116	9611928120

For mixed size housings, the service kit is determined by the smallest size connection on the valve.

NOTE!

All FPM service kits are supplied with EPDM seal ring, pos. 74.



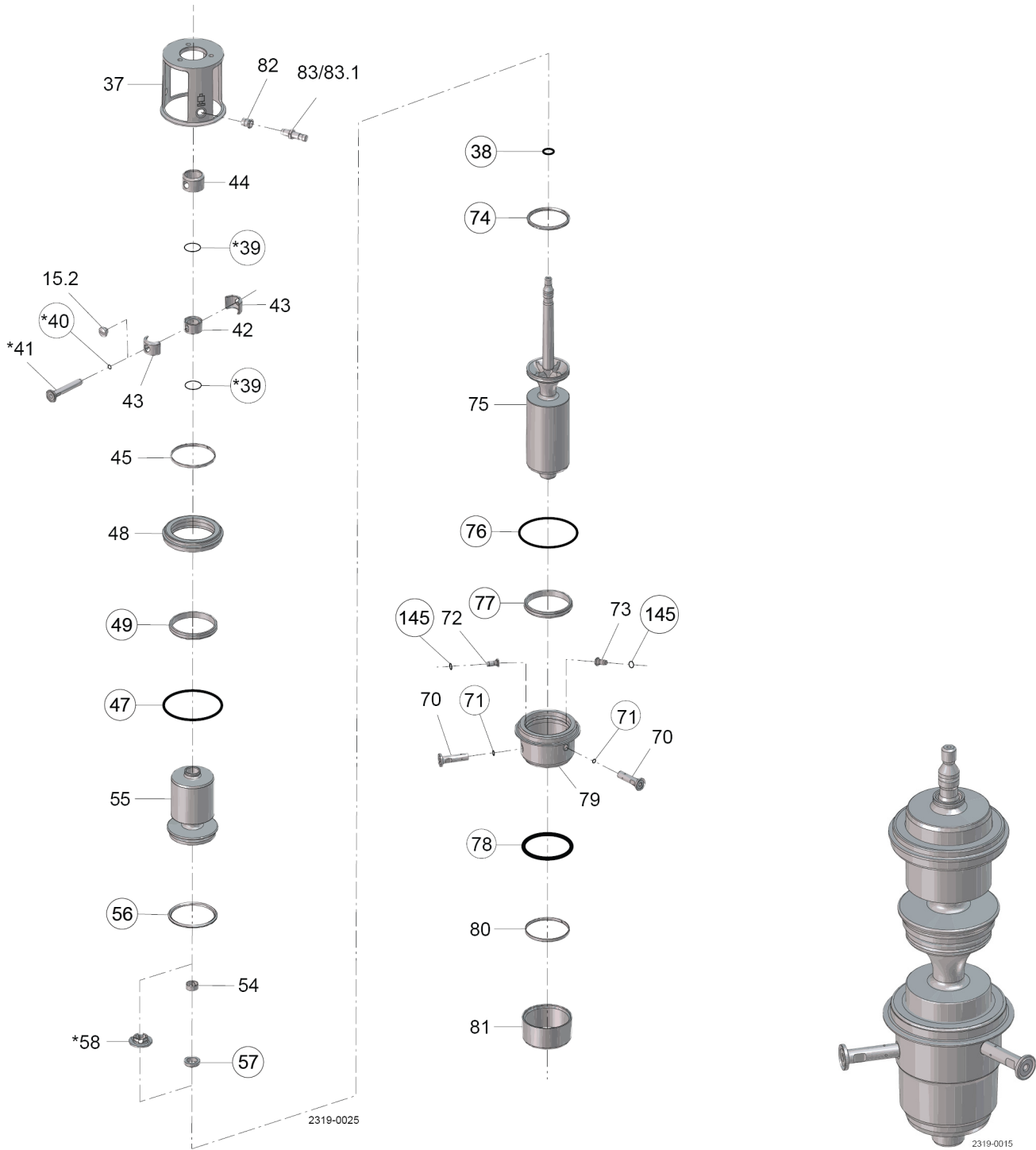
○ = wear parts

* = with SpiralClean in leakage chamber

Plug setup 14

Pos	Qty	Denomination	1½"	2"	2½"	3"	4"
Intermediate parts							
37	1	Intermediate piece	9614255501	9614255901	9614256301	9614256303	9614256701
82 Δ	1	Bolt for indication	9614257508	9614257508	9614257508	9614257508	9614257508
83 Δ	1	Sensor for indication	9611995770	9611995770	9611995770	9611995770	9611995770
83.1	1	Cable for sensor for indication	9611994915	9611994915	9611994915	9611994915	9611994915
Spindle liner							
15.2	1	Plug	9615331901	9615331901	9615331901	9615331901	9615331901
42	1	Spindle liner	9614221101	9614221101	9614205301	9614205301	9614205301
43	2	Clamp	9613011801	9613011801	9613009201	9613009201	9613009201
44	1	Lock	9613011701	9613011701	9613009101	9613009101	9613009101
Extra parts if SpiralClean in leakage chamber							
39	2	O-ring, EPDM	9611993492	9611993492	9611993493	9611993493	9611993493
40	1	O-ring, EPDM	9611995521	9611995521	9611995521	9611995521	9611995521
41	1	Flushing tube	9613205401	9613205401	9614205402	9614205402	9614205403
58	1	Spray nozzle, PVDF	9613221301	9613221301	9614221201	9614221201	9614221201
Upper sealing element							
45	1	Guide ring, PTFE	9613008412	9613008413	9613008414	9613008414	9613008420
47 ♦	1	O-ring, EPDM	9611993628	9611993632	9611993636	9611993636	9611993640
♦	1	O-ring, NBR	9611993629	9611993633	9611993637	9611993637	9611993641
♦	1	O-ring, FPM	9611993630	9611993634	9611993638	9611993638	9611993642
♦	1	O-ring, HNBR	9611993631	9611993635	9611993639	9611993639	9611993643
48	1	Upper sealing element, (blasted/Ra1.6)	9613015701	9613014202	9613006402	9613006402	9613066001
	1	Upper sealing element, (polished/Ra0.8)	9613015702	9613014204	9613006404	9613006404	9613066002
49 ♦	1	Lip seal, EPDM	9613008516	9613008521	9613008526	9613008526	9613008548
♦	1	Lip seal, NBR	9613008517	9613008522	9613008527	9613008527	9613008549
♦	1	Lip seal, FPM	9613008518	9613008523	9613008528	9613008528	9613008550
♦	1	Lip seal, HNBR	9613008519	9613008524	9613008529	9613008529	9613008551
Upper plug							
54	1	Guide ring, PTFE	9613008401	9613008401	9613008402	9613008402	9613008402
55	1	Upper plug	9614232501	9614233109	9614234007	9614234007	9614234505
56 ♦	1	Seal ring, EPDM	9613095106	9613095106	9613095109	9613095109	9613095119
♦	1	Seal ring, NBR	9613095114	9613095114	9613095115	9613095115	9613095120
♦	1	Seal ring, FPM	9613095105	9613095105	9613095108	9613095108	9613095118
♦	1	Seal ring, HNBR	9613095104	9613095104	9613095107	9613095107	9613095117
	1	Seal ring set, (10 pcs.) EPDM	8010023165	8010023165	8010023166	8010023166	8010023167
57 ♦	1	Lip seal, EPDM	9613008706	9613008706	9613008711	9613008711	9613008711
♦	1	Lip seal, NBR	9613008707	9613008707	9613008712	9613008712	9613008712
♦	1	Lip seal, FPM	9613008708	9613008708	9613008713	9613008713	9613008713
♦	1	Lip seal, HNBR	9613008709	9613008709	9613008714	9613008714	9613008714

Plug setup 14



○ = wear parts

* = with SpiralClean in leakage chamber

Plug setup 14

Pos	Qty	Denomination	1½"	2"	2½"	3"	4"
Lower plug							
38	♦	1 O-ring, EPDM	9611993555	9611993555	9611993572	9611993572	9611993572
		1 O-ring set, (10 pcs.) EPDM .	8010023163	8010023163	8010023164	8010023164	8010023164
74	♦	1 Seal ring, EPDM	9613095206	9613095206	9613095209	9613095209	9613095219
	♦	1 Seal ring, NBR	9613095214	9613095214	9613095215	9613095215	9613095220
	♦	1 Seal ring, FPM - Alfa Laval recommends EPDM	9613095205	9613095205	9613095208	9613095208	9613095218
	♦	1 Seal ring, HNBR	9613095204	9613095204	9613095207	9613095207	9613095217
		1 Seal ring set, (10 pcs.) EPDM	8010023169	8010023169	8010023170	8010023170	8010023171
75		1 Lower plug	9614202902	9614202938	9614201602	9614201602	9614217822
Lower sealing element							
70		2 Flushing tube	9614205801	9614205802	9614205803	9614205803	9614205804
71	♦	2 O-ring, EPDM	9611995523	9611995523	9611995523	9611995523	9611995523
72		1 Drain	8010000689	9614205701	9614205701	9614205701	9614205701
73		1 Nozzle	8010000688	9614205601	9614205601	9614205601	9614205601
145	♦	2 O-ring, EPDM	8010000690	8010000690	8010000690	8010000690	8010000690
76	♦	1 O-ring, EPDM	9611993628	9611993632	9611993636	9611993636	9611993640
	♦	1 O-ring, NBR	9611993629	9611993633	9611993637	9611993637	9611993641
	♦	1 O-ring, FPM	9611993630	9611993634	9611993638	9611993638	9611993642
	♦	1 O-ring, HNBR	9611993631	9611993635	9611993639	9611993639	9611993643
77	♦	1 Lip seal, EPDM	9613008516	9613008521	9613008526	9613008526	9613008548
	♦	1 Lip seal, NBR	9613008517	9613008522	9613008527	9613008527	9613008549
	♦	1 Lip seal, FPM	9613008518	9613008523	9613008528	9613008528	9613008550
	♦	1 Lip seal, HNBR	9613008519	9613008524	9613008529	9613008529	9613008551
78	♦	1 O-ring, EPDM	9611993655	9611993650	9611993651	9611993651	9611994407
79		1 Lower sealing element, (blasted/Ra1.6)	9614220501	9614220701	9614220801	9614220801	9614220901
		1 Lower sealing element, (polished/Ra0.8)	9614220502	9614220702	9614220802	9614220802	9614220902
80		1 Guide ring, PTFE	9613008412	9613008413	9613008414	9613008414	9613008420
81		1 Cover	9613049001	9613049005	9613049006	9613049006	9613049015
Extra parts if clamped valve body							
52		1 O-ring, EPDM	9611993628	9611993632	9611993636	9611993636	9611993640
		1 O-ring, NBR	9611993629	9611993633	9611993637	9611993637	9611993641
		1 O-ring, FPM	9611993630	9611993634	9611993638	9611993638	9611993642
		1 O-ring, HNBR	9611993631	9611993635	9611993639	9611993639	9611993643

NOTE!

If clamped valve body an extra O-ring (pos. 52) is required.

If SpiralClean in leakage chamber, extra O-rings (2x pos. 39 and 1x pos. 40) is required.

Δ Sensor service kit for valves delivered prior to October 2015 - 9611928351

Spare parts for mix size please refer to configurator in Alfa Laval Anytime

NOTE!

All FPM service kits are supplied with EPDM seal ring, pos. 74.

Service kits

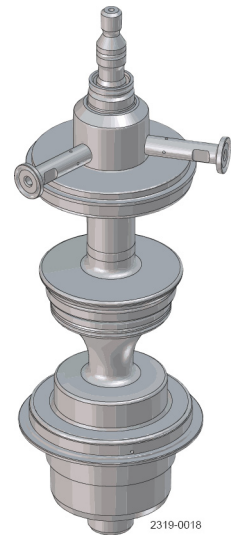
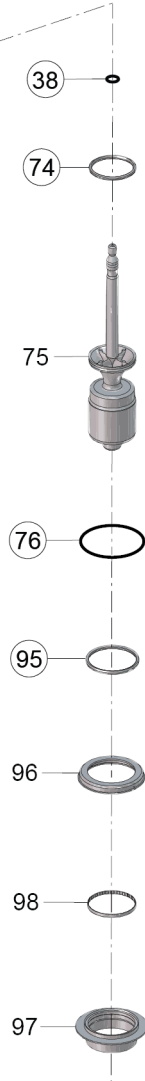
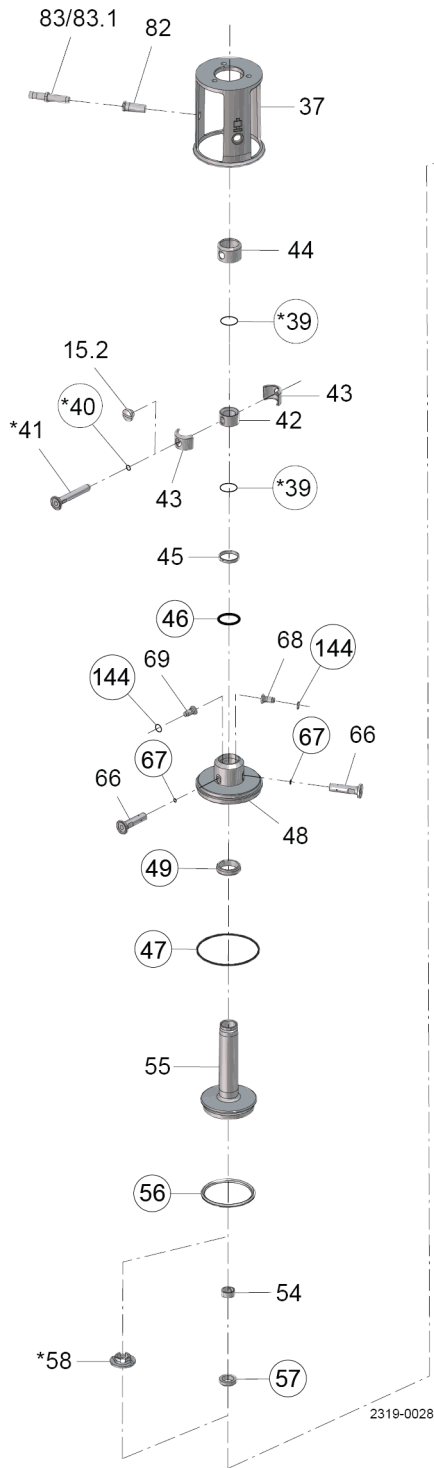
		1½"	2"	2½"	3"	4"
		Seat ø53.3	Seat ø53.3	Seat ø81.3	Seat ø81.3	Seat ø100.3
♦	Service kit, EPDM	9611928017	9611928021	9611928025	9611928025	9611928029
♦	Service kit, NBR	9611928018	9611928022	9611928026	9611928026	9611928030
♦	Service kit, FPM	9611928019	9611928023	9611928027	9611928027	9611928031
♦	Service kit, HNBR	9611928020	9611928024	9611928028	9611928028	9611928032

For mixed size housings, the service kit is determined by the smallest size connection on the valve.

NOTE!

All FPM service kits are supplied with EPDM seal ring, pos. 74.

Plug setup 17



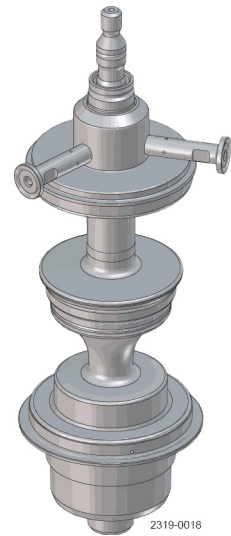
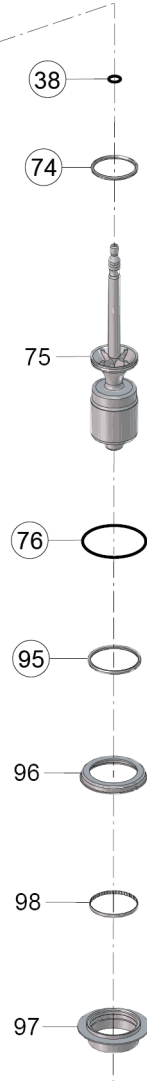
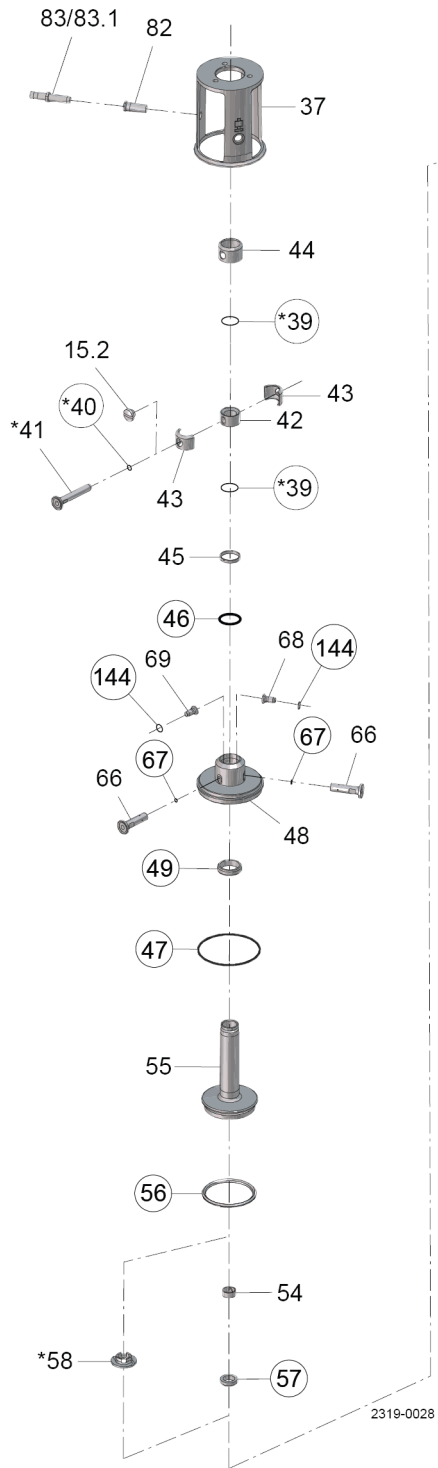
○ = wear parts

* = with SpiralClean in leakage chamber

Plug setup 17

Pos	Qty	Denomination	2"	2½"	3"	4"
Intermediate parts						
37	1	Intermediate piece	9614255902	9614256302	9614256304	9614256702
82	1	Bolt for indication	9614257508	9614257508	9614257508	9614257508
83	1	Sensor for indication	9611995199	9611995199	9611995199	9611995199
83.1	1	Cable for sensor for indication	9611994915	9611994915	9611994915	9611994915
Spindle liner						
15.2	1	Plug	9615331901	9615331901	9615331901	9615331901
42	1	Spindle liner	9614221101	9614205301	9614205301	9614205301
43	2	Clamp	9613011801	9613009201	9613009201	9613009201
44	1	Lock	9613011701	9613009101	9613009101	9613009101
Extra parts if SpiralClean in leakage chamber						
39	2	O-ring, EPDM	9611993492	9611993493	9611993493	9611993493
40	1	O-ring, EPDM	9611995521	9611995521	9611995521	9611995521
41	1	Flushing tube	9613205401	9614205402	9614205402	9614205403
58	1	Spray nozzle, PVDF	9613221301	9614221201	9614221201	9614221201
Upper sealing element						
45	1	Guide ring, PTFE	9613008416	9613008417	9613008417	9613008417
46 ♦	1	O-ring, EPDM	9611993653	9611993654	9611993654	9611993654
47 ♦	1	O-ring, EPDM	9611993632	9611993636	9611993636	9611993640
♦	1	O-ring, NBR	9611993633	9611993637	9611993637	9611993641
♦	1	O-ring, FPM	9611993634	9611993638	9611993638	9611993642
♦	1	O-ring, HNBR	9611993635	9611993639	9611993639	9611993643
48	1	Upper sealing element, (blasted/Ra1.6)	9614220201	9614220301	9614220301	9614220401
	1	Upper sealing element, (polished/Ra0.8)	9614220202	9614220302	9614220302	9614220402
49 ♦	1	Lip seal, EPDM	9613008501	9613008511	9613008511	9613008511
♦	1	Lip seal, NBR	9613008502	9613008512	9613008512	9613008512
♦	1	Lip seal, FPM	9613008503	9613008513	9613008513	9613008513
♦	1	Lip seal, HNBR	9613008504	9613008514	9613008514	9613008514
66	2	Flushing tube	9614205802	9614205803	9614205803	9614205804
67 ♦	2	O-ring, EPDM	9611995523	9611995523	9611995523	9611995523
68	1	Drain	8010000689	8010000689	8010000689	8010000689
69	1	Nozzle	8010000688	8010000688	8010000688	8010000688
144 ♦	2	O-ring, EPDM	8010000690	8010000690	8010000690	8010000690
Upper plug						
54	1	Guide ring, PTFE	9613008401	9613008402	9613008402	9613008402
55	1	Upper plug	9614233102	9614234002	9614234002	9614234502
56 ♦	1	Seal ring, EPDM	9613095106	9613095109	9613095109	9613095119
♦	1	Seal ring, NBR	9613095114	9613095115	9613095115	9613095120
♦	1	Seal ring, FPM	9613095105	9613095108	9613095108	9613095118
♦	1	Seal ring, HNBR	9613095104	9613095107	9613095107	9613095117
	1	Seal ring set, (10 pcs.) EPDM	8010023165	8010023166	8010023166	8010023167
57 ♦	1	Lip seal, EPDM	9613008706	9613008711	9613008711	9613008711
♦	1	Lip seal, NBR	9613008707	9613008712	9613008712	9613008712
♦	1	Lip seal, FPM	9613008708	9613008713	9613008713	9613008713
♦	1	Lip seal, HNBR	9613008709	9613008714	9613008714	9613008714

Plug setup 17



○ = wear parts

* = with SpiralClean in leakage chamber

Plug setup 17

Pos	Qty	Denomination	2"	2½"	3"	4"
Lower plug						
38	♦	1 O-ring, EPDM	9611993555	9611993572	9611993572	9611993572
		1 O-ring set, (10 pcs.) EPDM	8010023163	8010023164	8010023164	8010023164
74	♦	1 Seal ring, EPDM	9613095206	9613095209	9613095209	9613095219
	♦	1 Seal ring, NBR	9613095214	9613095215	9613095215	9613095220
	♦	1 Seal ring, FPM - Alfa Laval recommends EPDM	9613095205	9613095208	9613095208	9613095218
	♦	1 Seal ring, HNBR	9613095204	9613095207	9613095207	9613095217
		1 Seal ring set, (10 pcs.) EPDM	8010023169	8010023170	8010023170	8010023171
75		1 Lower plug	9614204822	9614201622	9614201634	9614217802
Lower sealing element						
76	♦	1 O-ring, EPDM	9611993632	9611993636	9611993636	9611993640
	♦	1 O-ring, NBR	9611993633	9611993637	9611993637	9611993641
	♦	1 O-ring, FPM	9611993634	9611993638	9611993638	9611993642
	♦	1 O-ring, HNBR	9611993635	9611993639	9611993639	9611993643
95	♦	1 Special lip seal, EPDM	9613464215	9613464203	9613464203	9613464219
	♦	1 Special lip seal, NBR	9613464216	9613464204	9613464204	9613464220
	♦	1 Special lip seal, HNBR	9613464213	9613464201	9613464201	9613464217
	♦	1 Special lip seal, FPM	9613464214	9613464202	9613464202	9613464218
96		1 Lower sealing element, upper part	9613475801	9613465201	9613465201	9613476001
97		1 Lower sealing element, lower part	9613475901	9613465301	9613465301	9613476101
98		1 Guide ring, Turcite	9613466104	9613466101	9613466101	9613466105
Extra parts if clamped valve body						
52		1 O-ring, EPDM	9611993632	9611993636	9611993636	9611993640
		1 O-ring, NBR	9611993633	9611993637	9611993637	9611993641
		1 O-ring, FPM	9611993634	9611993638	9611993638	9611993642
		1 O-ring, HNBR	9611993635	9611993639	9611993639	9611993643

NOTE!

If clamped valve body an extra O-ring (pos. 52) is required.

If SpiralClean in leakage chamber, extra O-rings (2x pos. 39 and 1x pos. 40) is required.

Spare parts for mix size please refer to configurator in Alfa Laval Anytime

NOTE!

All FPM service kits are supplied with EPDM seal ring, pos. 74.

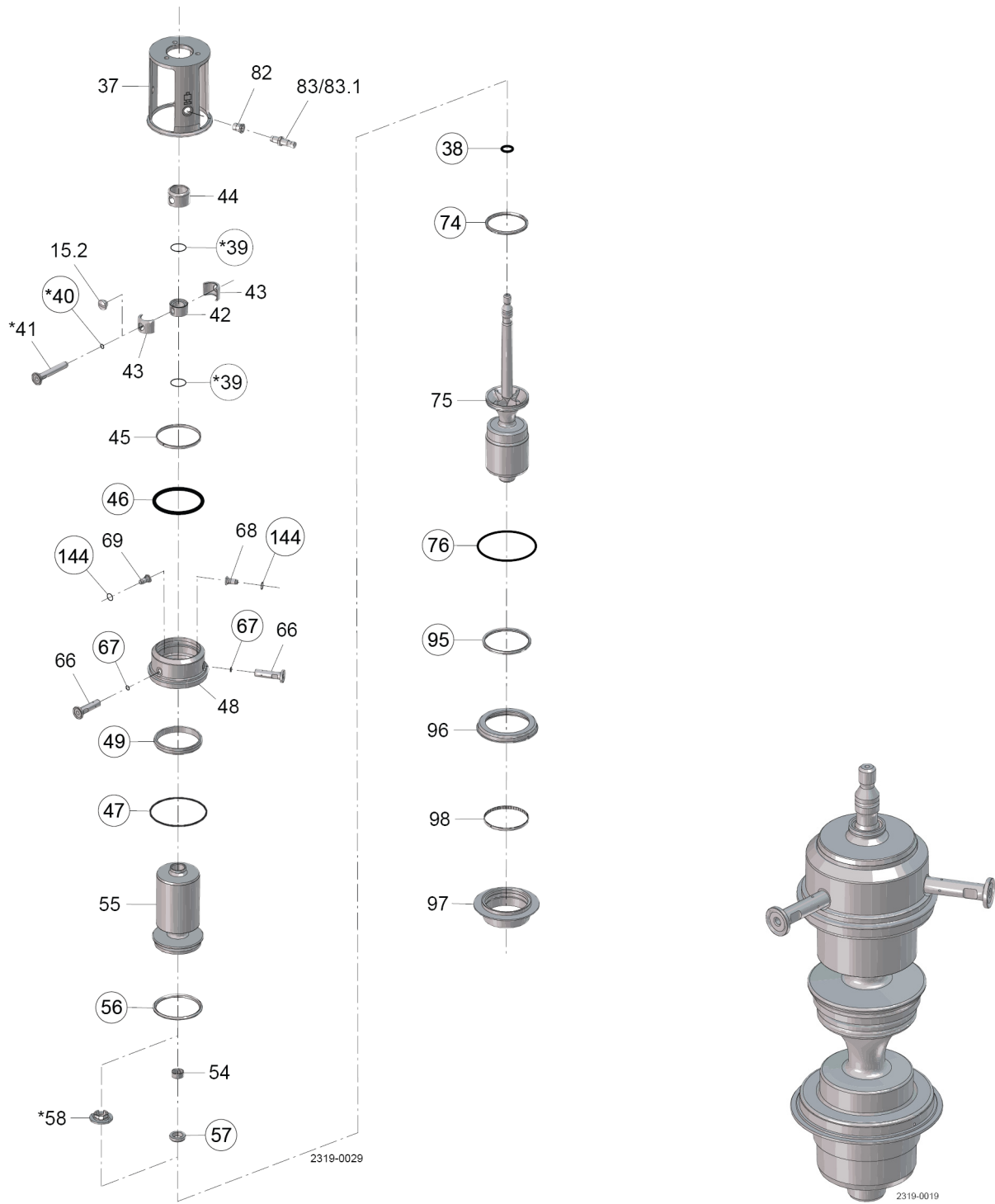
Service kits

		2" Seat ø53.3	2½" Seat ø81.3	3" Seat ø81.3	4" Seat ø100.3
♦	Service kit, EPDM	9611928221	9611928225	9611928225	9611928229
♦	Service kit, NBR	9611928222	9611928226	9611928226	9611928230
♦	Service kit, FPM	9611928223	9611928227	9611928227	9611928231
♦	Service kit, HNBR	9611928224	9611928228	9611928228	9611928232

For mixed size housings, the service kit is determined by the smallest size connection on the valve.

NOTE!

All FPM service kits are supplied with EPDM seal ring, pos. 74.

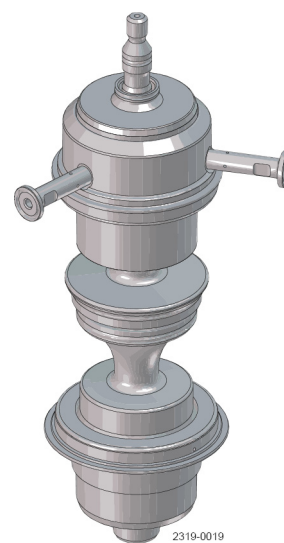
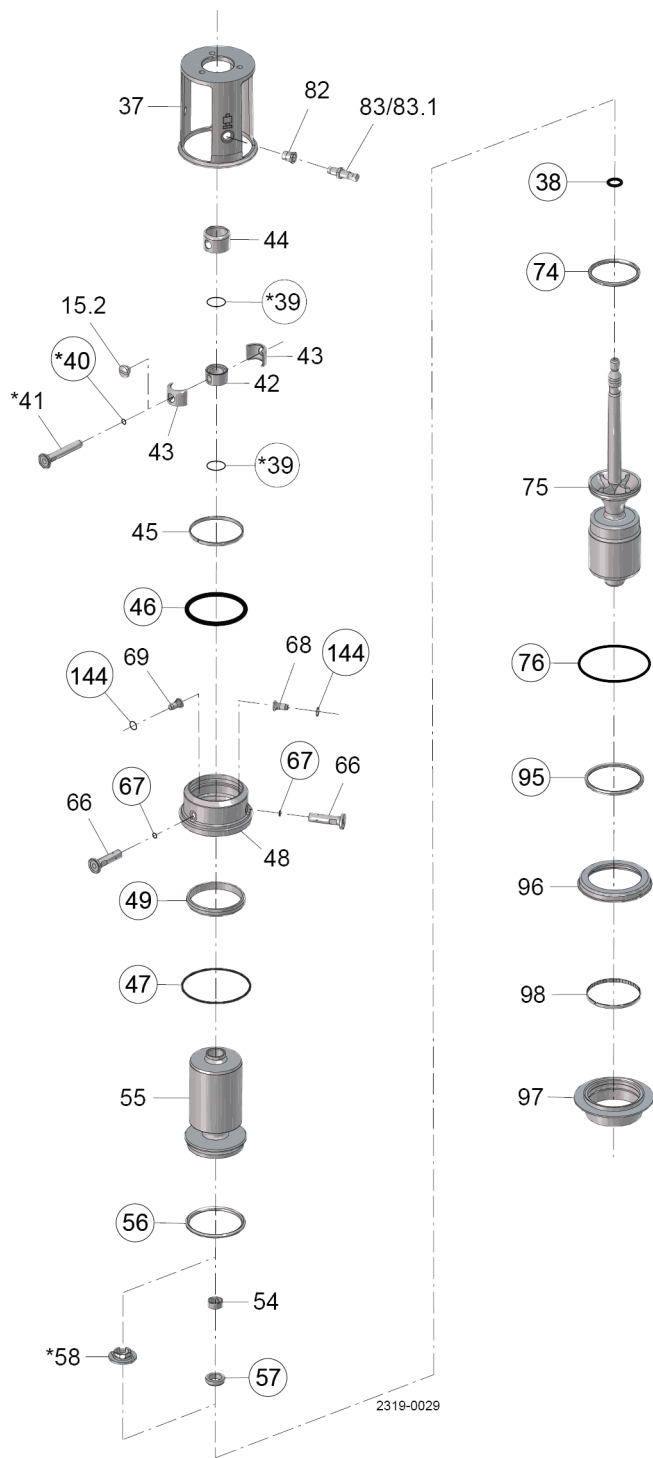


○ = wear parts

* = with SpiralClean in leakage chamber

Plug setup 18

Pos	Qty	Denomination	1½"	2"	2½"	3"	4"
Intermediate parts							
37	1	Intermediate piece	9614255502	9614255902	9614256302	9614256304	9614256702
82 Δ	1	Bolt for indication	9614257508	9614257508	9614257508	9614257508	9614257508
83 Δ	1	Sensor for indication	9611995770	9611995770	9611995770	9611995770	9611995770
83.1	1	Cable for sensor for indication	9611994915	9611994915	9611994915	9611994915	9611994915
Spindle liner							
15.2	1	Plug	9615331901	9615331901	9615331901	9615331901	9615331901
42	1	Spindle liner	9614221101	9614221101	9614205301	9614205301	9614205301
43	2	Clamp	9613011801	9613011801	9613009201	9613009201	9613009201
44	1	Lock	9613011701	9613011701	9613009101	9613009101	9613009101
Extra parts if SpiralClean in leakage chamber							
39	2	O-ring, EPDM	9611993492	9611993492	9611993493	9611993493	9611993493
40	1	O-ring, EPDM	9611995521	9611995521	9611995521	9611995521	9611995521
41	1	Flushing tube	9613205401	9613205401	9614205402	9614205402	9614205403
58	1	Spray nozzle, PVDF	9613221301	9613221301	9614221201	9614221201	9614221201
Upper sealing element							
45	1	Guide ring, PTFE	9613008412	9613008413	9613008414	9613008414	9613008420
46 ♦	1	O-ring, EPDM	9611993655	9611993650	9611993651	9611993651	9611994407
47 ♦	1	O-ring, EPDM	9611993628	9611993632	9611993636	9611993636	9611993640
♦	1	O-ring, NBR	9611993629	9611993633	9611993637	9611993637	9611993641
♦	1	O-ring, FPM	9611993630	9611993634	9611993638	9611993638	9611993642
♦	1	O-ring, HNBR	9611993631	9611993635	9611993639	9611993639	9611993643
48	1	Upper sealing element, (blasted/Ra1.6)	9614220101	9614219801	9614205901	9614205901	9614219901
	1	Upper sealing element, (polished/Ra0.8)	9614220102	9614219802	9614205902	9614205902	9614219902
49 ♦	1	Lip seal, EPDM	9613008516	9613008521	9613008526	9613008526	9613008548
♦	1	Lip seal, NBR	9613008517	9613008522	9613008527	9613008527	9613008549
♦	1	Lip seal, FPM	9613008518	9613008523	9613008528	9613008528	9613008550
♦	1	Lip seal, HNBR	9613008519	9613008524	9613008529	9613008529	9613008551
66	2	Flushing tube	9614205801	9614205802	9614205803	9614205803	9614205804
67 ♦	2	O-ring, EPDM	9611995523	9611995523	9611995523	9611995523	9611995523
68	1	Drain	8010000689	8010000689	8010000689	8010000689	9614205701
69	1	Nozzle	8010000688	8010000688	8010000688	8010000688	9614205601
144 ♦	2	O-ring, EPDM	8010000690	8010000690	8010000690	8010000690	8010000690
Upper plug							
54	1	Guide ring, PTFE	9613008401	9613008401	9613008402	9613008402	9613008402
55	1	Upper plug	9614232502	9614233110	9614234008	9614234008	9614234506
56 ♦	1	Seal ring, EPDM	9613095106	9613095106	9613095109	9613095109	9613095119
♦	1	Seal ring, NBR	9613095114	9613095114	9613095115	9613095115	9613095120
♦	1	Seal ring, FPM	9613095105	9613095105	9613095108	9613095108	9613095118
♦	1	Seal ring, HNBR	9613095104	9613095104	9613095107	9613095107	9613095117
	1	Seal ring set, (10 pcs.) EPDM	8010023165	8010023165	8010023166	8010023166	8010023167
57 ♦	1	Lip seal, EPDM	9613008706	9613008706	9613008711	9613008711	9613008711
♦	1	Lip seal, NBR	9613008707	9613008707	9613008712	9613008712	9613008712
♦	1	Lip seal, FPM	9613008708	9613008708	9613008713	9613008713	9613008713
♦	1	Lip seal, HNBR	9613008709	9613008709	9613008714	9613008714	9613008714



○ = wear parts

* = with SpiralClean in leakage chamber

Plug setup 18

Pos	Qty	Denomination	1½"	2"	2½"	3"	4"
Lower plug							
38	♦	1 O-ring, EPDM	9611993555	9611993555	9611993572	9611993572	9611993572
		1 O-ring set, (10 pcs.) EPDM .	8010023163	8010023163	8010023164	8010023164	8010023164
74	♦	1 Seal ring, EPDM	9613095206	9613095206	9613095209	9613095209	9613095219
	♦	1 Seal ring, NBR	9613095214	9613095214	9613095215	9613095215	9613095220
	♦	1 Seal ring, FPM - Alfa Laval recommends EPDM	9613095205	9613095205	9613095208	9613095208	9613095218
	♦	1 Seal ring, HNBR	9613095204	9613095204	9613095207	9613095207	9613095217
		1 Seal ring set, (10 pcs.) EPDM	8010023169	8010023169	8010023170	8010023170	8010023171
75		1 Lower plug	9614202966	9614204822	9614201622	9614201634	9614217802
Lower sealing element							
76	♦	1 O-ring, EPDM	9611993628	9611993632	9611993636	9611993636	9611993640
	♦	1 O-ring, NBR	9611993629	9611993633	9611993637	9611993637	9611993641
	♦	1 O-ring, FPM	9611993630	9611993634	9611993638	9611993638	9611993642
	♦	1 O-ring, HNBR	9611993631	9611993635	9611993639	9611993639	9611993643
95	♦	1 Special lip seal, EPDM	9613464259	9613464215	9613464203	9613464203	9613464219
	♦	1 Special lip seal, NBR	9613464260	9613464216	9613464204	9613464204	9613464220
	♦	1 Special lip seal, HNBR	9613464257	9613464213	9613464201	9613464201	9613464217
	♦	1 Special lip seal, FPM	9613464258	9613464214	9613464202	9613464202	9613464218
96		1 Lower sealing element, upper part	9614257701	9613475801	9613465201	9613465201	9613476001
97		1 Lower sealing element, lower part	9614257801	9613475901	9613465301	9613465301	9613476101
98		1 Guide ring, Turcite	9613466111	9613466104	9613466101	9613466101	9613466105
Extra parts if clamped valve body							
52		1 O-ring, EPDM	9611993628	9611993632	9611993636	9611993636	9611993640
		1 O-ring, NBR	9611993629	9611993633	9611993637	9611993637	9611993641
		1 O-ring, FPM	9611993630	9611993634	9611993638	9611993638	9611993642
		1 O-ring, HNBR	9611993631	9611993635	9611993639	9611993639	9611993643

NOTE!

If clamped valve body an extra O-ring (pos. 52) is required.

If SpiralClean in leakage chamber extra O-rings (2x pos. 39 and 1x pos. 40) is required.

Δ Sensor service kit for valves delivered prior to October 2015 - 9611928351

Spare parts for mix size please refer to configurator in Alfa Laval Anytime

NOTE!

All FPM service kits are supplied with EPDM seal ring, pos. 74.

Service kits

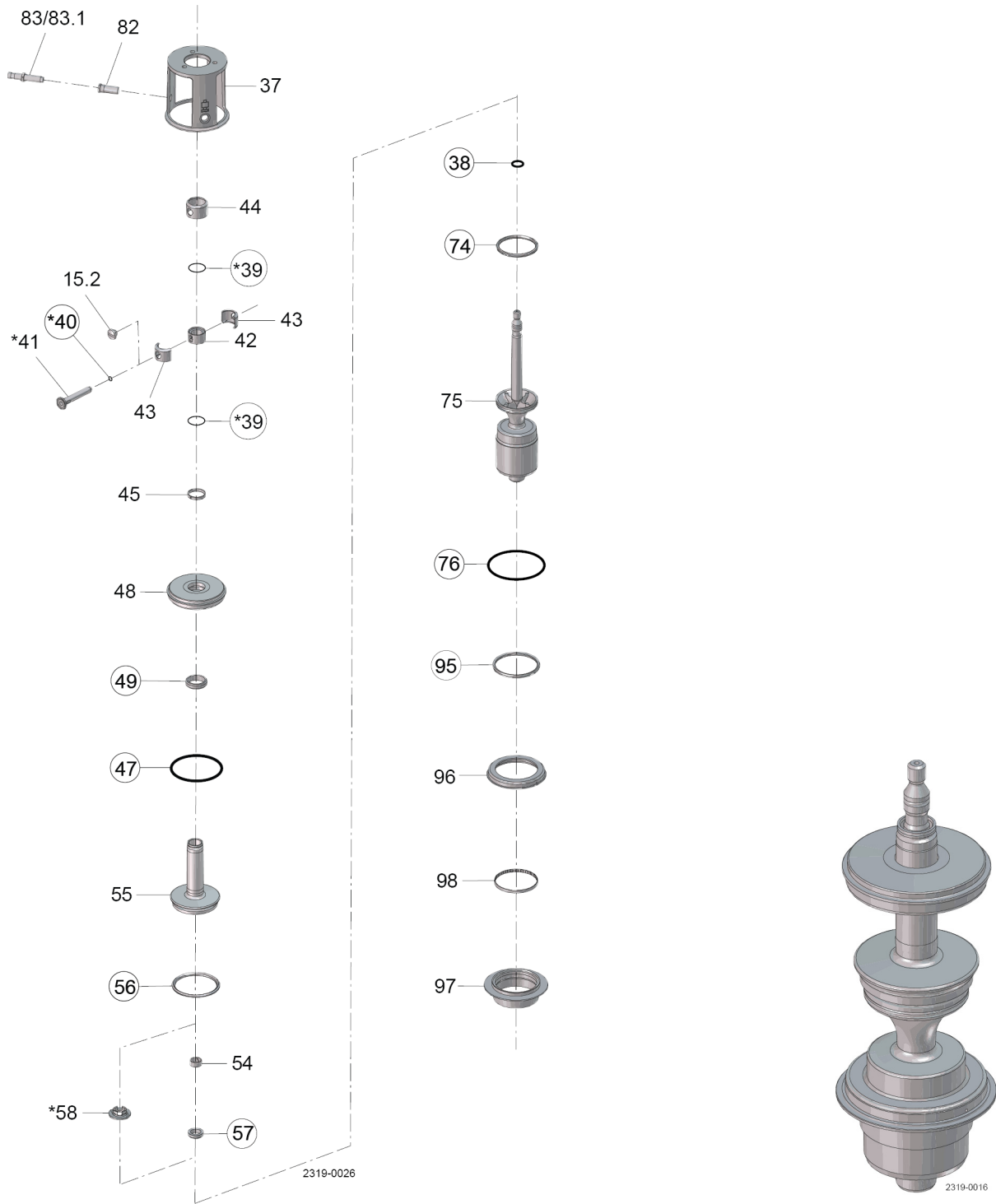
		1½"	2"	2½"	3"	4"
		Seat ø53.3	Seat ø53.3	Seat ø81.3	Seat ø81.3	Seat ø100.3
♦	Service kit, EPDM	9611928237	9611928241	9611928245	9611928245	9611928249
♦	Service kit, NBR	9611928238	9611928242	9611928246	9611928246	9611928250
♦	Service kit, FPM	9611928239	9611928243	9611928247	9611928247	9611928251
♦	Service kit, HNBR	9611928240	9611928244	9611928248	9611928248	9611928252

For mixed size housings, the service kit is determined by the smallest size connection on the valve.

NOTE!

All FPM service kits are supplied with EPDM seal ring, pos. 74.

Plug setup 19 (US - PMO)



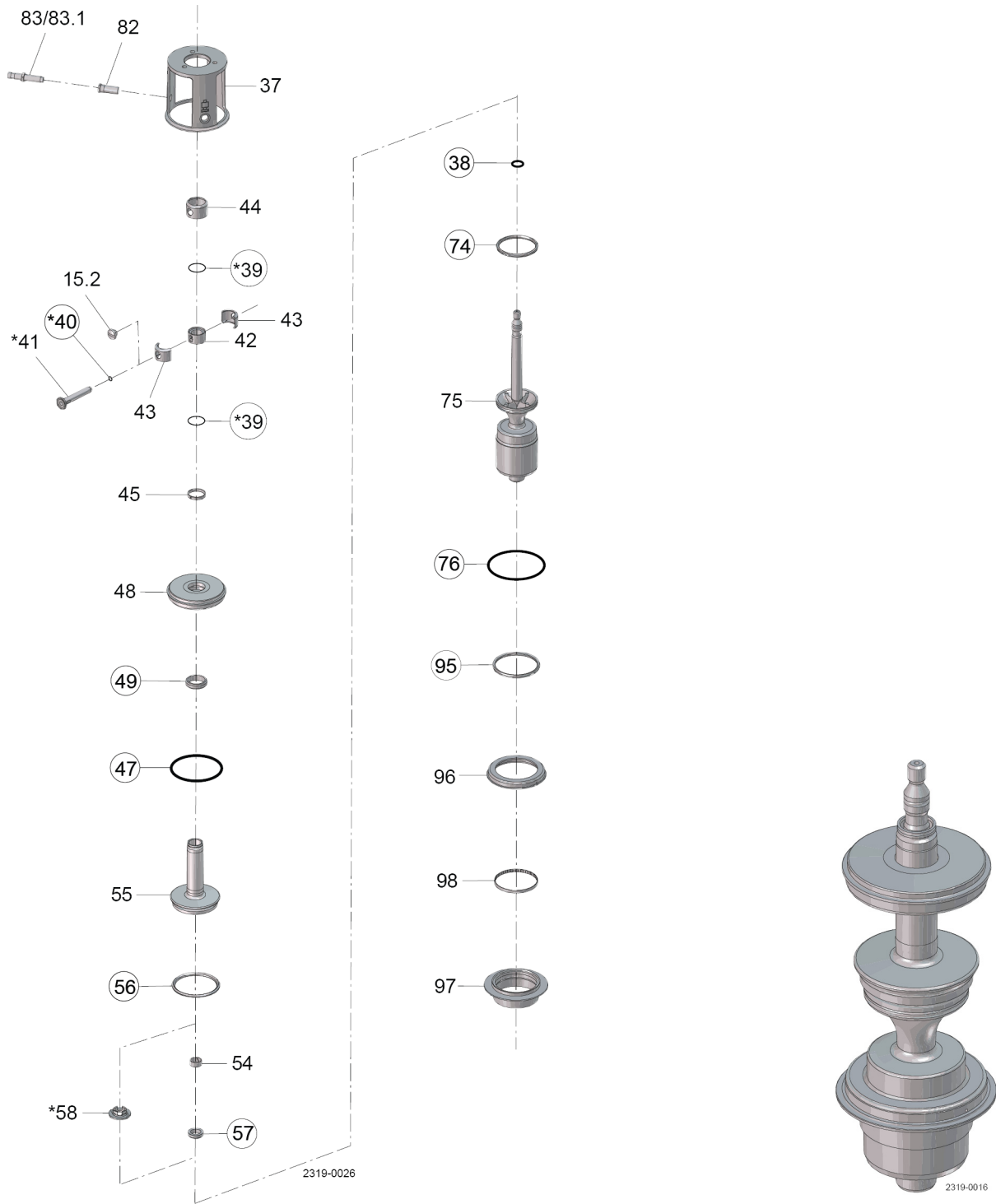
○ = wear parts

* = with SpiralClean in leakage chamber

Plug setup 19 (US - PMO)

Pos	Qty	Denomination	2"	2½"	3"	4"
Intermediate parts						
37	1	Intermediate piece	9614255901	9614256301	9614256303	9614256701
82	1	Bolt for indication	9614257508	9614257508	9614257508	9614257508
83	1	Sensor for indication	9611995199	9611995199	9611995199	9611995199
83.1	1	Cable for sensor for indication	9611994915	9611994915	9611994915	9611994915
Spindle liner						
15.2	1	Plug	9615331901	9615331901	9615331901	9615331901
42	1	Spindle liner	9614221101	9614205301	9614205301	9614205301
43	2	Clamp	9613011801	9613009201	9613009201	9613009201
44	1	Lock	9613011701	9613009101	9613009101	9613009101
Extra parts if SpiralClean in leakage chamber						
39	2	O-ring, EPDM	9611993492	9611993493	9611993493	9611993493
40	1	O-ring, EPDM	9611995521	9611995521	9611995521	9611995521
41	1	Flushing tube	9613205401	9614205402	9614205402	9614205403
58	1	Spray nozzle, PVDF	9613221301	9614221201	9614221201	9614221201
Upper sealing element						
45	1	Guide ring, PTFE	9613008416	9613008417	9613008417	9613008417
47	◆	O-ring, EPDM	9611993632	9611993636	9611993636	9611993640
	◆	O-ring, NBR	9611993633	9611993637	9611993637	9611993641
	◆	O-ring, FPM	9611993634	9611993638	9611993638	9611993642
	◆	O-ring, HNBR	9611993635	9611993639	9611993639	9611993643
48	1	Upper sealing element, (blasted/Ra1.6)	9613014201	9613006401	9613006401	9613018801
	1	Upper sealing element, (polished/Ra0.8)	9613014203	9613006403	9613006403	9613018803
49	◆	Lip seal, EPDM	9613008501	9613008511	9613008511	9613008511
	◆	Lip seal, NBR	9613008502	9613008512	9613008512	9613008512
	◆	Lip seal, FPM	9613008503	9613008513	9613008513	9613008513
	◆	Lip seal, HNBR	9613008504	9613008514	9613008514	9613008514
Upper plug						
54	1	Guide ring, PTFE	9613008401	9613008402	9613008402	9613008402
55	1	Upper plug	9614233101	9614234001	9614234001	9614234501
56	◆	Seal ring, EPDM	9613095106	9613095109	9613095109	9613095119
	◆	Seal ring, NBR	9613095114	9613095115	9613095115	9613095120
	◆	Seal ring, FPM	9613095105	9613095108	9613095108	9613095118
	◆	Seal ring, HNBR	9613095104	9613095107	9613095107	9613095117
	1	Seal ring set, (10 pcs.) EPDM	8010023165	8010023166	8010023166	8010023167
57	◆	Lip seal, EPDM	9613008706	9613008711	9613008711	9613008711
	◆	Lip seal, NBR	9613008707	9613008712	9613008712	9613008712
	◆	Lip seal, FPM	9613008708	9613008713	9613008713	9613008713
	◆	Lip seal, HNBR	9613008709	9613008714	9613008714	9613008714

Plug setup 19 (US - PMO)



○ = wear parts

* = with SpiralClean in leakage chamber

Plug setup 19 (US - PMO)

Pos	Qty	Denomination	2"	2½"	3"	4"
Lower plug						
38	♦	1 O-ring, EPDM	9611993555	9611993572	9611993572	9611993572
		1 O-ring set, (10 pcs.) EPDM	8010023163	8010023164	8010023164	8010023164
74	♦	1 Seal ring, EPDM	9613095206	9613095209	9613095209	9613095219
	♦	1 Seal ring, NBR	9613095214	9613095215	9613095215	9613095220
	♦	1 Seal ring, FPM, Alfa Laval recommends EPDM	9613095205	9613095208	9613095208	9613095218
	♦	1 Seal ring, HNBR	9613095204	9613095207	9613095207	9613095217
		1 Seal ring set, (10 pcs.) EPDM	8010023169	8010023170	8010023170	8010023171
75		1 Lower plug	9614204821	9614201621	9614201633	9614217801
Lower sealing element						
76	♦	1 O-ring, EPDM	9611993632	9611993636	9611993636	9611993640
	♦	1 O-ring, NBR	9611993633	9611993637	9611993637	9611993641
	♦	1 O-ring, FPM	9611993634	9611993638	9611993638	9611993642
	♦	1 O-ring, HNBR	9611993635	9611993639	9611993639	9611993643
95	♦	1 Special lip seal, EPDM	9613464215	9613464203	9613464203	9613464219
	♦	1 Special lip seal, NBR	9613464216	9613464204	9613464204	9613464220
	♦	1 Special lip seal, HNBR	9613464213	9613464201	9613464201	9613464217
	♦	1 Special lip seal, FPM	9613464214	9613464202	9613464202	9613464218
96		1 Lower sealing element, upper part	9613475801	9613465201	9613465201	9613476001
97		1 Lower sealing element, lower part	9613475901	9613465301	9613465301	9613476101
98		1 Guide ring, Turcite	9613466104	9613466101	9613466101	9613466105
Extra parts if clamped valve body						
52		1 O-ring, EPDM	9611993632	9611993636	9611993636	9611993640
		1 O-ring, NBR	9611993633	9611993637	9611993637	9611993641
		1 O-ring, FPM	9611993634	9611993638	9611993638	9611993642
		1 O-ring, HNBR	9611993635	9611993639	9611993639	9611993643

NOTE!

If clamped valve body an extra O-ring (pos. 52) is required.

If SpiralClean in leakage chamber, extra O-rings (2x pos. 39 and 1x pos. 40) is required.

Spare parts for mix size please refer to configurator in Alfa Laval Anytime

NOTE!

All FPM service kits are supplied with EPDM seal ring, pos. 74.

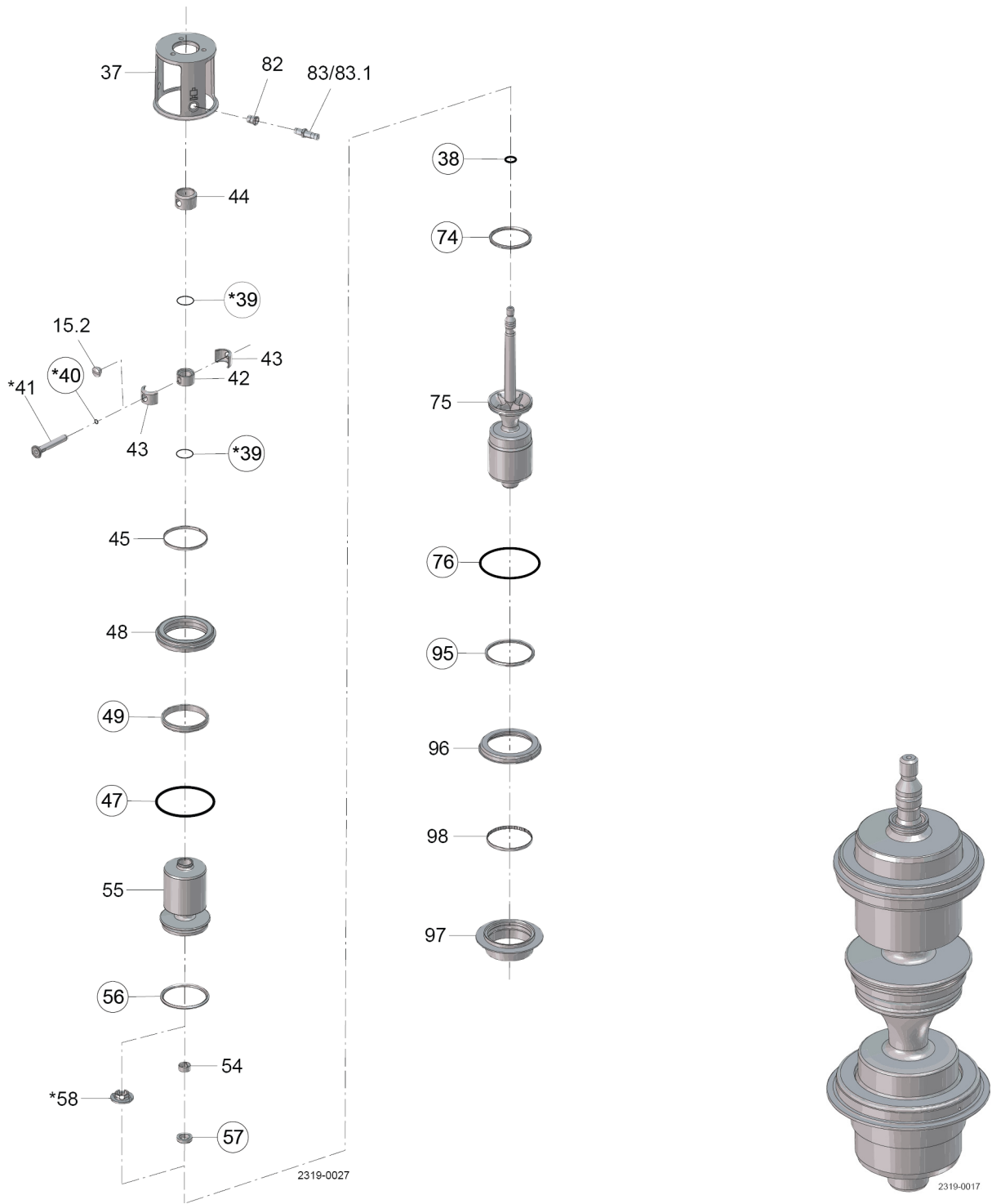
Service kits

		2" Seat ø53.3	2½" Seat ø81.3	3" Seat ø81.3	4" Seat ø100.3
♦	Service kit, EPDM	9611928257	9611928261	9611928261	9611928265
♦	Service kit, NBR	9611928258	9611928262	9611928262	9611928266
♦	Service kit, FPM	9611928259	9611928263	9611928263	9611928267
♦	Service kit, HNBR	9611928260	9611928264	9611928264	9611928268

For mixed size housings, the service kit is determined by the smallest size connection on the valve.

NOTE!

All FPM service kits are supplied with EPDM seal ring, pos. 74.

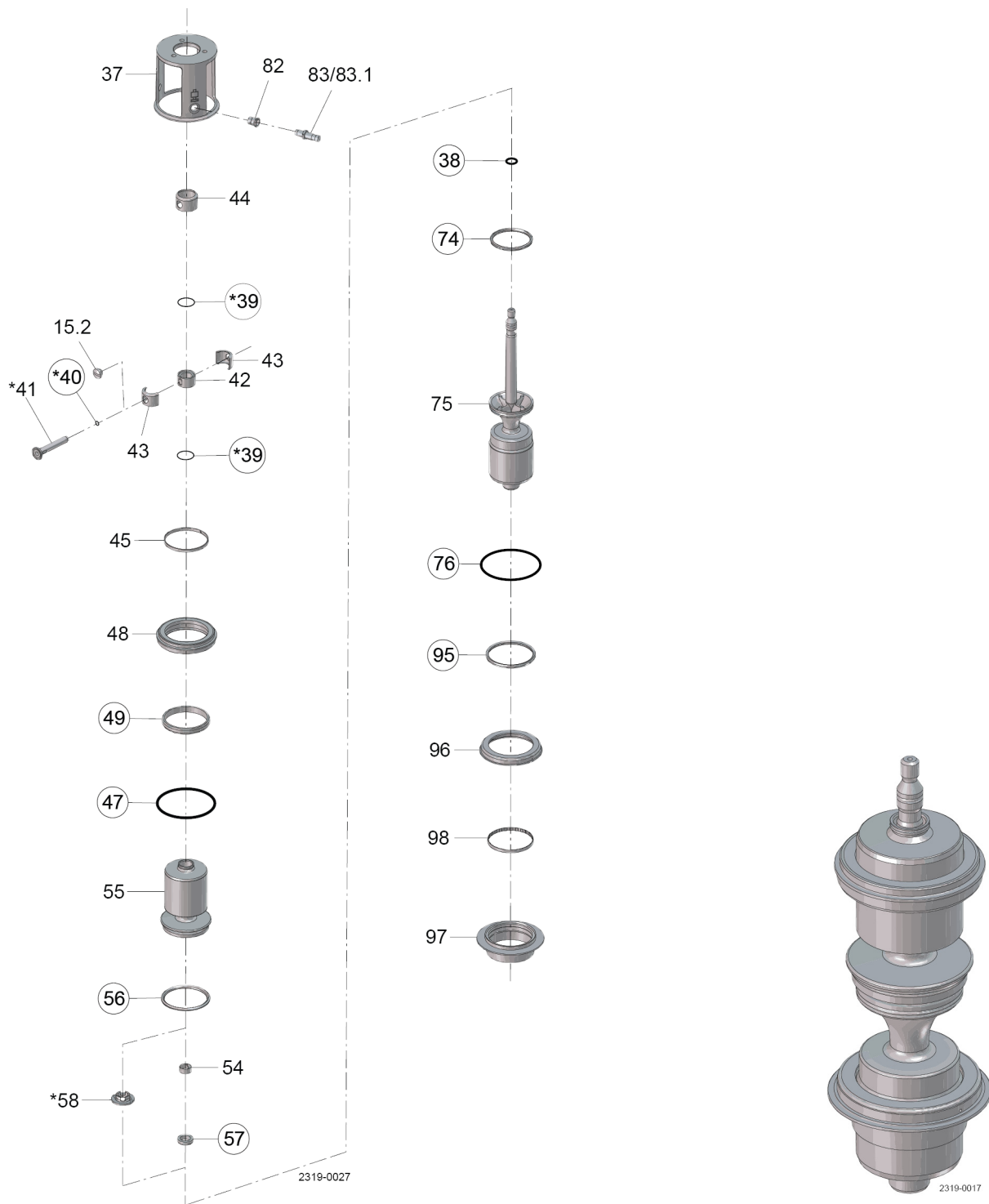


○ = wear parts

* = with SpiralClean in leakage chamber

Plug setup 20 (US - PMO)

Pos	Qty	Denomination	1½"	2"	2½"	3"	4"
Intermediate parts							
37	1	Intermediate piece	9614255501	9614255901	9614256301	9614256303	9614256701
82 Δ	1	Bolt for indication	9614257508	9614257508	9614257508	9614257508	9614257508
83 Δ	1	Sensor for indication	9611995770	9611995770	9611995770	9611995770	9611995770
83.1	1	Cable for sensor for indication	9611994915	9611994915	9611994915	9611994915	9611994915
Spindle liner							
15.2	1	Plug	9615331901	9615331901	9615331901	9615331901	9615331901
42	1	Spindle liner	9614221101	9614221101	9614205301	9614205301	9614205301
43	2	Clamp	9613011801	9613011801	9613009201	9613009201	9613009201
44	1	Lock	9613011701	9613011701	9613009101	9613009101	9613009101
Extra parts if SpiralClean in leakage chamber							
39	2	O-ring, EPDM	9611993492	9611993492	9611993493	9611993493	9611993493
40	1	O-ring, EPDM	9611995521	9611995521	9611995521	9611995521	9611995521
41	1	Flushing tube	9613205401	9613205401	9614205402	9614205402	9614205403
58	1	Spray nozzle, PVDF	9613221301	9613221301	9614221201	9614221201	9614221201
Upper sealing element							
45	1	Guide ring, PTFE	9613008412	9613008413	9613008414	9613008414	9613008420
47 ♦	1	O-ring, EPDM	9611993628	9611993632	9611993636	9611993636	9611993640
♦	1	O-ring, NBR	9611993629	9611993633	9611993637	9611993637	9611993641
♦	1	O-ring, FPM	9611993630	9611993634	9611993638	9611993638	9611993642
♦	1	O-ring, HNBR	9611993631	9611993635	9611993639	9611993639	9611993643
48	1	Upper sealing element, (blasted/Ra1.6)	9613015701	9613014202	9613006402	9613006402	9613066001
	1	Upper sealing element, (polished/Ra0.8)	9613015702	9613014204	9613006404	9613006404	9613066002
49 ♦	1	Lip seal, EPDM	9613008516	9613008521	9613008526	9613008526	9613008548
♦	1	Lip seal, NBR	9613008517	9613008522	9613008527	9613008527	9613008549
♦	1	Lip seal, FPM	9613008518	9613008523	9613008528	9613008528	9613008550
♦	1	Lip seal, HNBR	9613008519	9613008524	9613008529	9613008529	9613008551
Upper plug							
54	1	Guide ring, PTFE	9613008401	9613008401	9613008402	9613008402	9613008402
55	1	Upper plug	9614232501	9614233109	9614234007	9614234007	9614234505
56 ♦	1	Seal ring, EPDM	9613095106	9613095106	9613095109	9613095109	9613095119
♦	1	Seal ring, NBR	9613095114	9613095114	9613095115	9613095115	9613095120
♦	1	Seal ring, FPM	9613095105	9613095105	9613095108	9613095108	9613095118
♦	1	Seal ring, HNBR	9613095104	9613095104	9613095107	9613095107	9613095117
	1	Seal ring set, (10 pcs.) EPDM	8010023165	8010023165	8010023166	8010023166	8010023167
57 ♦	1	Lip seal, EPDM	9613008706	9613008706	9613008711	9613008711	9613008711
♦	1	Lip seal, NBR	9613008707	9613008707	9613008712	9613008712	9613008712
♦	1	Lip seal, FPM	9613008708	9613008708	9613008713	9613008713	9613008713
♦	1	Lip seal, HNBR	9613008709	9613008709	9613008714	9613008714	9613008714



○ = wear parts

* = with SpiralClean in leakage chamber

Plug setup 20 (US - PMO)

Pos	Qty	Denomination	1½"	2"	2½"	3"	4"
Lower plug							
38	♦	1 O-ring, EPDM	9611993555	9611993555	9611993572	9611993572	9611993572
		1 O-ring set, (10 pcs.) EPDM .	8010023163	8010023163	8010023164	8010023164	8010023164
74	♦	1 Seal ring, EPDM	9613095206	9613095206	9613095209	9613095209	9613095219
	♦	1 Seal ring, NBR	9613095214	9613095214	9613095215	9613095215	9613095220
	♦	1 Seal ring, FPM - Alfa Laval recommends EPDM	9613095205	9613095205	9613095208	9613095208	9613095218
	♦	1 Seal ring, HNBR	9613095204	9613095204	9613095207	9613095207	9613095217
		1 Seal ring set, (10 pcs.) EPDM	8010023169	8010023169	8010023170	8010023170	8010023171
75		1 Lower plug	9614202965	9614204821	9614201621	9614201633	9614217801
Lower sealing element							
76	♦	1 O-ring, EPDM	9611993628	9611993632	9611993636	9611993636	9611993640
	♦	1 O-ring, NBR	9611993629	9611993633	9611993637	9611993637	9611993641
	♦	1 O-ring, FPM	9611993630	9611993634	9611993638	9611993638	9611993642
	♦	1 O-ring, HNBR	9611993631	9611993635	9611993639	9611993639	9611993643
95	♦	1 Special lip seal, EPDM	9613464259	9613464215	9613464203	9613464203	9613464219
	♦	1 Special lip seal, NBR	9613464260	9613464216	9613464204	9613464204	9613464220
	♦	1 Special lip seal, HNBR	9613464257	9613464213	9613464201	9613464201	9613464217
	♦	1 Special lip seal, FPM	9613464258	9613464214	9613464202	9613464202	9613464218
96		1 Lower sealing element, upper part	9614257701	9613475801	9613465201	9613465201	9613476001
97		1 Lower sealing element, lower part	9614257801	9613475901	9613465301	9613465301	9613476101
98		1 Guide ring, Turcite	9613466111	9613466104	9613466101	9613466101	9613466105
Extra parts if clamped valve body							
52		1 O-ring, EPDM	9611993628	9611993632	9611993636	9611993636	9611993640
		1 O-ring, NBR	9611993629	9611993633	9611993637	9611993637	9611993641
		1 O-ring, FPM	9611993630	9611993634	9611993638	9611993638	9611993642
		1 O-ring, HNBR	9611993631	9611993635	9611993639	9611993639	9611993643

NOTE!

If clamped valve body an extra O-ring (pos. 52) is required.

If SpiralClean in leakage chamber, extra O-rings (2x pos. 39 and 1x pos. 40) is required.

Δ Sensor service kit for valves delivered prior to October 2015 - 9611928351

Spare parts for mix size please refer to configurator in Alfa Laval Anytime

NOTE!

All FPM service kits are supplied with EPDM seal ring, pos. 74.

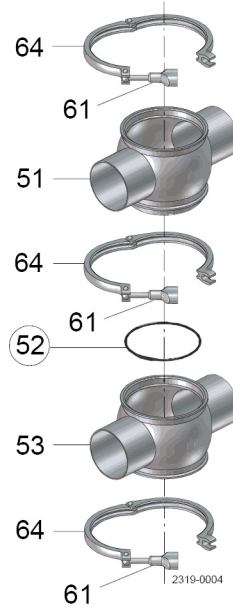
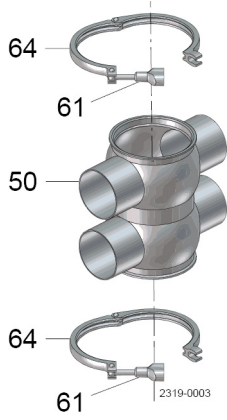
Service kits

		1½"	2"	2½"	3"	4"
		Seat ø53.3	Seat ø53.3	Seat ø81.3	Seat ø81.3	Seat ø100.3
♦	Service kit, EPDM	9611928273	9611928277	9611928281	9611928281	9611928285
♦	Service kit, NBR	9611928274	9611928278	9611928282	9611928282	9611928286
♦	Service kit, FPM	9611928275	9611928279	9611928283	9611928283	9611928287
♦	Service kit, HNBR	9611928276	9611928280	9611928284	9611928284	9611928288

For mixed size housings, the service kit is determined by the smallest size connection on the valve.

NOTE!

All FPM service kits are supplied with EPDM seal ring, pos. 74.



Body combination - welded bodies

11-00



11-90



11-180



11-270



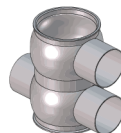
12-00



12-90



21-00



21-90



22-00



22-90



2319-0103

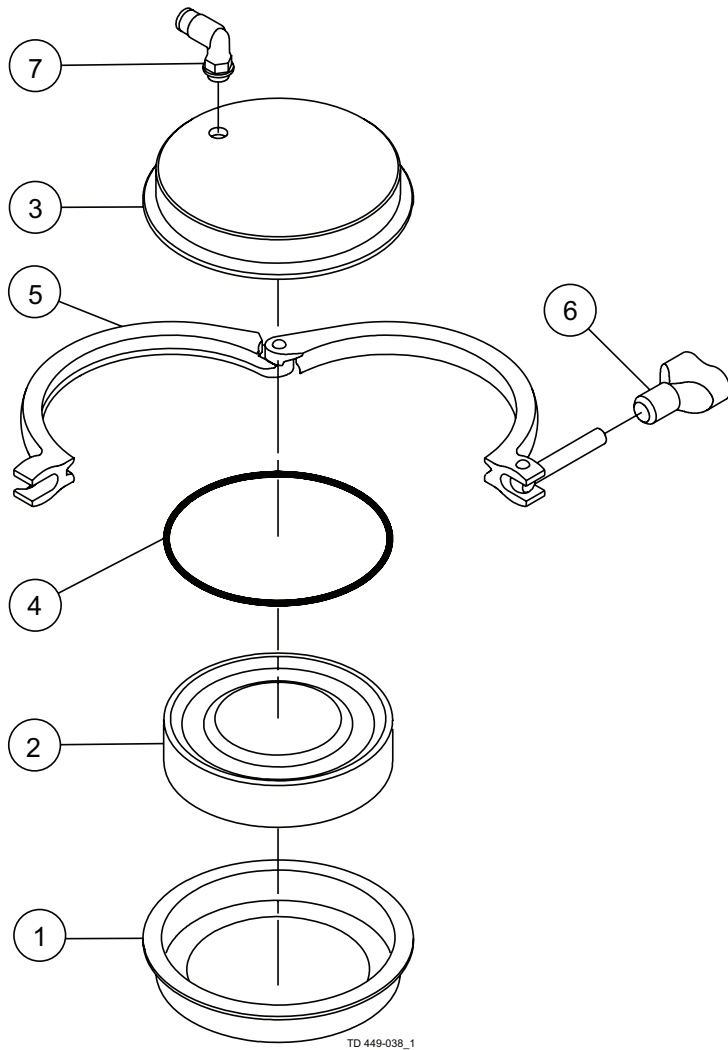
Valve body and clamps

Pos	Qty	Denomination	1½"	2"	2½"	3"	4"
61	2	Wingnut	9612558001	9612558001	9612558001	9612558001	9612558001
64	2	Clamp without nut	9613021401	9613021501	9613021601	9613021601	9613021701
External blasted / internal polished							
50	1	Valve body, 11-00	9615423401	9615423501	9615423601	9615423701	9615423801
	1	Valve body, 12-00	9615423405	9615423505	9615423605	9615423705	9615423805
	1	Valve body, 21-00	9615423407	9615423507	9615423607	9615423707	9615423807
	1	Valve body, 22-00	9615423409	9615423509	9615423609	9615423709	9615423809
	1	Valve body, 11-90	9615423402	9615423502	9615423602	9615423702	9615423802
	1	Valve body, 12-90	9615423406	9615423506	9615423606	9615423706	9615423806
	1	Valve body, 21-90	9615423408	9615423508	9615423608	9615423708	9615423808
	1	Valve body, 22-90	9615423410	9615423510	9615423610	9615423710	9615423810
	1	Valve body, 11-180	9615423403	9615423503	9615423603	9615423703	9615423803
	1	Valve body, 11-270	9615423404	9615423504	9615423604	9615423704	9615423804
External and internal polished							
	1	Valve body, 11-00	9615423421	9615423521	9615423621	9615423721	9615423821
	1	Valve body, 12-00	9615423425	9615423525	9615423625	9615423725	9615423825
	1	Valve body, 21-00	9615423427	9615423527	9615423627	9615423727	9615423827
	1	Valve body, 22-00	9615423429	9615423529	9615423629	9615423729	9615423829
	1	Valve body, 11-90	9615423422	9615423522	9615423622	9615423722	9615423822
	1	Valve body, 12-90	9615423426	9615423526	9615423626	9615423726	9615423826
	1	Valve body, 21-90	9615423428	9615423528	9615423628	9615423728	9615423828
	1	Valve body, 22-90	9615423430	9615423530	9615423630	9615423730	9615423830
	1	Valve body, 11-180	9615423423	9615423523	9615423623	9615423723	9615423823
	1	Valve body, 11-270	9615423424	9615423524	9615423624	9615423724	9615423824
Clamped valve body							
Pos	Qty	Denomination	1½"	2"	2½"	3"	4"
External blasted / internal polished							
51	1	Valve body, upper, 1 port ...	9613058015	9613058017	9613058019	9613058021	9613058039
	1	Valve body, upper, 2 ports ..	9613058016	9613058018	9613058020	9613058022	9613058040
53	1	Valve body, lower, 1 port	9613058315	9613058317	9613058319	9613058321	9613058323
	1	Valve body, lower, 2 ports ..	9613058316	9613058318	9613058320	9613058322	9613058324
External and internal polished							
51	1	Valve body, upper, 1 port ...	9613058027	9613058029	9613058031	9613058033	9613058041
	1	Valve body, upper, 2 ports ..	9613058028	9613058030	9613058032	9613058034	9613058042
53	1	Valve body, lower, 1 port	9613058327	9613058329	9613058331	9613058333	9613058335
	1	Valve body, lower, 2 ports ..	9613058328	9613058330	9613058332	9613058334	9613058336
Extra parts if clamped valve body							
52	1	O-ring, EPDM	9611993628	9611993632	9611993636	9611993636	9611993640
	1	O-ring, NBR	9611993629	9611993633	9611993637	9611993637	9611993641
	1	O-ring, FPM	9611993630	9611993634	9611993638	9611993638	9611993642
	1	O-ring, HNBR	9611993631	9611993635	9611993639	9611993639	9611993643

NOTE!

If different connection size on upper and lower body, except for size 6", it is always the smallest body that determines the service kit.

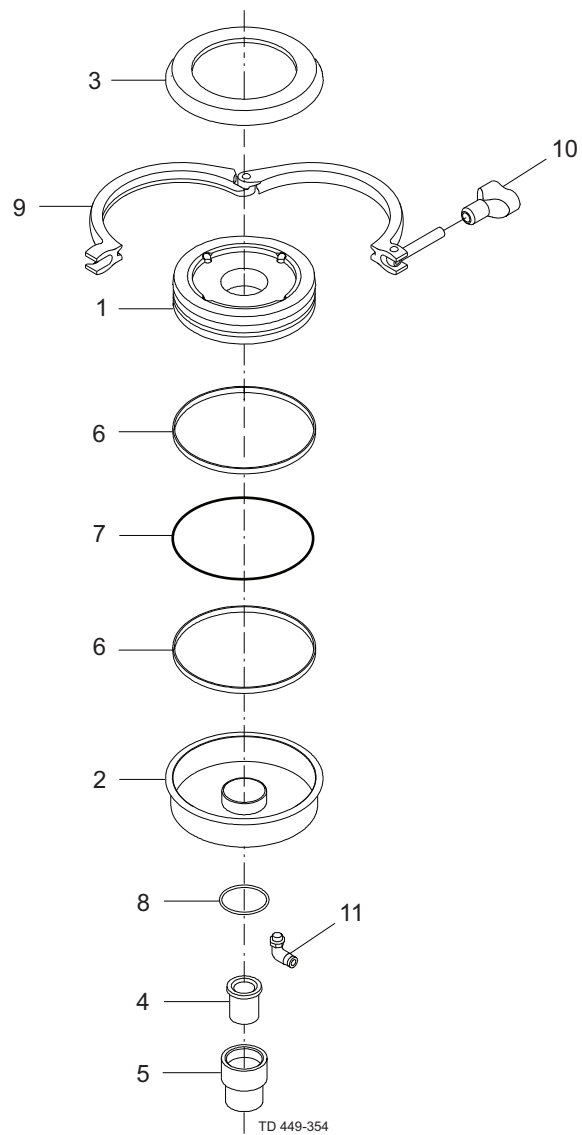
If clamped valve body an extra O-ring (pos. 52) is required.



Axial installation tool

Pos	Qty	Denomination	1½" + 2" Seat ø53.3	2½ + 3" Seat ø81.3	4" Seat ø100.3	6" Seat ø115.3
		Complete tool	9613050501	9613050502	9613050508	9613050503
1	1	Lower part				
2	1	Piston				
3	1	Upper part				
4	1	O-ring, NBR	9611993703	9611993703	9611993349	9611993349
5	1	Clamp				
6	1	Wingnut				
7	1	Air fitting				

TD900-677/1



Radial installation tool

Pos	Qty	Denomination	1½" + 2"	2½" + 3"	4"	6"
			Seat ø53.3	Seat ø81.3	Seat ø100.3	Seat ø115.3
		Complete tool	9613426001	9613426002	9613426003	9613426004
1	1	Piston				
2	1	Lower part				
3	1	Upper part				
4	1	Bushing				
5	1	Guide				
6	2	Guide ring	9613008422	9613008422	9613008422	9613008422
7	1	O-ring, NBR	9611993349	9611993349	9611993349	9611993349
8	1	O-ring, NBR	9611993705	9611993705	9611993705	9611993705
9	1	Clamp				
10	1	Wingnut				
11	1	Air fitting				

TD900-678/1

How to contact Alfa Laval

Contact details for all countries are continually updated on our website.

Please visit www.alfalaval.com to access the information directly.

© Alfa Laval Corporate AB

This document and its contents is owned by Alfa Laval Corporate AB and protected by laws governing intellectual property and thereto related rights. It is the responsibility of the user of this document to comply with all applicable intellectual property laws. Without limiting any rights related to this document, no part of this document may be copied, reproduced or transmitted in any form or by any means (electronic, mechanical, photocopying, recording, or otherwise), or for any purpose, without the expressed permission of Alfa Laval Corporate AB. Alfa Laval Corporate AB will enforce its rights related to this document to the fullest extent of the law, including the seeking of criminal prosecution.