



ALFA LAVAL LTD

**SRU RANGE
ROTARY LOBE PUMPS**

SPARE PARTS LIST

July-08 (Issue 4.09)

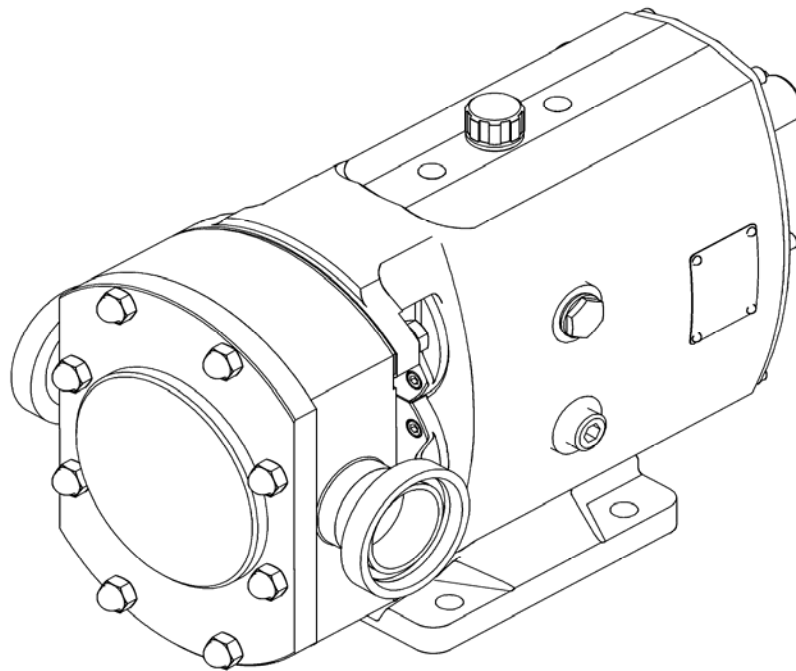


Table of contents

| Page No. | Contents | Page No. | Contents |
|----------|--|----------|---|
| 3 | SRU1 Pump | 43 | R90 Single Mech Seal Exploded View |
| 4 | SRU1 Pump (continued) | 44 | R90 Single Flush Mech Seal Exploded View |
| 5 | SRU2 Pump | 45 | R90 Double Mech Seals (complete) - SRU1 |
| 6 | SRU2 Pump (continued) | 46 | R90 Double Mech Seals (complete) - SRU2 |
| 7 | SRU3 Pump | 47 | R90 Double Mech Seals (complete) - SRU3 |
| 8 | SRU3 Pump (continued) | 48 | R90 Double Mech Seals (complete) - SRU4 |
| 9 | SRU3 Pump (continued) | 49 | R90 Double Mech Seals (complete) - SRU5 |
| 10 | SRU1-3 Pump Exploded View Drawing | 50 | R90 Double Mech Seals (complete) - SRU6 |
| 11 | SRU4 Pump | 51 | R90 Double Mech Seals (part numbering) |
| 12 | SRU4 Pump (continued) | 52 | R90 Double Mech Seals (parts) - SRU1-2 |
| 13 | SRU4 Pump Exploded View Drawing | 53 | R90 Double Mech Seals (parts) - SRU3-4 |
| 14 | SRU5 Horizontally Ported Pump | 54 | R90 Double Mech Seals (parts) - SRU5-6 |
| 15 | SRU5 Horizontally Ported Pump (continued) | 55 | R90 Double Mech Seal Exploded View |
| 16 | SRU5 Horiz Ported Pump Exploded View | 56 | Hyclean Mech Seals (complete) - SRU1-2 |
| 17 | SRU5 Vertically Ported Pump | 57 | Hyclean Mech Seals (complete) - SRU3-4 |
| 18 | SRU5 Vertically Ported Pump (continued) | 58 | Hyclean Mech Seals (complete) - SRU5-6 |
| 19 | SRU5 Vert Ported Pump Exploded View | 59 | Hyclean Mech Seals (parts) |
| 20 | SRU6 Horizontally Ported Pump | 60 | Hyclean Mech Seal Exploded View |
| 21 | SRU6 Horizontally Ported Pump (continued) | 61 | Hyclean Flush Mech Seal Exploded View |
| 22 | SRU6 Horiz Ported Pump Exploded View | 62 | Packed Gland Seals - SRU1-4 |
| 23 | SRU6 Vertically Ported Pump | 63 | Packed Gland Seals - SRU5-6 |
| 24 | SRU6 Vertically Ported Pump (continued) | 64 | Packed Gland Exploded View |
| 25 | SRU6 Vert Ported Pump Exploded View | 65 | Pressure Relief Valve (complete) |
| 26 | Rotorcases - R90 and Packed Gland (SRU1-2) | 66 | Pressure Relief Valve (parts) - SRU1-5 |
| 27 | Rotorcases - R90 and Packed Gland (SRU3-4) | 67 | Pressure Relief Valve (parts) - SRU6 |
| 28 | Rotorcases - R90 and Packed Gland (SRU5-6) | 68 | Pressure Relief Valve Exploded View |
| 29 | Rotorcases - Hyclean (SRU1-4) | 69 | Jackets and Saddles |
| 30 | Rotorcases - Hyclean (SRU5-6) | 70 | Jackets and Saddles Exploded Views |
| 31 | Rotorcases - Body Part Numbers | 71 | EPDM USP Class VI 'O' Rings & Seals |
| 32 | Rotorcases - Port Part Numbers | 72 | Electropolishing (Rotorcase Covers & Rotors) |
| 33 | Rotorcases - Port Part Numbers (continued) | 73 | Electropolishing (Rotors cont'd & Rotor Nuts) |
| 34 | Rectangular to Round Adaptors | 74 | Electropolishing (Rotorcases) |
| 35 | Cover/Spline Sealing Kits | 75 | ATEX Parts |
| 36 | Service Kits (R90 Single Mechanical Seals) | 76 | Misc |
| 37 | Service Kits (Hyclean Single Mechanical Seals) | 77 | Revision History |
| 38 | R90 Single Mech Seals (complete) - SRU1-2 | 78 | Revision History (continued) |
| 39 | R90 Single Mech Seals (complete) - SRU3-4 | | |
| 40 | R90 Single Mech Seals (complete) - SRU5-6 | | |
| 41 | R90 Single Mech Seals (parts) - SRU1-4 | | |
| 42 | R90 Single Mech Seals (parts) - SRU5-6 | | |

Notes

This publication is strictly confidential and remains the property of Alfa Laval Ltd. without whose written permission it must not be copied, reproduced or shown to third parties, and maybe subject to change without prior notice.

When identifying the spare parts required it is important to check the pump specification by referring to the pump serial number.



| SRU1 Pump | | | | | |
|--------------------------------|---------------------------------|----------------------------------|------------|----------------------|--------------------------|
| Drq No. | Description | | Qty | Part No. | Item No. |
| 1 | Gearcase - universal mounting | AL Blue | 1 | 5220.351.00 | 9630094193 |
| 2 | Dowel | | 2 | 5170.025 | 9630030093 |
| 3 | Stud, rotorcase retention | | 4 | 6350.135 | 9630052259 |
| 4 | Nut, rotorcase retention | | 4 | 5330.003 | 9630024057 |
| 4A | Washer, rotorcase retention | | 4 | 6400.036 | 9630024231 |
| 5 | Cover, gearcase | | 1 | 5120.181 | 9630087581 |
| 6 | Screw, gearcase cover | | 6 | 5990.044 | 9630030096 |
| 7 | Lip seal, drive end | (not for ATEX) NBR FPM | 1 | 5310.047 5310.078 | 9630030621 9630032806 |
| 8 | Shim | (not for ATEX) Polymex St.Stl | 1 set | 6150.150 6150.151 | 9630034305 9630034304 |
| 8A | Shim retainer | | 2 | 6150.261 | 9630050684 |
| 8B | Screw, shim retainer | | 4 | 6000.010 | 9630050533 |
| 9 | Rotorcase | | 1 | see page 26-33 | see page 26-33 |
| 10 | Stud, rotorcase/cover retention | | 4 | 6350.093 | 9630031415 |
| 11 | 'O' Ring, cover - plain | NBR | 1 | 1550.239 | 9630023375 |
| | | FPM | | 1551.239 | 9630023456 |
| | | EPDM | | 1555.239 | 9630023539 |
| | | PTFE | | 1552.239 | 9630028747 |
| | | NBR | | 5380.087 | 9630024201 |
| 'O' Ring, cover - relief valve | FPM | 5380.163 | 9630024335 | | |
| | EPDM | 5380.277 | 9630019858 | | |
| | PTFE | 5380.164 | 9630024336 | | |
| | | 5130.311 | 9630046119 | | |
| 12 | Cover, rotorcase | Plain | 1 | 5130.331 | 9630027764 |
| | | Drilled for jacket | | see page 63 | see page 63 |
| | | Relief valve | | | |
| 13 | Dome nut, rotorcase cover | | 4 | 5340.029 | 9630024095 |
| 14 | Retainer, seal | | 2 | 5560.030 | 9630031375 |
| 15 | Screw, seal retainer | | 6 | 5990.044 | 9630030096 |
| 16 | Lip seal, gland end | (not for ATEX) NBR | 2 | 5310.037 | 9630030622 |
| | | FPM | | 5310.070 | 9630032796 |
| 17 | Rotor, Trilobe Stainless Steel | 8 bar 70°C | 2 | 5712.005G | 9630031989 |
| | | 8 bar 130°C | | 5712.005H | 9630031990 |
| | | 8 bar 200°C | | 5712.005J | 9630031991 |
| | Rotor, Bilobe Stainless Steel | 8 bar 70°C | 2 | 5730.005G | 9630090563 |
| | | 8 bar 130°C | | 5730.005H | 9630090564 |
| | | 8 bar 200°C | | 5730.005J | 9630090589 |
| | Rotor, Bilobe non-galling | 8 bar 70°C | 2 | 5761.005G | 9630090474 |
| | | 8 bar 130°C | | 5761.005H | 9630090475 |
| | | 8 bar 200°C | | 5761.005J | 9630090476 |
| | Rotor, Trilobe, NBR covered | | 2 | 5722.005 | 9630031495 |
| | Rotor, Trilobe Stainless Steel | 5 bar 70°C | 2 | 5712.008D | 9630031995 |
| | | 5 bar 130°C | | 5712.008E | 9630031996 |
| | | 5 bar 200°C | | 5712.008F | 9630031997 |
| | Rotor, Bilobe Stainless Steel | 5 bar 70°C | 2 | 5730.008D | 9630090565 |
| | | 5 bar 130°C | | 5730.008E | 9630090566 |
| 5 bar 200°C | | 5730.008F | | 9630090567 | |
| Rotor, Bilobe non-galling | 5 bar 70°C | 2 | 5761.008D | 9630090478 | |
| | 5 bar 130°C | | 5761.008E | 9630090479 | |
| | 5 bar 200°C | | 5761.008F | 9630090481 | |
| Rotor, Trilobe, NBR covered | | 2 | 5722.008 | 9630031497 | |



| SRU1 Pump (continued) | | | | | |
|-----------------------|---|----------|-----|--------------|------------|
| Drg No. | Description | | Qty | Part No. | Item No. |
| 18 | 'O' Ring, rotor sealing shaft end (St.Stl rotor) | NBR | 2 | 5380.421 | 9630044558 |
| | | FPM | | 5380.420 | 9630044557 |
| | | EPDM | | 5380.446 | 9630046208 |
| | | PTFE | | 5380.447 | 9630046212 |
| | 'O' Ring, rotor sealing shaft end (NBR covered rotor) | NBR | | 5380.421 | 9630044558 |
| | | FPM | | 5380.420 | 9630044557 |
| | | EPDM | | 5380.446 | 9630046208 |
| | | | | | |
| 20 | 'O' Ring, rotor sealing nut end | NBR | 2 | 5380.442 | 9630046204 |
| | | FPM | | 5380.443 | 9630046205 |
| | | EPDM | | 5380.444 | 9630046206 |
| | | PTFE | | 5380.445 | 9630046207 |
| 22 | Nut, rotor retention | SRU1/005 | 2 | 5900.161 | 9630045826 |
| | | SRU1/008 | | 5900.162 | 9630045828 |
| 23 | Key | | 1 | 5270.030 | 9630031498 |
| 24 | Shaft, drive (Duplex) | R90 | 1 | 6110.592 | 9630033399 |
| | | Hyclean | | 6110.717 | 9630052964 |
| 25 | Shaft, auxiliary (Duplex) | R90 | 1 | 6100.592 | 9630033401 |
| | | Hyclean | | 6100.717 | 9630052961 |
| 26 | Bearing, rear | | 2 | 5080.011 | 9630029026 |
| 27 | Spacer, shaft abutment | | 1 | 5670.061.01 | 9630032664 |
| 30 | Nut, bearing | | 2 | 5340.040 | 9630029135 |
| 31 | Bearing, front | | 2 | 5080.011 | 9630029026 |
| 32 | Spacer, bearing | | 2 | 5670.100 | 9630033403 |
| 36 | Timing gear | | 2 | 5210.036 | 9630031258 |
| 38 | Torque locking element | | 2 | 5615.013 | 9630025151 |
| 39 | Clamp plate | | 2 | 5110.039 | 9630031371 |
| 40 | Screw, clamp plate | | 6 | 5990.044 | 9630030096 |
| 45 | Drain plug | | 2 | 1660.004 | 9630023546 |
| 46 | Sight glass - standard (for ATEX pump see 'ATEX Parts') | | 1 | 5480.001 | 9630032778 |
| 47 | Filler plug - standard (for ATEX pump see 'ATEX Parts') | | 1 | 31491.0052.1 | 9630018599 |
| 48 | Plug | | 2 | 1660.008 | 9630023548 |
| 49 | Blanking plug | | 4 | 5470.022 | 9630089950 |
| 50 | Gland guard - standard (for ATEX pump see 'ATEX Parts') | | 2 | 5243.111 | 9630089811 |
| 51 | Screw, gland guard | | 4 | 6000.010 | 9630050533 |
| 53 | Washer, gland guard | | 4 | 31499.5903.3 | 9630039001 |
| 54 | Foot, vertical port | AL Blue | 1 | 5225.401.00 | 9630089804 |
| 56 | Foot, horizontal port | AL Blue | 1 | 5225.301.00 | 9630089805 |
| 58 | Bolt, Foot | | 2 | 6000.016 | 9630074795 |



| SRU2 Pump | | | | | |
|--------------------------------|---------------------------------|----------------------------------|-----------|----------------------|--------------------------|
| Drg No. | Description | | Qty | Part No. | Item No. |
| 1 | Gearcase - universal mounting | AL Blue | 1 | 5220.352.00 | 9630094199 |
| 2 | Dowel | | 2 | 5170.025 | 9630030093 |
| 3 | Stud, rotorcase retention | | 4 | 6350.136 | 9630052261 |
| 4 | Nut, rotorcase retention | | 4 | 5330.000 | 9630024051 |
| 4A | Washer, rotorcase retention | | 4 | 6400.037 | 9630024233 |
| 5 | Cover, gearcase | | 1 | 5120.182 | 9630087567 |
| 6 | Screw, gearcase cover | | 6 | 5990.044 | 9630030096 |
| 7 | Lip seal, drive end | (not for ATEX) NBR FPM | 1 | 5310.101 5310.079 | 9630040403 9630032807 |
| 8 | Shim | (not for ATEX) Polymex St.Stl | 1 set | 6150.152 6150.153 | 9630034199 9630034201 |
| 8A | Shim retainer | | 2 | 6150.312 | 9630089541 |
| 8B | Screw, shim retainer | | 4 | 6000.010 | 9630050533 |
| 9 | Rotorcase | | 1 | see page 26-33 | see page 26-33 |
| 10 | Stud, rotorcase/cover retention | | 4 | 6350.094 | 9630024086 |
| 11 | 'O' Ring, cover - plain | NBR | 1 | 1550.249 | 9630023379 |
| | | FPM | | 1551.249 | 9630023462 |
| | | EPDM | | 1555.249 | 9630023540 |
| | | PTFE | | 1552.249 | 9630040636 |
| 11 | 'O' Ring, cover - relief valve | NBR | 1 | 1550.251 | 9630030114 |
| | | FPM | | 1551.251 | 9630026029 |
| | | EPDM | | 1555.251 | 9630027285 |
| | | PTFE | | 1552.251 | 9630024882 |
| 12 | Cover, rotorcase | Plain | 1 | 5130.312 | 9630046120 |
| | | Drilled for jacket | | 5130.332 | 9630027767 |
| | | Relief valve | | see page 63 | see page 63 |
| 13 | Dome nut, rotorcase cover | | 4 | 5340.047 | 9630029651 |
| 14 | Retainer, seal | | 2 | 5560.031 | 9630031405 |
| 15 | Screw, seal retainer | | 6 | 5990.007 | 9630024595 |
| 16 | Lip seal, gland end | (not for ATEX) NBR | 2 | 5310.038 | 9630030623 |
| | | FPM | | 5310.071 | 9630032797 |
| 17 | Rotor, Trilobe Stainless Steel | 10 bar 70°C | 2 | 5740.013M | 9630046723 |
| | | 10 bar 130°C | | 5740.013N | 9630040081 |
| | | 10 bar 200°C | | 5740.013P | 9630047747 |
| | | 15 bar 70°C | | 5740.013T | 9630046603 |
| | | 15 bar 130°C | | 5740.013V | 9630047748 |
| | | 15 bar 200°C | | 5740.013W | 9630047749 |
| | Rotor, Bilobe Stainless Steel | 10 bar 70°C | 2 | 5741.013M | 9630090571 |
| | | 10 bar 130°C | | 5741.013N | 9630090572 |
| | | 10 bar 200°C | | 5741.013P | 9630090573 |
| | Rotor, Bilobe non-galling | 15 bar 70°C | 2 | 5741.013T | 9630090574 |
| | | 15 bar 130°C | | 5741.013V | 9630090575 |
| | | 15 bar 200°C | | 5741.013W | 9630090576 |
| Rotor, Bilobe non-galling | 10 bar 70°C | 2 | 5761.013M | 9630090482 | |
| | 10 bar 130°C | | 5761.013N | 9630090483 | |
| | 10 bar 200°C | | 5761.013P | 9630090484 | |
| Rotor, Bilobe non-galling | 15 bar 70°C | 2 | 5761.013T | 9630090485 | |
| | 15 bar 130°C | | 5761.013V | 9630090486 | |
| | 15 bar 200°C | | 5761.013W | 9630090487 | |
| Rotor, Trilobe, NBR covered | | SRU2/013 | 2 | 5722.013 | 9630031481 |
| Rotor, Trilobe Stainless Steel | 7 bar 70°C | 2 | 5740.018M | 9630047243 | |
| | 7 bar 130°C | | 5740.018N | 9630043480 | |
| | 7 bar 200°C | | 5740.018P | 9630047751 | |
| | 10 bar 70°C | | 5740.018T | 9630048049 | |
| | 10 bar 130°C | | 5740.018V | 9630048050 | |
| Rotor, Trilobe Stainless Steel | | SRU2/018/ LD and HD | 2 | 5740.018W | 9630048051 |



| SRU2 Pump (continued) | | | | | |
|-----------------------------|---|--------------|-----------|--------------|------------|
| Drq No. | Description | | Qty | Part No. | Item No. |
| 17 | Rotor, Bilobe Stainless Steel | 7 bar 70°C | 2 | 5741.018M | 9630090577 |
| | | 7 bar 130°C | | 5741.018N | 9630090578 |
| | | 7 bar 200°C | | 5741.018P | 9630090579 |
| | | 10 bar 70°C | | 5741.018T | 9630090599 |
| | | 10 bar 130°C | | 5741.018V | 9630090580 |
| | | 10 bar 200°C | | 5741.018W | 9630099560 |
| | Rotor, Bilobe non-galling | 7 bar 70°C | 2 | 5761.018M | 9630090488 |
| | | 7 bar 130°C | | 5761.018N | 9630090489 |
| | | 7 bar 200°C | | 5761.018P | 9630090490 |
| | | 10 bar 70°C | | 5761.018T | 9630090491 |
| Rotor, Trilobe, NBR covered | 10 bar 130°C | 2 | 5761.018V | 9630090492 | |
| | 10 bar 200°C | | 5761.018W | 9630090493 | |
| 18 | 'O' Ring, rotor sealing shaft end (St.Stl rotor) | SRU2/018 | 2 | 5722.018 | 9630031483 |
| | | NBR | | 1550.022 | 9630046452 |
| | | FPM | | 1551.022 | 9630046453 |
| | | EPDM | | 1555.022 | 9630046455 |
| | | PTFE | | 1558.022 | 9630046454 |
| 20 | 'O' Ring, rotor sealing nut end | NBR | 2 | 1550.020 | 9630031506 |
| | | FPM | | 1551.020 | 9630046186 |
| | | EPDM | | 1555.020 | 9630046187 |
| | | PTFE | | 1558.020 | 9630046188 |
| 22 | Nut, rotor retention | SRU2/013 | 2 | 5900.163 | 9630045830 |
| | | SRU2/018 | | 5900.164 | 9630045832 |
| 23 | Key | | 1 | 5270.007 | 9630023916 |
| 24 | Shaft, drive (St.Stl) | R90 | 1 | 6110.545 | 9630031389 |
| | | Hyclean | | 6110.656 | 9630046281 |
| | Shaft, drive (Duplex) | R90 | | 6110.675 | 9630030029 |
| | | Hyclean | | 6110.660 | 9630022632 |
| 25 | Shaft, auxiliary (St.Stl) | R90 | 1 | 6100.545 | 9630031391 |
| | | Hyclean | | 6100.656 | 9630046255 |
| 26 | Shaft, auxiliary (Duplex) | R90 | 1 | 6100.675 | 9630032000 |
| | | Hyclean | | 6100.660 | 9630046257 |
| 26 | Bearing, rear | | 2 | 5080.012 | 9630029028 |
| 27 | Spacer, shaft abutment | | 1 | 5670.062.01 | 9630032678 |
| 30 | Nut, bearing | | 2 | 5340.041 | 9630029136 |
| 31 | Bearing, front | | 2 | 5080.012 | 9630029028 |
| 32 | Spacer, bearing | | 2 | 5670.056 | 9630031409 |
| 36 | Timing gear | | 2 | 5210.037 | 9630031260 |
| 38 | Torque locking element | | 2 | 5615.015 | 9630030115 |
| 39 | Clamp plate | | 2 | 5110.040 | 9630031407 |
| 40 | Screw, clamp plate | | 6 | 5990.007 | 9630024595 |
| 45 | Drain plug | | 2 | 1660.004 | 9630023546 |
| 46 | Sight glass - standard (for ATEX pump see 'ATEX Parts') | | 1 | 5480.001 | 9630032778 |
| 47 | Filler plug - standard (for ATEX pump see 'ATEX Parts') | | 1 | 31491.0052.1 | 9630018599 |
| 48 | Plug | | 2 | 1660.008 | 9630023548 |
| 49 | Blanking plug | | 4 | 5470.020 | 9630087278 |
| 50 | Gland guard - standard (for ATEX pump see 'ATEX Parts') | | 2 | 5243.112 | 9630089812 |
| 51 | Screw, gland guard | | 4 | 6000.010 | 9630050533 |
| 53 | Washer, gland guard | | 4 | 31499.5903.3 | 9630039001 |
| 54 | Foot, vertical port | AL Blue | 1 | 5225.402.00 | 9630091540 |
| 56 | Foot, horizontal port | AL Blue | 1 | 5225.302.00 | 9630091831 |
| 58 | Bolt, Foot | | 2 | 6000.015 | 9630074794 |



| SRU3 Pump | | | | | | |
|---------------------------|---------------------------------|--|------------------------|------------------------|--------------------------|------------|
| Drg No. | Description | | Qty | Part No. | Item No. | |
| 1 | Gearcase - universal mounting | AL Blue | 1 | 5220.353.00 | 9630094201 | |
| 2 | Dowel | | 2 | 5170.010 | 9630023461 | |
| 3 | Stud, rotorcase retention | | 4 | 6350.105 | 9630027485 | |
| 4 | Nut, rotorcase retention | | 4 | 5330.000 | 9630024051 | |
| 4A | Washer, rotorcase retention | | 4 | 6400.037 | 9630024233 | |
| 5 | Cover, gearcase | | 1 | 5120.163 | 9630070039 | |
| 6 | Screw, gearcase cover | | 6 | 5990.044 | 9630030096 | |
| 7 | Lip seal, drive end | (not for ATEX) NBR FPM | 1 | 5310.004 5310.080 | 9630023983 9630032808 | |
| 8 | Shim | (not for ATEX) Polymex St.Stl | 1 set | 6150.154 6150.155 | 9630034130 9630034030 | |
| 8A | Shim retainer | | 2 | 6150.313 | 9630089542 | |
| 8B | Screw, shim retainer | | 4 | 6000.010 | 9630050533 | |
| 9 | Rotorcase | | 1 | see page 26-33 | see page 26-33 | |
| 10 | Stud, rotorcase/cover retention | Std For rectangular inlet | 8 4 | 6350.095 6350.052 | 9630027490 9630022111 | |
| 11 | 'O' Ring, cover - plain | NBR FPM EPDM PTFE | 1 | 1550.258 | 9630046234 | |
| | | | | 1551.258 | 9630046235 | |
| | | | | 1555.258 | 9630046236 | |
| | | | | 1552.258 | 9630040637 | |
| 11 | 'O' Ring, cover - relief valve | NBR FPM EPDM PTFE | 1 | 1550.260 | 9630030271 | |
| | | | | 1551.260 | 9630026048 | |
| | | | | 1555.260 | 9630026951 | |
| | | | | 1552.260 | 9630031555 | |
| 12 | Cover, rotorcase | Plain For rectangular inlet Drilled for jacket Relief valve | 1 | 5130.313 | 9630046122 | |
| | | | | 5130.343 | 9630048101 | |
| | | | | 5130.333 | 9630027766 | |
| | | | | see page 63 | see page 63 | |
| 13 | Dome nut, rotorcase cover | Std For rectangular inlet | 8 4 | 5340.047 | 9630029651 | |
| | | | | 5340.022 | 9630024088 | |
| 14 | Retainer, seal | | 2 | 5560.032 | 9630025431 | |
| 15 | Screw, seal retainer | | 6 | 5990.007 | 9630024595 | |
| 16 | Lip seal, gland end | (not for ATEX) NBR FPM | 2 | 5310.039 | 9630030625 | |
| | | | | 5310.072 | 9630032798 | |
| 17 | Rotor, Trilobe Stainless Steel | 10 bar 70°C | 2 | 5740.027M | 9630046726 | |
| | | 10 bar 130°C | | SRU3/027/ LS and HS | 5740.027N | 9630032535 |
| | | 10 bar 200°C | | 5740.027P | 9630046365 | |
| | | 15 bar 70°C | | 5740.027T | 9630047194 | |
| | | 15 bar 130°C | | SRU3/027/ LD and HD | 5740.027V | 9630046354 |
| | | 15 bar 200°C | | 5740.027W | 9630047752 | |
| | Rotor, Bilobe Stainless Steel | 10 bar 70°C | 2 | 5741.027M | 9630090584 | |
| | | 10 bar 130°C | | SRU3/027/ LS and HS | 5741.027N | 9630090585 |
| | | 10 bar 200°C | | 5741.027P | 9630090586 | |
| | | 15 bar 70°C | | 5741.027T | 9630090588 | |
| | | 15 bar 130°C | | SRU3/027/ LD and HD | 5741.027V | 9630090589 |
| | | 15 bar 200°C | | 5741.027W | 9630090600 | |
| Rotor, Bilobe non-galling | 10 bar 70°C | 2 | 5761.027M | 9630090415 | | |
| | 10 bar 130°C | | SRU3/027/ LS and HS | 5761.027N | 9630090416 | |
| | 10 bar 200°C | | 5761.027P | 9630090417 | | |
| | 15 bar 70°C | | 5761.027T | 9630090418 | | |
| | 15 bar 130°C | | SRU3/027/ LD and HD | 5761.027V | 9630090419 | |
| | 15 bar 200°C | | 5761.027W | 9630090420 | | |
| | Rotor, Trilobe, NBR covered | SRU3/027 | | 5722.027 | 9630021284 | |



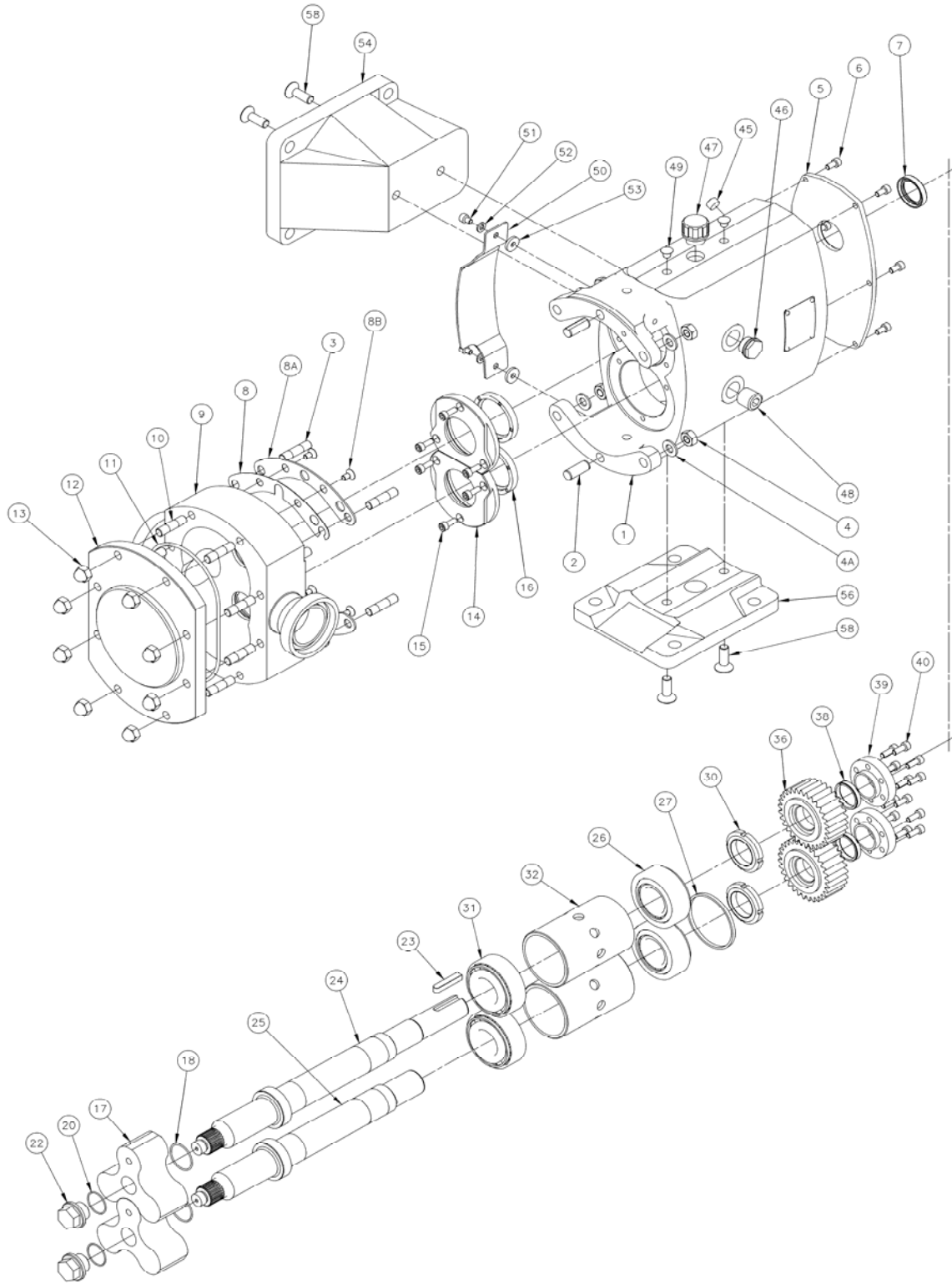
| SRU3 Pump (continued) | | | | | |
|---------------------------|---|--------------|-----------|-------------|------------|
| Drg No. | Description | | Qty | Part No. | Item No. |
| 17 | Rotor, Trilobe Stainless Steel | 7 bar 70°C | 2 | 5740.038M | 9630027757 |
| | | 7 bar 130°C | | 5740.038N | 9630039955 |
| | | 7 bar 200°C | | 5740.038P | 9630048052 |
| | | 10 bar 70°C | | 5740.038T | 9630047753 |
| | | 10 bar 130°C | | 5740.038V | 9630048053 |
| | | 10 bar 200°C | | 5740.038W | 9630048054 |
| | Rotor, Bilobe Stainless Steel | 7 bar 70°C | 2 | 5741.038M | 9630090540 |
| | | 7 bar 130°C | | 5741.038N | 9630090539 |
| | | 7 bar 200°C | | 5741.038P | 9630090542 |
| | | 10 bar 70°C | | 5741.038T | 9630090544 |
| | | 10 bar 130°C | | 5741.038V | 9630090545 |
| | | 10 bar 200°C | | 5741.038W | 9630090546 |
| Rotor, Bilobe non-galling | 7 bar 70°C | 2 | 5761.038M | 9630090494 | |
| | 7 bar 130°C | | 5761.038N | 9630090495 | |
| | 7 bar 200°C | | 5761.038P | 9630090496 | |
| | 10 bar 70°C | | 5761.038T | 9630090497 | |
| | 10 bar 130°C | | 5761.038V | 9630090498 | |
| | 10 bar 200°C | | 5761.038W | 9630090499 | |
| | Rotor, Trilobe, NBR covered | SRU3/038 | | 5722.038 | 9630026256 |
| 18 | 'O' Ring, rotor sealing shaft end (St.Stl rotor) | NBR | 2 | 1550.026 | 9630038950 |
| | | FPM | | 1551.026 | 9630038951 |
| | | EPDM | | 1555.026 | 9630038952 |
| | | PTFE | | 1558.026 | 9630046456 |
| | 'O' Ring, rotor sealing shaft end (NBR covered rotor) | NBR | 2 | 5380.261 | 9630029980 |
| | | FPM | | 5380.271 | 9630026280 |
| | | EPDM | | 5380.355 | 9630037533 |
| | | | | | |
| 20 | 'O' Ring, rotor sealing nut end | NBR | 2 | 1550.024 | 9630031566 |
| | | FPM | | 1551.024 | 9630046189 |
| | | EPDM | | 1555.024 | 9630046190 |
| | | PTFE | | 1558.024 | 9630046191 |
| 22 | Nut, rotor retention | SRU3/027 | 2 | 5900.165 | 9630046130 |
| | | SRU3/038 | | 5900.166 | 9630046138 |
| 23 | Key | | 1 | 5270.031 | 9630031499 |
| 24 | Shaft, drive (St.Stl) | R90 | 1 | 6110.593 | 9630033130 |
| | | Hyclean | | 6110.657 | 9630046282 |
| | Shaft, drive (Duplex) | R90 | 1 | 6110.643 | 9630043091 |
| | | Hyclean | | 6110.661 | 9630026038 |
| 25 | Shaft, auxiliary (St.Stl) | R90 | 1 | 6100.593 | 9630033127 |
| | | Hyclean | | 6100.657 | 9630046260 |
| | Shaft, auxiliary (Duplex) | R90 | 1 | 6100.643 | 9630043090 |
| | | Hyclean | | 6100.661 | 9630046262 |
| 26 | Bearing, rear | | 2 | 5080.013 | 9630029030 |
| 27 | Spacer, shaft abutment | | 1 | 5670.063.01 | 9630032683 |
| 30 | Nut, bearing | | 2 | 5340.042 | 9630029137 |
| 31 | Bearing, front | | 2 | 5080.013 | 9630029030 |
| 32 | Spacer, bearing | | 2 | 5670.058 | 9630029695 |
| 36 | Timing gear | St.Stl shaft | 2 | 5210.032 | 9630028272 |
| | | Duplex shaft | | 5210.038 | 9630027688 |
| 38 | Torque locking element | St.Stl shaft | 2 | 5615.016 | 9630030273 |
| | | Duplex shaft | | 4 | 5615.016 |
| 39 | Clamp plate | | 2 | 5110.041 | 9630029175 |
| 40 | Screw, clamp plate | | 12 | 5990.005 | 9630024591 |



| SRU3 Pump (continued) | | | | |
|-----------------------|---|-----|--------------|------------|
| Drp No. | Description | Qty | Part No. | Item No. |
| 45 | Drain plug | 2 | 1660.004 | 9630023546 |
| 46 | Sight glass - standard (for ATEX pump see 'ATEX Parts') | 1 | 5480.001 | 9630032778 |
| 47 | Filler plug - standard (for ATEX pump see 'ATEX Parts') | 1 | 31491.0052.1 | 9630018599 |
| 48 | Plug | 2 | 1660.008 | 9630023548 |
| 49 | Blanking plug | 4 | 5470.020 | 9630087278 |
| 50 | Gland guard - standard (for ATEX pump see 'ATEX Parts') | 2 | 5243.113 | 9630089813 |
| 51 | Screw, gland guard | 4 | 5990.045 | 9630030332 |
| 52 | Washer, gland guard | 4 | 6400.046 | 9630030121 |
| 53 | Washer, gland guard | 4 | 31499.5903.3 | 9630039001 |
| 54 | Foot, vertical port AL Blue | 1 | 5225.413.00 | 9630878758 |
| 56 | Foot, horizontal port AL Blue | 1 | 5225.303.00 | 9630091467 |
| 58 | Bolt, Foot | 2 | 6000.014 | 9630074776 |



SRU1-3 Pump Model - Exploded View Drawing



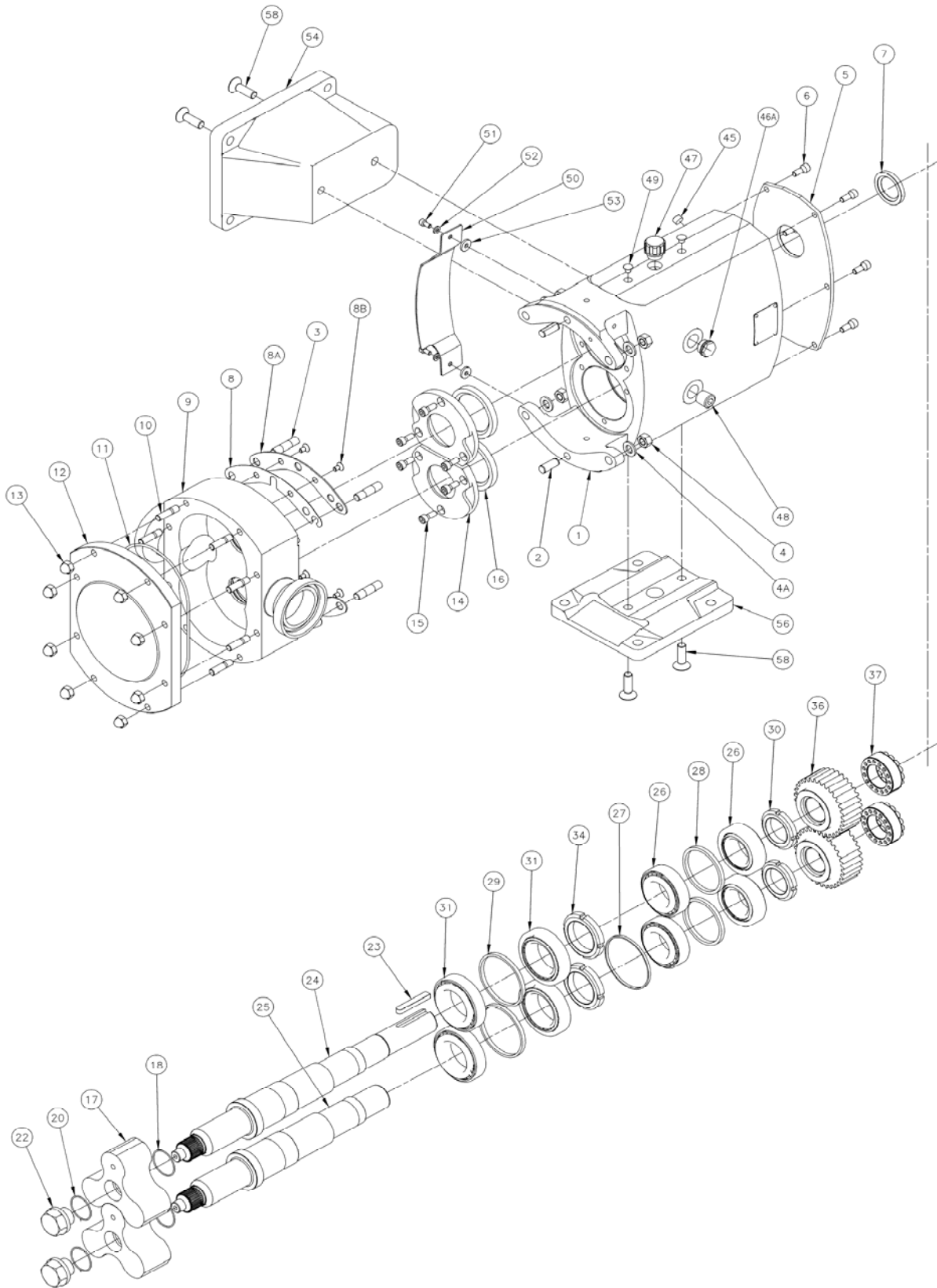
| SRU4 Pump | | | | | | |
|--------------------------------|---------------------------------|----------------------------------|------------------------|------------------------|--------------------------|------------|
| Drg No. | Description | | Qty | Part No. | Item No. | |
| 1 | Gearcase - universal mounting | AL Blue | 1 | 5220.354.00 | 9630094202 | |
| 2 | Dowel | | 2 | 5170.010 | 9630023461 | |
| 3 | Stud, rotorcase retention | | 4 | 6350.138 | 9630052265 | |
| 4 | Nut, rotorcase retention | | 4 | 5330.001 | 9630024053 | |
| 4A | Washer, rotorcase retention | | 4 | 6400.038 | 9630024236 | |
| 5 | Cover, gearcase | | 1 | 5120.184 | 9630087616 | |
| 6 | Screw, gearcase cover | | 6 | 5990.030 | 9630024629 | |
| 7 | Lip seal, drive end | (not for ATEX) NBR FPM | 1 | 5310.048 5310.081 | 9630030624 9630032809 | |
| 8 | Shim | (not for ATEX) Polymex St.Stl | 1 set | 6150.156 6150.157 | 9630033702 9630033704 | |
| 8A | Shim retainer | | 2 | 6150.314 | 9630089543 | |
| 8B | Screw, shim retainer | | 4 | 6000.010 | 9630050533 | |
| 9 | Rotorcase | | 1 | see page 26-33 | see page 26-33 | |
| 10 | Stud, rotorcase/cover retention | | 8 | 6350.104 | 9630019863 | |
| 11 | 'O' Ring, cover - plain | NBR | 1 | 1550.265 | 9630046177 | |
| | | FPM | | 1551.265 | 9630037519 | |
| | | EPDM | | 1555.265 | 9630046178 | |
| | | PTFE | | 1552.265 | 9630026547 | |
| 11 | 'O' Ring, cover - relief valve | NBR | 1 | 1550.267 | 9630029958 | |
| | | FPM | | 1551.267 | 9630026117 | |
| | | EPDM | | 1555.267 | 9630019861 | |
| | | PTFE | | 1552.267 | 9630031556 | |
| 12 | Cover, rotorcase | Plain | 1 | 5130.314 | 9630046124 | |
| | | Drilled for jacket | | 5130.334 | 9630030268 | |
| | | Relief valve | | see page 63 | see page 63 | |
| 13 | Dome nut, rotorcase cover | | 8 | 5340.047 | 9630029651 | |
| 14 | Retainer, seal | | 2 | 5560.034 | 9630028443 | |
| 15 | Screw, seal retainer | | 6 | 5990.030 | 9630024629 | |
| 16 | Lip seal, gland end | (not for ATEX) NBR | 2 | 5310.041 | 9630030627 | |
| | | FPM | | 5310.074 | 9630032800 | |
| 17 | Rotor, Trilobe Stainless Steel | 10 bar 70°C | 2 | 5740.055D | 9630046158 | |
| | | 10 bar 130°C | | SRU4/055/ LS and HS | 5740.055E | 9630044012 |
| | | 10 bar 200°C | | 5740.055F | 9630046289 | |
| | | 20 bar 70°C | | 5740.055K | 9630034398 | |
| | | 20 bar 130°C | | SRU4/055/ LD and HD | 5740.055L | 9630046964 |
| | | 20 bar 200°C | | 5740.055M | 9630046996 | |
| | Rotor, Bilobe Stainless Steel | 10 bar 70°C | 2 | 5741.055D | 9630090601 | |
| | | 10 bar 130°C | | SRU4/055/ LS and HS | 5741.055E | 9630090603 |
| | | 10 bar 200°C | | 5741.055F | 9630090604 | |
| | | 20 bar 70°C | | 5741.055K | 9630090605 | |
| | | 20 bar 130°C | | SRU4/055/ LD and HD | 5741.055L | 9630090606 |
| | | 20 bar 200°C | | 5741.055M | 9630090607 | |
| Rotor, Bilobe non-galling | 10 bar 70°C | 2 | 5761.055D | 9630090500 | | |
| | 10 bar 130°C | | SRU4/055/ LS and HS | 5761.055E | 9630090501 | |
| | 10 bar 200°C | | 5761.055F | 9630090502 | | |
| | 20 bar 70°C | | 5761.055K | 9630090503 | | |
| | 20 bar 130°C | | SRU4/055/ LD and HD | 5761.055L | 9630090504 | |
| | 20 bar 200°C | | 5761.055M | 9630090505 | | |
| Rotor, Trilobe, NBR covered | | SRU4/055 | | 5722.055 | 9630027382 | |
| Rotor, Trilobe Stainless Steel | 7 bar 70°C | 2 | 5740.079D | 9630046159 | | |
| | 7 bar 130°C | | SRU4/079/ LS and HS | 5740.079E | 9630039235 | |
| | 7 bar 200°C | | 5740.079F | 9630028324 | | |
| | 15 bar 70°C | | 5740.079K | 9630018802 | | |
| | 15 bar 130°C | | SRU4/079/ LD and HD | 5740.079L | 9630048055 | |
| | 15 bar 200°C | | 5740.079M | 9630048056 | | |



| SRU4 Pump (continued) | | | | | |
|-----------------------------|---|--------------|-----------|--------------|------------|
| Drq No. | Description | | Qty | Part No. | Item No. |
| 17 | Rotor, Bilobe Stainless Steel | 7 bar 70°C | 2 | 5741.079D | 9630090608 |
| | | 7 bar 130°C | | 5741.079E | 9630090609 |
| | | 7 bar 200°C | | 5741.079F | 9630090610 |
| | | 15 bar 70°C | | 5741.079K | 9630090611 |
| | | 15 bar 130°C | | 5741.079L | 9630090612 |
| | | 15 bar 200°C | | 5741.079M | 9630090613 |
| | Rotor, Bilobe non-galling | 7 bar 70°C | 2 | 5761.079D | 9630090506 |
| | | 7 bar 130°C | | 5761.079E | 9630090507 |
| | | 7 bar 200°C | | 5761.079F | 9630090508 |
| | | 15 bar 70°C | | 5761.079K | 9630090509 |
| Rotor, Trilobe, NBR covered | 15 bar 130°C | 2 | 5761.079L | 9630090510 | |
| | 15 bar 200°C | | 5761.079M | 9630090511 | |
| | | | 5722.079 | 9630027172 | |
| 18 | 'O' Ring, rotor sealing shaft end (St.Stl rotor) | NBR | 2 | 1550.030 | 9630046196 |
| | | FPM | | 1551.030 | 9630038931 |
| | | EPDM | | 1555.030 | 9630046197 |
| | | PTFE | | 1558.030 | 9630046198 |
| 20 | 'O' Ring, rotor sealing shaft end (NBR covered rotor) | NBR | 2 | 5380.262 | 9630029979 |
| | | FPM | | 5380.272 | 9630027953 |
| | | EPDM | | 5380.356 | 9630029383 |
| 20 | 'O' Ring, rotor sealing nut end | NBR | 2 | 1550.029 | 9630046192 |
| | | FPM | | 1551.029 | 9630046193 |
| | | EPDM | | 1555.029 | 9630046194 |
| | | PTFE | | 1558.029 | 9630046195 |
| 22 | Nut, rotor retention | SRU4/055 | 2 | 5900.167 | 9630046132 |
| 23 | Key | SRU4/079 | 1 | 5900.168 | 9630046140 |
| 24 | Shaft, drive (St.Stl) | R90 | 1 | 6110.549 | 9630031042 |
| | | Hyclean | | 6110.658 | 9630046283 |
| 25 | Shaft, drive (Duplex) | R90 | 1 | 6110.557 | 9630031045 |
| | | Hyclean | | 6110.662 | 9630046276 |
| 25 | Shaft, auxiliary (St.Stl) | R90 | 1 | 6100.549 | 9630031044 |
| | | Hyclean | | 6100.658 | 9630046265 |
| 26 | Shaft, auxiliary (Duplex) | R90 | 1 | 6100.557 | 9630031046 |
| | | Hyclean | | 6100.662 | 9630046267 |
| 26 | Bearing, rear | | 4 | 5080.014 | 9630029032 |
| 27 | Spacer, shaft abutment | | 1 | 5670.065.01 | 9630035207 |
| 28 | Spacer, bearing drive end | | 2 | 5670.050 | 9630027142 |
| 29 | Spacer, bearing gland end | | 2 | 5670.049 | 9630031175 |
| 30 | Nut, bearing rear | | 2 | 5340.043 | 9630029138 |
| 31 | Bearing, front | | 4 | 5080.015 | 9630029034 |
| 34 | Nut, bearing front | | 2 | 5340.035 | 9630024100 |
| 36 | Timing gear | | 2 | 5210.039 | 9630019630 |
| 37 | Torque locking assembly | | 2 | 5615.000 | 9630024451 |
| 45 | Drain plug | | 2 | 1660.004 | 9630023546 |
| 46 | Sight glass - standard (for ATEX pump see 'ATEX Parts') | | 1 | 5480.001 | 9630032778 |
| 47 | Filler plug - standard (for ATEX pump see 'ATEX Parts') | | 1 | 31491.0052.1 | 9630018599 |
| 48 | Plug | | 2 | 1660.008 | 9630023548 |
| 49 | Blanking plug | | 4 | 5470.021 | 9630089949 |
| 50 | Gland guard - standard (for ATEX pump see 'ATEX Parts') | | 2 | 5243.114 | 9630089814 |
| 51 | Screw, gland guard | | 4 | 5990.045 | 9630030332 |
| 52 | Washer, gland guard | | 4 | 6400.046 | 9630030121 |
| 53 | Washer, gland guard | | 4 | 31499.5903.3 | 9630039001 |
| 54 | Foot, vertical port | AL Blue | 1 | 5225.404.00 | 9630091644 |
| 56 | Foot, horizontal port | AL Blue | 1 | 5225.304.00 | 9630091643 |
| 58 | Bolt, Foot | | 2 | 6000.013 | 9630074775 |



SRU4 Pump Model - Exploded View Drawing



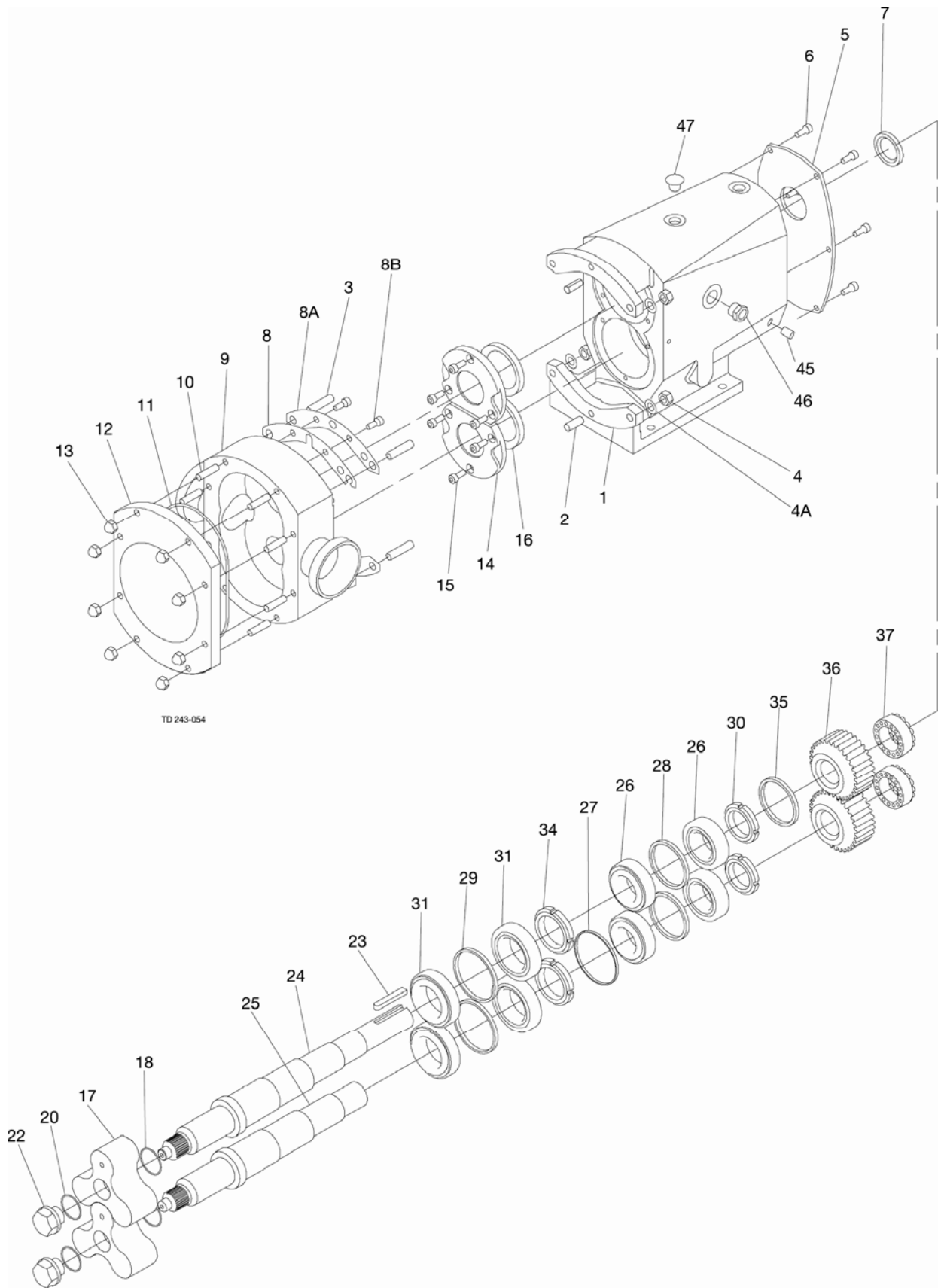
| SRU5 Horizontally Ported Pump | | | | | | |
|--------------------------------|---------------------------------|----------------------------------|-----------------|----------------------|--------------------------|------------|
| Drg No. | Description | | Qty | Part No. | Item No. | |
| 1 | Gearcase | AL Blue | 1 | 5220.079.46 | 9630076099 | |
| 2 | Dowel | | 2 | 5170.010 | 9630023461 | |
| 3 | Stud, rotorcase retention | | 4 | 6350.138 | 9630052265 | |
| 4 | Nut, rotorcase retention | | 4 | 5330.001 | 9630024053 | |
| 4A | Washer, rotorcase retention | | 4 | 6400.038 | 9630024236 | |
| 5 | Cover, gearcase | | 1 | 5120.048 | 9630030981 | |
| 6 | Screw, gearcase cover | | 6 | 5990.030 | 9630024629 | |
| 7 | Lip seal, drive end | (not for ATEX) NBR FPM | 1 | 5310.012 5310.082 | 9630023996 9630032810 | |
| 8 | Shim | (not for ATEX) Polymex St.Stl | 1 set | 6150.158 6150.159 | 9630033860 9630033411 | |
| 8A | Shim retainer | | 2 | 6150.315 | 9630089544 | |
| 8B | Screw, shim retainer | | 4 | 6000.010 | 9630050533 | |
| 9 | Rotorcase | | 1 | see page 26-33 | see page 26-33 | |
| 10 | Stud, rotorcase/cover retention | | 8 | 6350.104 | 9630019863 | |
| 11 | 'O' Ring, cover - plain | NBR | 1 | 1550.273 | 9630046179 | |
| | | FPM | | 1551.273 | 9630046180 | |
| | | EPDM | | 1555.273 | 9630046181 | |
| | | PTFE | | 1552.273 | 9630022526 | |
| 11 | 'O' Ring, cover - relief valve | NBR | 1 | 1550.274 | 9630029652 | |
| | | FPM | | 1551.274 | 9630028410 | |
| | | EPDM | | 1555.274 | 9630027380 | |
| | | PTFE | | 1552.274 | 9630031557 | |
| 12 | Cover, rotorcase | Plain | 1 | 5130.315 | 9630046126 | |
| | | Drilled for jacket | | 5130.335 | 9630027765 | |
| | | Relief valve | | see page 63 | see page 63 | |
| 13 | Dome nut, rotorcase cover | | 8 | 5340.047 | 9630029651 | |
| 14 | Retainer, seal | | 2 | 5560.036 | 9630026099 | |
| 15 | Screw, seal retainer | | 6 | 5990.030 | 9630024629 | |
| 16 | Lip seal, gland end | (not for ATEX) NBR | 2 | 5310.043 | 9630030630 | |
| | | FPM | | 5310.076 | 9630032802 | |
| 17 | Rotor, Trilobe Stainless Steel | 10 bar 70°C | 2 | 5740.116D | 9630046161 | |
| | | 10 bar 130°C | | SRU5/116/ LS | 5740.116E | 9630047513 |
| | | 10 bar 200°C | | 5740.116F | 9630048057 | |
| | | 20 bar 70°C | | 5740.116K | 9630046611 | |
| | | 20 bar 130°C | | SRU5/116/ LD | 5740.116L | 9630048058 |
| | | 20 bar 200°C | | 5740.116M | 9630048059 | |
| | Rotor, Bilobe Stainless Steel | 10 bar 70°C | 2 | 5741.116D | 9630090615 | |
| | | 10 bar 130°C | | SRU5/116/ LS | 5741.116E | 9630090616 |
| | | 10 bar 200°C | | 5741.116F | 9630090617 | |
| | | 20 bar 70°C | | 5741.116K | 9630090618 | |
| | | 20 bar 130°C | | SRU5/116/ LD | 5741.116L | 9630090619 |
| | | 20 bar 200°C | | 5741.116M | 9630090620 | |
| Rotor, Bilobe non-galling | 10 bar 70°C | 2 | 5761.116D | 9630090512 | | |
| | 10 bar 130°C | | SRU5/116/ LS | 5761.116E | 9630090513 | |
| | 10 bar 200°C | | 5761.116F | 9630090514 | | |
| | 20 bar 70°C | | 5761.116K | 9630090515 | | |
| | 20 bar 130°C | | SRU5/116/ LD | 5761.116L | 9630090516 | |
| | 20 bar 200°C | | 5761.116M | 9630090517 | | |
| Rotor, Trilobe, NBR covered | | SRU5/116 | 2 | 5722.116 | 9630021349 | |
| Rotor, Trilobe Stainless Steel | 7 bar 70°C | 2 | 5740.168D | 9630046162 | | |
| | 7 bar 130°C | | SRU5/168/ LS | 5740.168E | 9630035491 | |
| | 7 bar 200°C | | 5740.168F | 9630048060 | | |
| | 15 bar 70°C | | SRU5/168/ LD | 5740.168K | 9630046607 | |
| | 15 bar 130°C | | 5740.168L | 9630048061 | | |
| | 15 bar 200°C | | 5740.168M | 9630048062 | | |



| SRU5 Horizontally Ported Pump (continued) | | | | | |
|---|---|--------------------|------------|--------------|------------|
| Drq No. | Description | | Qty | Part No. | Item No. |
| 17 | Rotor, Bilobe Stainless Steel | 7 bar 70°C | 2 | 5741.168D | 9630090621 |
| | | 7 bar 130°C | | 5741.168E | 9630090622 |
| | | 7 bar 200°C | | 5741.168F | 9630090623 |
| | | 15 bar 70°C | | 5741.168K | 9630090624 |
| | | 15 bar 130°C | | 5741.168L | 9630090625 |
| | | 15 bar 200°C | | 5741.168M | 9630090626 |
| | Rotor, Bilobe non-galling | 7 bar 70°C | 2 | 5761.168D | 9630090518 |
| | | 7 bar 130°C | | 5761.168E | 9630090519 |
| | | 7 bar 200°C | | 5761.168F | 9630090520 |
| | | 15 bar 70°C | | 5761.168K | 9630090521 |
| Rotor, Trilobe, NBR covered | 15 bar 130°C | 2 | 5761.168L | 9630090522 | |
| | 15 bar 200°C | | 5761.168M | 9630090523 | |
| 18 | 'O' Ring, rotor sealing shaft end (St.Stl rotor) | SRU5/168 | 2 | 5722.168 | 9630022562 |
| | | NBR | | 1550.135 | 9630037151 |
| | | FPM | | 1551.135 | 9630037153 |
| | | EPDM | | 1555.135 | 9630037150 |
| | PTFE | 1558.135 | | 9630037154 | |
| 'O' Ring, rotor sealing shaft end (NBR covered rotor) | NBR | 2 | 5380.263 | 9630023523 | |
| FPM | 5380.273 | | 9630027378 | | |
| | EPDM | | 5380.306 | 9630032653 | |
| 20 | 'O' Ring, rotor sealing nut end | NBR | 2 | 1550.133 | 9630037146 |
| | | FPM | | 1551.133 | 9630037148 |
| | | EPDM | | 1555.133 | 9630037145 |
| | | PTFE | | 1558.133 | 9630037149 |
| 22 | Nut, rotor retention | SRU5/116 | 2 | 5900.169 | 9630046134 |
| | | SRU5/168 | | 5900.170 | 9630046142 |
| 23 | Key | | 1 | 5270.013 | 9630023940 |
| 24 | Shaft, drive (St.Stl) | R90 | 1 | 6110.551 | 9630031107 |
| | | Hyclean | | 6110.659 | 9630046284 |
| | Shaft, drive (Duplex) | R90 | | 6110.558 | 9630031111 |
| | | Hyclean | | 6110.663 | 9630046280 |
| 25 | Shaft, auxiliary (St.Stl) | R90 | 1 | 6100.551 | 9630031109 |
| | | Hyclean | | 6100.659 | 9630046271 |
| | Shaft, auxiliary (Duplex) | R90 | | 6100.558 | 9630031110 |
| | | Hyclean | | 6100.663 | 9630046273 |
| 26 | Bearing, rear | | 4 | 5080.015 | 9630029034 |
| 27 | Spacer, shaft abutment | | 1 | 5670.067.01 | 9630035209 |
| 28 | Spacer, bearing drive end | | 2 | 5670.049 | 9630031175 |
| 29 | Spacer, bearing gland end | | 2 | 5670.051 | 9630031133 |
| 30 | Nut, bearing rear | | 2 | 5340.035 | 9630024100 |
| 31 | Bearing, front | | 4 | 5080.017 | 9630029036 |
| 34 | Nut, bearing front | | 2 | 5340.045 | 9630029139 |
| 35 | Lip seal, upper chamber | (not for ATEX) NBR | 1 | 5310.001 | 9630023977 |
| | | FPM | | 5310.068 | 9630032804 |
| 36 | Timing gear | | 2 | 5210.034 | 9630031162 |
| 37 | Torque locking assembly | | 2 | 5615.005 | 9630024455 |
| 45 | Drain plug | | 2 | 1660.008 | 9630023548 |
| 46 | Sight glass - standard (for ATEX pump see 'ATEX Parts') | | 2 | 5480.001 | 9630032778 |
| 47 | Filler plug - standard (for ATEX pump see 'ATEX Parts') | | 2 | 31491.0052.1 | 9630018599 |
| 50 | Gland guard - standard (for ATEX pump see 'ATEX Parts') | | 2 | 5243.115 | 9630089888 |
| 51 | Screw, gland guard | | 2 | 5990.066 | 9630028936 |
| 52 | Washer, gland guard | | 2 | 6400.036 | 9630024231 |
| 53 | Washer, gland guard | | 2 | 31499.5903.3 | 9630039001 |



SRU5 Horizontally Ported Pump Model - Exploded View Drawing



| SRU5 Vertically Ported Pump | | | | | | |
|--------------------------------|---------------------------------|----------------------------------|-----------------|----------------------|--------------------------|------------|
| Drg No. | Description | | Qty | Part No. | Item No. | |
| 1 | Gearcase | AL Blue | 1 | 5220.355.00 | 9630101616 | |
| 2 | Dowel | | 2 | 5170.010 | 9630023461 | |
| 3 | Stud, rotorcase retention | | 4 | 6350.138 | 9630052265 | |
| 4 | Nut, rotorcase retention | | 4 | 5330.001 | 9630024053 | |
| 4A | Washer, rotorcase retention | | 4 | 6400.038 | 9630024236 | |
| 5 | Cover, gearcase | | 1 | 5120.165 | 9630072515 | |
| 6 | Screw, gearcase cover | | 5 | 5990.030 | 9630024629 | |
| 7 | Lip seal, drive end | (not for ATEX) NBR FPM | 1 | 5310.012 5310.082 | 9630023996 9630032810 | |
| 8 | Shim | (not for ATEX) Polymex St.Stl | 1 set | 6150.158 6150.159 | 9630033860 9630033411 | |
| 8A | Shim retainer | | 2 | 6150.315 | 9630089544 | |
| 8B | Screw, shim retainer | | 4 | 6000.010 | 9630050533 | |
| 9 | Rotorcase | | 1 | see page 26-33 | see page 26-33 | |
| 10 | Stud, rotorcase/cover retention | | 8 | 6350.104 | 9630019863 | |
| 11 | 'O' Ring, cover - plain | NBR | 1 | 1550.273 | 9630046179 | |
| | | FPM | | 1551.273 | 9630046180 | |
| | | EPDM | | 1555.273 | 9630046181 | |
| | | PTFE | | 1552.273 | 9630022526 | |
| 11 | 'O' Ring, cover - relief valve | NBR | 1 | 1550.274 | 9630029652 | |
| | | FPM | | 1551.274 | 9630028410 | |
| | | EPDM | | 1555.274 | 9630027380 | |
| | | PTFE | | 1552.274 | 9630031557 | |
| 12 | Cover, rotorcase | Plain | 1 | 5130.315 | 9630046126 | |
| | | Drilled for jacket | | 5130.335 | 9630027765 | |
| | | Relief valve | | see page 63 | see page 63 | |
| 13 | Dome nut, rotorcase cover | | 8 | 5340.047 | 9630029651 | |
| 14 | Retainer, seal | | 2 | 5560.036 | 9630026099 | |
| 15 | Screw, seal retainer | | 6 | 5990.030 | 9630024629 | |
| 16 | Lip seal, gland end | (not for ATEX) NBR | 2 | 5310.043 | 9630030630 | |
| | | FPM | | 5310.076 | 9630032802 | |
| 17 | Rotor, Trilobe Stainless Steel | 10 bar 70°C | 2 | 5740.116D | 9630046161 | |
| | | 10 bar 130°C | | SRU5/116/ HS | 5740.116E | 9630047513 |
| | | 10 bar 200°C | | 5740.116F | 9630048057 | |
| | | 20 bar 70°C | | 5740.116K | 9630046611 | |
| | | 20 bar 130°C | | SRU5/116/ HD | 5740.116L | 9630048058 |
| | | 20 bar 200°C | | 5740.116M | 9630048059 | |
| | Rotor, Bilobe Stainless Steel | 10 bar 70°C | 2 | 5741.116D | 9630090615 | |
| | | 10 bar 130°C | | SRU5/116/ HS | 5741.116E | 9630090616 |
| | | 10 bar 200°C | | 5741.116F | 9630090617 | |
| | | 20 bar 70°C | | 5741.116K | 9630090618 | |
| | | 20 bar 130°C | | SRU5/116/ HD | 5741.116L | 9630090619 |
| | | 20 bar 200°C | | 5741.116M | 9630090620 | |
| Rotor, Bilobe non-galling | 10 bar 70°C | 2 | 5761.116D | 9630090512 | | |
| | 10 bar 130°C | | SRU5/116/ HS | 5761.116E | 9630090513 | |
| | 10 bar 200°C | | 5761.116F | 9630090514 | | |
| | 20 bar 70°C | | 5761.116K | 9630090515 | | |
| | 20 bar 130°C | | SRU5/116/ HD | 5761.116L | 9630090516 | |
| | 20 bar 200°C | | 5761.116M | 9630090517 | | |
| Rotor, Trilobe, NBR covered | | SRU5/116 | 2 | 5722.116 | 9630021349 | |
| Rotor, Trilobe Stainless Steel | 7 bar 70°C | 2 | 5740.168D | 9630046162 | | |
| | 7 bar 130°C | | SRU5/168/ HS | 5740.168E | 9630035491 | |
| | 7 bar 200°C | | 5740.168F | 9630048060 | | |
| | 15 bar 70°C | | SRU5/168/ HD | 5740.168K | 9630046607 | |
| | 15 bar 130°C | | 5740.168L | 9630048061 | | |
| | 15 bar 200°C | | 5740.168M | 9630048062 | | |



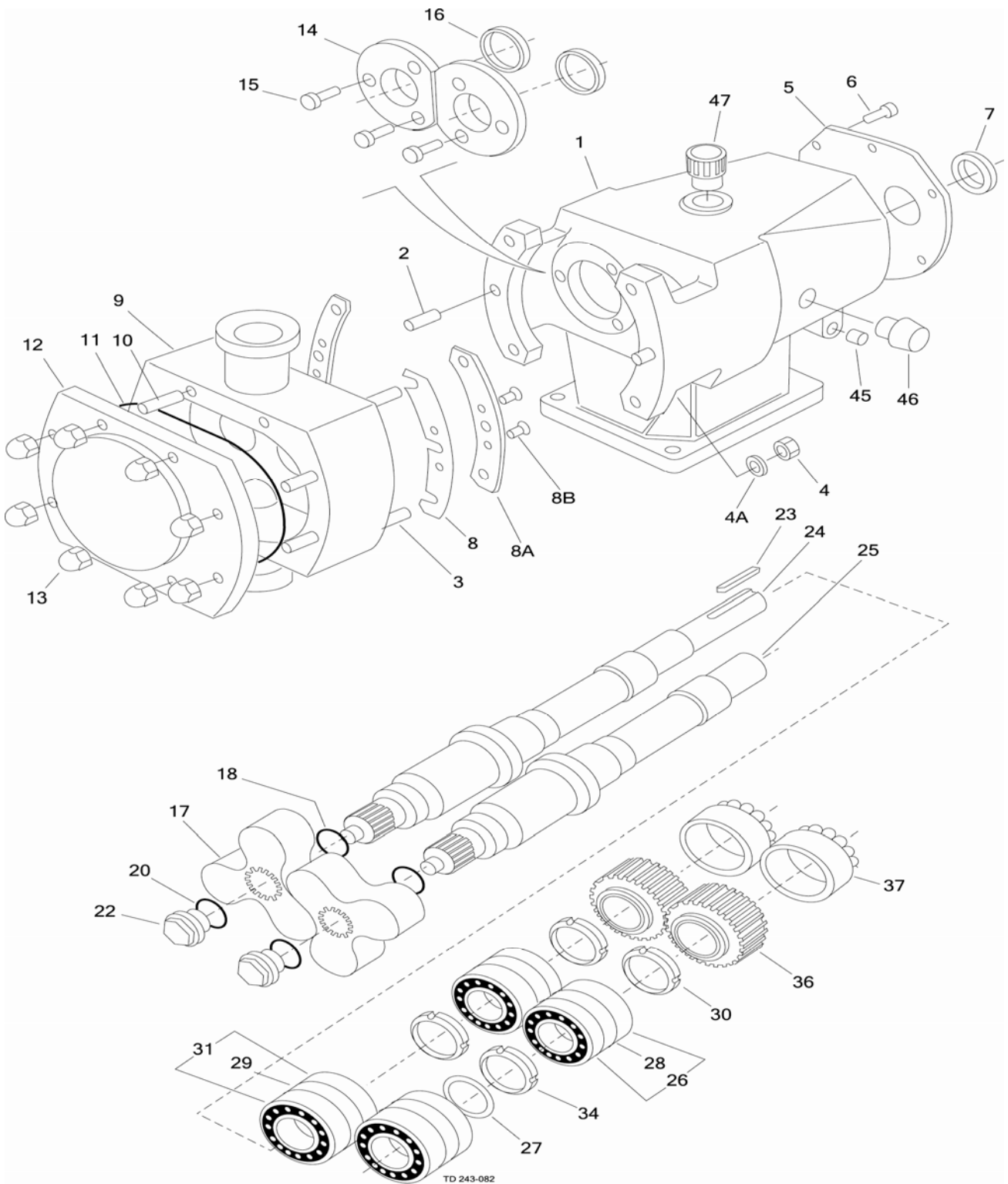
| SRU5 Vertically Ported Pump (continued) | | | | | |
|---|--|--------------|------------|--------------|------------|
| Drq No. | Description | | Qty | Part No. | Item No. |
| 17 | Rotor, Bilobe Stainless Steel | 7 bar 70°C | 2 | 5741.168D | 9630090621 |
| | | 7 bar 130°C | | 5741.168E | 9630090622 |
| | | 7 bar 200°C | | 5741.168F | 9630090623 |
| | | 15 bar 70°C | | 5741.168K | 9630090624 |
| | | 15 bar 130°C | | 5741.168L | 9630090625 |
| | | 15 bar 200°C | | 5741.168M | 9630090626 |
| | Rotor, Bilobe non-galling | 7 bar 70°C | 2 | 5761.168D | 9630090518 |
| | | 7 bar 130°C | | 5761.168E | 9630090519 |
| | | 7 bar 200°C | | 5761.168F | 9630090520 |
| | | 15 bar 70°C | | 5761.168K | 9630090521 |
| Rotor, Trilobe, NBR covered | 15 bar 130°C | 2 | 5761.168L | 9630090522 | |
| | 15 bar 200°C | | 5761.168M | 9630090523 | |
| 18 | 'O' Ring, rotor sealing shaft end (St.Stl rotor) | SRU5/168 | 2 | 5722.168 | 9630022562 |
| | | NBR | | 1550.135 | 9630037151 |
| | | FPM | | 1551.135 | 9630037153 |
| | | EPDM | | 1555.135 | 9630037150 |
| | PTFE | 1558.135 | | 9630037154 | |
| 'O' Ring, rotor sealing shaft end (NBR covered rotor) | NBR | 2 | 5380.263 | 9630023523 | |
| FPM | 5380.273 | | 9630027378 | | |
| | EPDM | | 5380.306 | 9630032653 | |
| 20 | 'O' Ring, rotor sealing nut end | NBR | 2 | 1550.133 | 9630037146 |
| | | FPM | | 1551.133 | 9630037148 |
| | | EPDM | | 1555.133 | 9630037145 |
| | | PTFE | | 1558.133 | 9630037149 |
| 22 | Nut, rotor retention | SRU5/116 | 2 | 5900.169 | 9630046134 |
| | | SRU5/168 | | 5900.170 | 9630046142 |
| 23 | Key | | 1 | 5270.013 | 9630023940 |
| 24 | Shaft, drive (St.Stl) | R90 | 1 | 6110.551 | 9630031107 |
| | | Hyclean | | 6110.659 | 9630046284 |
| | Shaft, drive (Duplex) | R90 | | 6110.558 | 9630031111 |
| | | Hyclean | | 6110.663 | 9630046280 |
| 25 | Shaft, auxiliary (St.Stl) | R90 | 1 | 6100.551 | 9630031109 |
| | | Hyclean | | 6100.659 | 9630046271 |
| | Shaft, auxiliary (Duplex) | R90 | | 6100.558 | 9630031110 |
| | | Hyclean | | 6100.663 | 9630046273 |
| 26 | Bearing, rear | | 4 | 5080.015 | 9630029034 |
| 27 | Spacer, shaft abutment | | 1 | 5670.067.01 | 9630035209 |
| 28 | Spacer, bearing drive end | | 2 | 5670.049 | 9630031175 |
| 29 | Spacer, bearing gland end | | 2 | 5670.051 | 9630031133 |
| 30 | Nut, bearing rear | | 2 | 5340.035 | 9630024100 |
| 31 | Bearing, front | | 4 | 5080.017 | 9630029036 |
| 34 | Nut, bearing front | | 2 | 5340.045 | 9630029139 |
| 36 | Timing gear | | 2 | 5210.034 | 9630031162 |
| 37 | Torque locking assembly | | 2 | 5615.005 | 9630024455 |
| 45 | Drain plug | | 1 | 1660.008 | 9630023548 |
| 46 | Sight glass - standard (for ATEX pump see 'ATEX Parts') | | 1 | 5480.001 | 9630032778 |
| 47 | Filler plug - standard (for ATEX pump see 'ATEX Parts') | | 1 | 31491.0052.1 | 9630018599 |
| 48 | Plug | | 1 | 1660.008 | 9630023548 |
| 50 | Gland guard, upper - standard (for ATEX pump see 'ATEX Parts') | | 1 | 5243.115 | 9630089888 |
| 50A | Gland guard, lower - standard (for ATEX pump see 'ATEX Parts') | | 1 | 5243.117 | 9630090985 |
| 51 | Screw, gland guard | | 3 | 5990.066 | 9630028936 |
| 52 | Washer, gland guard | | 3 | 6400.036 | 9630024231 |
| 53 | Washer, gland guard | | 3 | 31499.5903.3 | 9630039001 |



CSI

CONTACT CSI FOR MORE INFORMATION | CSIDESIGNS.COM | SALES@CSIDESIGNS.COM | 417.831.1411

SRU5 Vertically Ported Pump Model - Exploded View Drawing



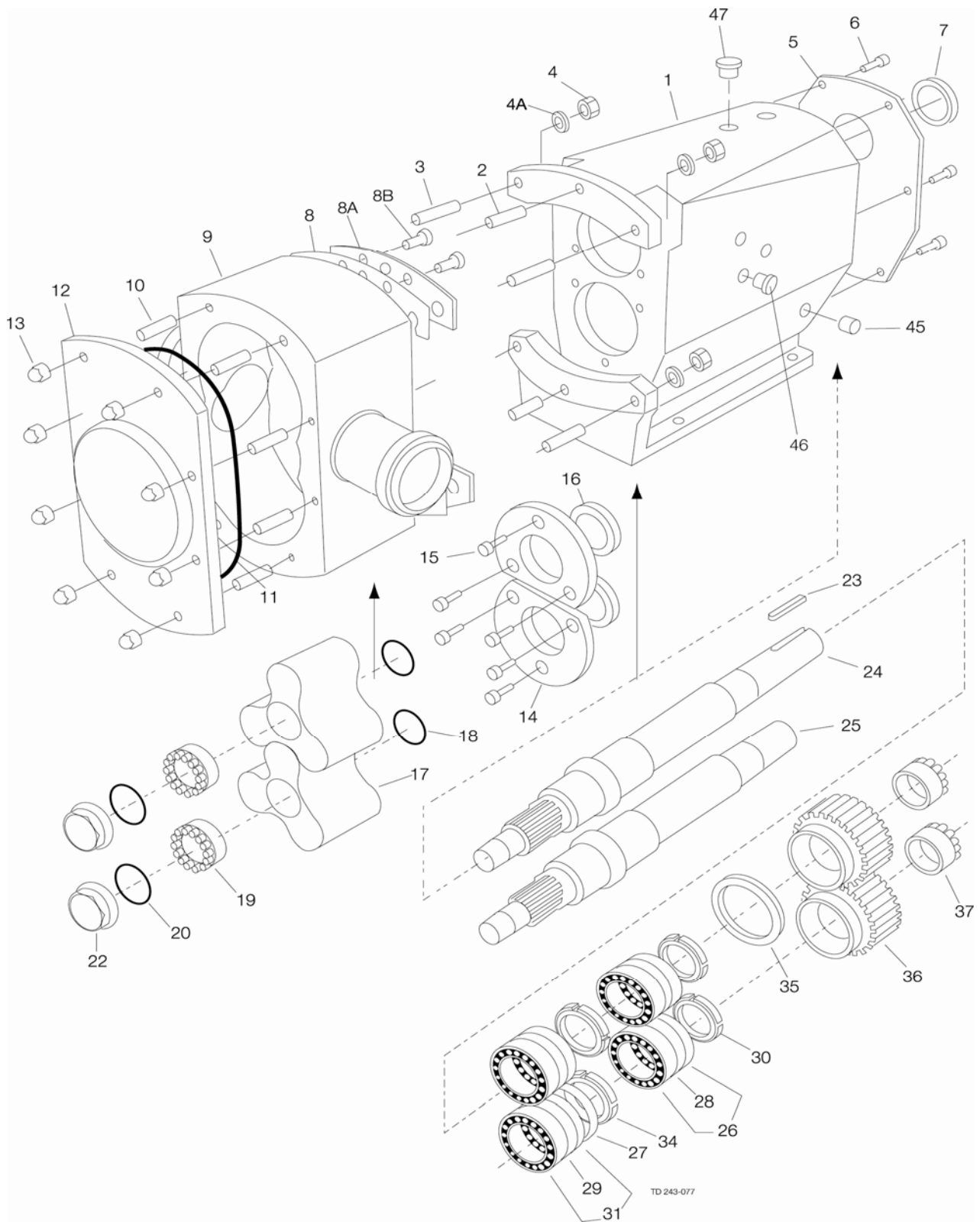
| SRU6 Horizontally Ported Pump | | | | | | |
|--------------------------------|---|--------------|----------------------|--------------------------|------------|------------|
| Drq No. | Description | Qty | Part No. | Item No. | | |
| 1 | Gearcase AL Blue | 1 | 5220.081.46 | 9630076719 | | |
| 2 | Dowel | 2 | 5170.011 | 9630023467 | | |
| 3 | Stud, rotorcase retention | 4 | 6350.139 | 9630052267 | | |
| 4 | Nut, rotorcase retention | 4 | 5330.002 | 9630024055 | | |
| 4A | Washer, rotorcase retention | 4 | 6400.041 | 9630024238 | | |
| 5 | Cover, gearcase | 1 | 5120.049 | 9630030972 | | |
| 6 | Screw, gearcase cover | 6 | 5990.030 | 9630024629 | | |
| 7 | Lip seal, drive end (not for ATEX) NBR FPM | 1 | 5310.039 5310.072 | 9630030625 9630032798 | | |
| 8 | Shim (not for ATEX) Polymex St.Stl | 1 set | 6150.160 6150.161 | 9630033391 9630033392 | | |
| 8A | Shim retainer | 2 | 6150.266 | 9630051782 | | |
| 8B | Screw, shim retainer | 4 | 6000.010 | 9630050533 | | |
| 9 | Rotorcase | 1 | see page 26-33 | see page 26-33 | | |
| 10 | Stud, rotorcase/cover retention | 8 | 6350.098 | 9630030574 | | |
| 11 | 'O' Ring, cover - plain | 1 | NBR | 1550.277 | 9630046182 | |
| | | | FPM | 1551.277 | 9630046183 | |
| | | | EPDM | 1555.277 | 9630046185 | |
| | | | PTFE | 1552.277 | 9630046184 | |
| 11 | 'O' Ring, cover - relief valve | 1 | NBR | 5380.210 | 9630030494 | |
| | | | FPM | 5380.276 | 9630027458 | |
| | | | EPDM | 5380.278 | 9630026948 | |
| | | | PTFE | 5380.266 | 9630031559 | |
| 12 | Cover, rotorcase Plain For rectangular inlet Drilled for jacket Relief valve | 1 | 5130.316 | 9630046128 | | |
| | | | 5130.346 | 9630052945 | | |
| | | | 5130.336 | 9630027763 | | |
| | | | see page 63 | see page 63 | | |
| 13 | Dome nut, rotorcase cover | 8 | 5340.022 | 9630024088 | | |
| 14 | Retainer, seal | 2 | 5560.037 | 9630026103 | | |
| 15 | Screw, seal retainer | 6 | 5990.030 | 9630024629 | | |
| 16 | Lip seal, gland end (not for ATEX) NBR FPM | 2 | 5310.044 | 9630030631 | | |
| | | | 5310.077 | 9630032803 | | |
| 17 | Rotor, Trilobe Stainless Steel | 2 | 10 bar 70°C | SRU6/260/ LS | 5740.260D | 9630088940 |
| | | | 10 bar 130°C | | 5740.260E | 9630088964 |
| | | | 10 bar 200°C | | 5740.260F | 9630088965 |
| | | | 20 bar 70°C | SRU6/260/ LD | 5740.260K | 9630088966 |
| | | | 20 bar 130°C | | 5740.260L | 9630088967 |
| | | | 20 bar 200°C | | 5740.260M | 9630088968 |
| | Rotor, Bilobe Stainless Steel | 2 | 10 bar 70°C | SRU6/260/ LS | 5741.260D | 9630089843 |
| | | | 10 bar 130°C | | 5741.260E | 9630090627 |
| | | | 10 bar 200°C | | 5741.260F | 9630090628 |
| | | | 20 bar 70°C | SRU6/260/ LD | 5741.260K | 9630090629 |
| | | | 20 bar 130°C | | 5741.260L | 9630090630 |
| | | | 20 bar 200°C | | 5741.260M | 9630090631 |
| Rotor, Bilobe non-galling | 2 | 10 bar 70°C | SRU6/260/ LS | 5761.260D | 9630090549 | |
| | | 10 bar 130°C | | 5761.260E | 9630090550 | |
| | | 10 bar 200°C | | 5761.260F | 9630090551 | |
| | | 20 bar 70°C | SRU6/260/ LD | 5761.260K | 9630090552 | |
| | | 20 bar 130°C | | 5761.260L | 9630090553 | |
| | | 20 bar 200°C | | 5761.260M | 9630090554 | |
| Rotor, Trilobe Stainless Steel | 2 | 7 bar 70°C | SRU6/353/ LS | 5740.353D | 9630046164 | |
| | | 7 bar 130°C | | 5740.353E | 9630021847 | |
| | | 7 bar 200°C | | 5740.353F | 9630049090 | |
| | | 15 bar 70°C | SRU6/353/ LD | 5740.353K | 9630048560 | |
| | | 15 bar 130°C | | 5740.353L | 9630020871 | |
| | | 15 bar 200°C | | 5740.353M | 9630057067 | |



| SRU6 Horizontally Ported Pump (continued) | | | | | |
|---|---|--------------------|-----------|--------------|------------|
| Drg No. | Description | | Qty | Part No. | Item No. |
| 17 | Rotor, Bilobe Stainless Steel | 7 bar 70°C | 2 | 5741.353D | 9630090632 |
| | | 7 bar 130°C | | 5741.353E | 9630090633 |
| | | 7 bar 200°C | | 5741.353F | 9630090634 |
| | | 15 bar 70°C | | 5741.353K | 9630090635 |
| | | 15 bar 130°C | | 5741.353L | 9630090636 |
| | | 15 bar 200°C | | 5741.353M | 9630090637 |
| | Rotor, Bilobe non-galling | 7 bar 70°C | 2 | 5761.353D | 9630090532 |
| | | 7 bar 130°C | | 5761.353E | 9630090533 |
| | | 7 bar 200°C | | 5761.353F | 9630090534 |
| | | 15 bar 70°C | | 5761.353K | 9630090535 |
| Rotor, Trilobe, NBR covered | 15 bar 130°C | 2 | 5761.353L | 9630090536 | |
| | 15 bar 200°C | | 5761.353M | 9630090537 | |
| | | | 5722.353 | 9630029892 | |
| 18 | 'O' Ring, rotor sealing shaft end (St.Stl rotor) | NBR | 2 | 1550.143 | 9630046199 |
| | | FPM | | 1551.143 | 9630046200 |
| | | EPDM | | 1555.143 | 9630046201 |
| | | PTFE | | 1558.143 | 9630046202 |
| | 'O' Ring, rotor sealing shaft end (NBR covered rotor) | NBR | | 5380.025 | 9630024124 |
| 19 | Torque locking assembly | FPM | 2 | 5380.026 | 9630024125 |
| | | EPDM | | 5380.079 | 9630024196 |
| | | | | 5615.014 | 9630029039 |
| 20 | 'O' Ring, rotor sealing nut end | NBR | 2 | 1550.143 | 9630046199 |
| | | FPM | | 1551.143 | 9630046200 |
| | | EPDM | | 1555.143 | 9630046201 |
| | | PTFE | | 1558.143 | 9630046202 |
| 22 | Nut, rotor retention | SRU6/260 | 2 | 5900.171 | 9630046136 |
| 23 | Key | SRU6/353 | | 5900.172 | 9630046144 |
| 24 | Shaft, drive (St.Stl) | R90 | 1 | 5270.013 | 9630023940 |
| | | Hyclean | | 6110.553 | 9630030811 |
| | | | | 6110.708 | 9630048167 |
| 25 | Shaft, drive (Duplex) | R90 | 1 | 6110.559 | 9630030814 |
| | | Hyclean | | 6110.709 | 9630048168 |
| | | | | 6100.553 | 9630030813 |
| 26 | Shaft, auxiliary (St.Stl) | Hyclean | 1 | 6100.708 | 9630048162 |
| | | | | 6100.559 | 9630030815 |
| 27 | Bearing, rear | | 4 | 6100.709 | 9630048163 |
| 28 | Spacer, shaft abutment | | | 5080.017 | 9630029036 |
| 29 | Spacer, bearing drive end | | 1 | 5670.068.01 | 9630034661 |
| 30 | Spacer, bearing gland end | | 2 | 5670.051 | 9630031133 |
| 31 | Nut, bearing rear | | 2 | 5670.053 | 9630031135 |
| 32 | Bearing, front | | 2 | 5340.045 | 9630029139 |
| 33 | Nut, bearing front | | 4 | 5080.019 | 9630029038 |
| 34 | Lip seal, upper chamber | (not for ATEX) NBR | 1 | 5340.046 | 9630029140 |
| | | FPM | | 5310.046 | 9630030620 |
| 35 | Timing gear | | 2 | 5310.069 | 9630032805 |
| 36 | Torque locking assembly | | 2 | 5210.035 | 9630030718 |
| 37 | Drain plug | | 2 | 5615.005 | 9630024455 |
| 38 | Drain plug | | 2 | 1660.008 | 9630023548 |
| 39 | Sight glass - standard (for ATEX pump see 'ATEX Parts') | | 2 | 5480.001 | 9630032778 |
| 40 | Filler plug - standard (for ATEX pump see 'ATEX Parts') | | 2 | 31491.0052.1 | 9630018599 |
| 41 | Gland guard - standard (for ATEX pump see 'ATEX Parts') | | 2 | 5243.116 | 9630089889 |
| 42 | Screw, gland guard | | 2 | 5990.066 | 9630028936 |
| 43 | Washer, gland guard | | 2 | 6400.036 | 9630024231 |
| 44 | Washer, gland guard | | 2 | 31499.5903.3 | 9630039001 |



SRU6 Horizontally Ported Pump Model - Exploded View Drawing



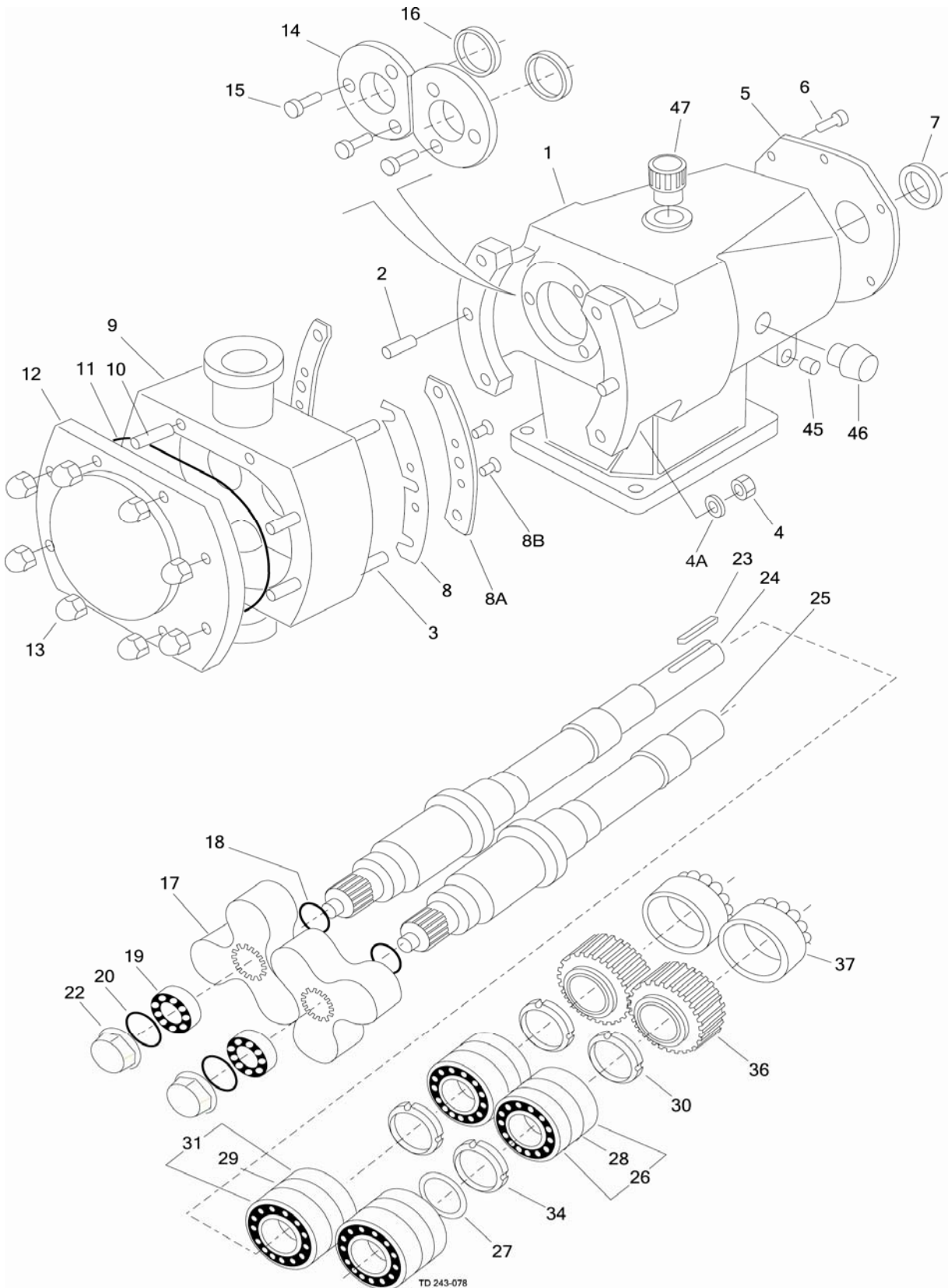
| SRU6 Vertically Ported Pump | | | | | | |
|--------------------------------|---|--------------|----------------------|--------------------------|------------|------------|
| Drg No. | Description | Qty | Part No. | Item No. | | |
| 1 | Gearcase AL Blue | 1 | 5220.329.46 | 9630086308 | | |
| 2 | Dowel | 2 | 5170.011 | 9630023467 | | |
| 3 | Stud, rotorcase retention | 4 | 6350.139 | 9630052267 | | |
| 4 | Nut, rotorcase retention | 4 | 5330.002 | 9630024055 | | |
| 4A | Washer, rotorcase retention | 4 | 6400.041 | 9630024238 | | |
| 5 | Cover, gearcase | 1 | 5120.150 | 9630058651 | | |
| 6 | Screw, gearcase cover | 5 | 5990.030 | 9630024629 | | |
| 7 | Lip seal, drive end (not for ATEX) NBR FPM | 1 | 5310.039 5310.072 | 9630030625 9630032798 | | |
| 8 | Shim (not for ATEX) Polymex St.Stl | 1 set | 6150.160 6151.161 | 9630033391 9630033392 | | |
| 8A | Shim retainer | 2 | 6150.266 | 9630051782 | | |
| 8B | Screw, shim retainer | 4 | 6000.010 | 9630050533 | | |
| 9 | Rotorcase | 1 | see page 26-33 | see page 26-33 | | |
| 10 | Stud, rotorcase/cover retention | 8 | 6350.098 | 9630030574 | | |
| 11 | 'O' Ring, cover - plain | 1 | NBR | 1550.277 | 9630046182 | |
| | | | FPM | 1551.277 | 9630046183 | |
| | | | EPDM | 1555.277 | 9630046185 | |
| | | | PTFE | 1552.277 | 9630046184 | |
| 11 | 'O' Ring, cover - relief valve | 1 | NBR | 5380.210 | 9630030494 | |
| | | | FPM | 5380.276 | 9630027458 | |
| | | | EPDM | 5380.278 | 9630026948 | |
| | | | PTFE | 5380.266 | 9630031559 | |
| 12 | Cover, rotorcase Plain For rectangular inlet Drilled for jacket Relief valve | 1 | 5130.316 | 9630046128 | | |
| | | | 5130.346 | 9630052945 | | |
| | | | 5130.336 | 9630027763 | | |
| | | | see page 63 | see page 63 | | |
| 13 | Dome nut, rotorcase cover | 8 | 5340.022 | 9630024088 | | |
| 14 | Retainer, seal | 2 | 5560.037 | 9630026103 | | |
| 15 | Screw, seal retainer | 6 | 5990.030 | 9630024629 | | |
| 16 | Lip seal, gland end (not for ATEX) NBR FPM | 2 | 5310.044 | 9630030631 | | |
| | | | 5310.077 | 9630032803 | | |
| 17 | Rotor, Trilobe Stainless Steel | 2 | 10 bar 70°C | SRU6/260/ HS | 5740.260D | 9630088940 |
| | | | 10 bar 130°C | | 5740.260E | 9630088964 |
| | | | 10 bar 200°C | | 5740.260F | 9630088965 |
| | | | 20 bar 70°C | SRU6/260/ HD | 5740.260K | 9630088966 |
| | | | 20 bar 130°C | | 5740.260L | 9630088967 |
| | | | 20 bar 200°C | | 5740.260M | 9630088968 |
| | Rotor, Bilobe Stainless Steel | 2 | 10 bar 70°C | SRU6/260/ HS | 5741.260D | 9630089843 |
| | | | 10 bar 130°C | | 5741.260E | 9630090627 |
| | | | 10 bar 200°C | | 5741.260F | 9630090628 |
| | | | 20 bar 70°C | SRU6/260/ HD | 5741.260K | 9630090629 |
| | | | 20 bar 130°C | | 5741.260L | 9630090630 |
| | | | 20 bar 200°C | | 5741.260M | 9630090631 |
| Rotor, Bilobe non-galling | 2 | 10 bar 70°C | SRU6/260/ HS | 5761.260D | 9630090549 | |
| | | 10 bar 130°C | | 5761.260E | 9630090550 | |
| | | 10 bar 200°C | | 5761.260F | 9630090551 | |
| | | 20 bar 70°C | SRU6/260/ HD | 5761.260K | 9630090552 | |
| | | 20 bar 130°C | | 5761.260L | 9630090553 | |
| | | 20 bar 200°C | | 5761.260M | 9630090554 | |
| Rotor, Trilobe Stainless Steel | 2 | 7 bar 70°C | SRU6/353/ HS | 5740.353D | 9630046164 | |
| | | 7 bar 130°C | | 5740.353E | 9630021847 | |
| | | 7 bar 200°C | | 5740.353F | 9630049090 | |
| | | 15 bar 70°C | SRU6/353/ HD | 5740.353K | 9630048560 | |
| | | 15 bar 130°C | | 5740.353L | 9630020871 | |
| | | 15 bar 200°C | | 5740.353M | 9630057067 | |



| SRU6 Vertically Ported Pump (continued) | | | | | |
|---|--|-------------|--------------|--------------|------------|
| Drg No. | Description | | Qty | Part No. | Item No. |
| 17 | Rotor, Bilobe Stainless Steel | 7 bar 70°C | 2 | 5741.353D | 9630090632 |
| | | 7 bar 130°C | | 5741.353E | 9630090633 |
| | | 7 bar 200°C | | 5741.353F | 9630090634 |
| | | SRU6/353/HS | 15 bar 70°C | 5741.353K | 9630090635 |
| | | | 15 bar 130°C | 5741.353L | 9630090636 |
| | | | 15 bar 200°C | 5741.353M | 9630090637 |
| | Rotor, Bilobe non-galling | SRU6/353/HS | 7 bar 70°C | 5761.353D | 9630090532 |
| | | | 7 bar 130°C | 5761.353E | 9630090533 |
| | | | 7 bar 200°C | 5761.353F | 9630090534 |
| | | SRU6/353/HD | 15 bar 70°C | 5761.353K | 9630090535 |
| 15 bar 130°C | | | 5761.353L | 9630090536 | |
| 15 bar 200°C | | | 5761.353M | 9630090537 | |
| | Rotor, Trilobe, NBR covered | SRU6/353 | | 5722.353 | 9630029892 |
| 18 | 'O' Ring, rotor sealing shaft end (St.Stl rotor) | NBR | 2 | 1550.143 | 9630046199 |
| | | FPM | | 1551.143 | 9630046200 |
| | | EPDM | | 1555.143 | 9630046201 |
| | | PTFE | | 1558.143 | 9630046202 |
| | 'O' Ring, rotor sealing shaft end (NBR covered rotor) | NBR | 5380.025 | 9630024124 | |
| | | FPM | 5380.026 | 9630024125 | |
| | | EPDM | 5380.079 | 9630024196 | |
| 19 | Torque locking assembly | | 2 | 5615.014 | 9630029039 |
| 20 | 'O' Ring, rotor sealing nut end | NBR | 2 | 1550.143 | 9630046199 |
| | | FPM | | 1551.143 | 9630046200 |
| | | EPDM | | 1555.143 | 9630046201 |
| | | PTFE | | 1558.143 | 9630046202 |
| 22 | Nut, rotor retention | SRU6/260 | 2 | 5900.171 | 9630046136 |
| | SRU6/353 | 5900.172 | | 9630046144 | |
| 23 | Key | | 1 | 5270.013 | 9630023940 |
| 24 | Shaft, drive (St.Stl) | R90 | 1 | 6110.553 | 9630030811 |
| | | Hyclean | | 6110.708 | 9630048167 |
| | Shaft, drive (Duplex) | R90 | 6110.559 | 9630030814 | |
| | | Hyclean | 6110.709 | 9630048168 | |
| 25 | Shaft, auxiliary (St.Stl) | R90 | 1 | 6100.553 | 9630030813 |
| | | Hyclean | | 6100.708 | 9630048162 |
| | Shaft, auxiliary (Duplex) | R90 | 6100.559 | 9630030815 | |
| | | Hyclean | 6100.709 | 9630048163 | |
| 26 | Bearing, rear | | 4 | 5080.017 | 9630029036 |
| 27 | Spacer, shaft abutment | | 1 | 5670.068.01 | 9630034661 |
| 28 | Spacer, bearing drive end | | 2 | 5670.051 | 9630031133 |
| 29 | Spacer, bearing gland end | | 2 | 5670.053 | 9630031135 |
| 30 | Nut, bearing rear | | 2 | 5340.045 | 9630029139 |
| 31 | Bearing, front | | 4 | 5080.019 | 9630029038 |
| 34 | Nut, bearing front | | 2 | 5340.046 | 9630029140 |
| 36 | Timing gear | | 2 | 5210.035 | 9630030718 |
| 37 | Torque locking assembly | | 2 | 5615.005 | 9630024455 |
| 45 | Drain plug | | 1 | 1660.008 | 9630023548 |
| 46 | Sight glass - standard (for ATEX pump see 'ATEX Parts') | | 1 | 5480.001 | 9630032778 |
| 47 | Filler plug - standard (for ATEX pump see 'ATEX Parts') | | 1 | 31491.0052.1 | 9630018599 |
| 48 | Plug | | 1 | 1660.008 | 9630023548 |
| 50 | Gland guard, upper - standard (for ATEX pump see 'ATEX Parts') | | 1 | 5243.116 | 9630089889 |
| 50A | Gland guard, lower - standard (for ATEX pump see 'ATEX Parts') | | 1 | 5243.118 | 9630090986 |
| 51 | Screw, gland guard | | 3 | 5990.066 | 9630028936 |
| 52 | Washer, gland guard | | 3 | 6400.036 | 9630024231 |
| 53 | Washer, gland guard | | 3 | 31499.5903.3 | 9630039001 |



SRU6 Vertically Ported Pump Model - Exploded View Drawing



Rotorcases - R90 and Packed Gland - SRU1 and SRU2 Pump Models

| Port Standard | Size | | SRU1/005 | | Size | | SRU1/008 | |
|--------------------|------|----|-----------|------------|------|----|-----------|------------|
| | in | mm | Part No. | Item No. | in | mm | Part No. | Item No. |
| BSP | 1 | 25 | 9037.026S | 9630035253 | 1 | 25 | 9402.026S | 9630094184 |
| | | | | | 1½ | 40 | 9038.027S | 9630041361 |
| BSPT | 1 | 25 | 9037.058S | 9630047685 | 1 | 25 | 9402.058S | 9630100140 |
| | | | | | 1½ | 40 | 9038.059S | 9630049263 |
| DIN11851 | 1 | 25 | 9037.090S | 9630035408 | 1 | 25 | 9402.090S | 9630091092 |
| | | | | | 1½ | 40 | 9038.091S | 9630044839 |
| ISS/IDF | 1 | 25 | 9037.042S | 9630041360 | 1 | 25 | 9402.042S | 9630091094 |
| | | | | | 1½ | 40 | 9038.043S | 9630032114 |
| NPT | 1 | 25 | 9037.050S | 9630025360 | 1 | 25 | 9402.050S | |
| | | | | | 1½ | 40 | 9038.051S | 9630041025 |
| RDG | 1 | 25 | 9037.106S | 9630036912 | 1 | 25 | 9402.106S | 9630095526 |
| | | | | | 1½ | 40 | 9038.107S | 9630045960 |
| RJT | 1 | 25 | 9037.034S | 9630040936 | 1 | 25 | 9402.034S | 9630090682 |
| | | | | | 1½ | 40 | 9038.035S | 9630027464 |
| SMS | 1 | 25 | 9037.074S | 9630048554 | 1 | 25 | 9402.074S | 9630091095 |
| | | | | | 1½ | 40 | 9038.075S | 9630035482 |
| SMS FS | 1 | 25 | 9037.098S | 9630042643 | 1 | 25 | 9402.098S | |
| | | | | | 1½ | 40 | 9038.099S | 9630040688 |
| Tri-clamp (BS4825) | 1 | 25 | 9037.082S | 9630034317 | 1 | 25 | 9402.082S | 9630091096 |
| | | | | | 1½ | 40 | 9038.083S | 9630035370 |
| ASA/ANSI 150RF | 1 | 25 | 9037.018S | 9630040467 | 1 | 25 | 9402.018S | 9630091608 |
| | | | | | 1½ | 40 | 9038.019S | 9630032891 |
| BS10E | 1 | 25 | 9037.002S | 9630042822 | 1 | 25 | 9402.002S | |
| | | | | | 1½ | 40 | 9038.003S | 9630045877 |
| BS4504/DIN2533 | 1 | 25 | 9037.010S | 9630046881 | 1 | 25 | 9402.010S | 9630096325 |
| | | | | | 1½ | 40 | 9038.011S | 9630039966 |

| Port Standard | Size | | SRU2/013 | | Size | | SRU2/018 | |
|--------------------|------|----|-----------|------------|------|----|-----------|------------|
| | in | mm | Part No. | Item No. | in | mm | Part No. | Item No. |
| BSP | 1 | 25 | 9403.026S | 9630097142 | 1½ | 40 | 9040.252S | 9630038875 |
| | | | | | 2 | 50 | 9040.028S | 9630035255 |
| BSPT | 1 | 25 | 9403.058S | 9630096197 | 1½ | 40 | 9040.696S | |
| | | | | | 2 | 50 | 9040.060S | 9630041917 |
| DIN11851 | 1 | 25 | 9403.090S | 9630091135 | 1½ | 40 | 9040.276S | 9630047060 |
| | | | | | 2 | 50 | 9040.092S | 9630044840 |
| ISS/IDF | 1 | 25 | 9403.042S | 9630091136 | 1½ | 40 | 9040.318S | 9630051111 |
| | | | | | 2 | 50 | 9040.044S | 9630034882 |
| NPT | 1 | 25 | 9403.050S | | 1½ | 40 | 9040.695S | |
| | | | | 9630035134 | 2 | 50 | 9040.052S | 9630043302 |
| RDG | 1 | 25 | 9403.106S | 9630096259 | 1½ | 40 | 9040.699S | 9630096262 |
| | | | | | 2 | 50 | 9040.108S | 9630040515 |
| RJT | 1 | 25 | 9403.034S | 9630090684 | 1½ | 40 | 9040.342S | 9630049667 |
| | | | | | 2 | 50 | 9040.036S | 9630042855 |
| SMS | 1 | 25 | 9403.074S | 9630091137 | 1½ | 40 | 9040.253S | 9630047840 |
| | | | | | 2 | 50 | 9040.076S | 9630035191 |
| SMS FS | 1 | 25 | 9403.098S | | 1½ | 40 | 9040.698S | |
| | | | | 9630040685 | 2 | 50 | 9040.100S | 9630042901 |
| Tri-clamp (BS4825) | 1 | 25 | 9403.082S | 9630091138 | 1½ | 40 | 9040.274S | 9630050076 |
| | | | | | 2 | 50 | 9040.084S | 9630034323 |
| ASA/ANSI 150RF | 1 | 25 | 9403.018S | 9630097319 | 1½ | 40 | 9040.360S | 9630052895 |
| | | | | | 2 | 50 | 9040.020S | 9630037418 |
| BS10E | 1 | 25 | 9403.002S | | 1½ | 40 | 9040.694S | |
| | | | | 9630046109 | 2 | 50 | 9040.004S | 9630035615 |
| BS4504/DIN2533 | 1 | 25 | 9403.010S | 9630097318 | 1½ | 40 | 9040.416S | 9630066552 |
| | | | | | 2 | 50 | 9040.012S | 9630042646 |

Note: See pages 31-33 for other rotorcase part numbers.



Rotorcases - R90 and Packed Gland - SRU3 and SRU4 Pump Models

| Port Standard | Size | | SRU3/027 | | Size | | SRU3/038 | |
|--------------------|------|----|-----------|------------|------|----|-----------|------------|
| | in | mm | Part No. | Item No. | in | mm | Part No. | Item No. |
| BSP | 1½ | 40 | 9041.252S | 9630053809 | 2 | 50 | 9042.231S | 9630054621 |
| | 2 | 50 | 9041.028S | 9630035459 | 2½ | 65 | 9042.030S | 9630035256 |
| BSPT | 1½ | 40 | 9041.696S | | 2 | 50 | 9042.283S | 9630064524 |
| | 2 | 50 | 9041.060S | 9630029609 | 2½ | 65 | 9042.062S | 9630046105 |
| DIN11851 | 1½ | 40 | 9041.276S | 9630061933 | 2 | 50 | 9042.235S | 9630043521 |
| | 2 | 50 | 9041.092S | 9630046494 | 2½ | 65 | 9042.094S | 9630033350 |
| ISS/IDF | 1½ | 40 | 9041.318S | 9630069141 | 2 | 50 | 9042.233S | 9630045797 |
| | 2 | 50 | 9041.044S | 9630037083 | 2½ | 65 | 9042.046S | 9630045780 |
| NPT | 1½ | 40 | 9041.695S | | 2 | 50 | 9042.707S | |
| | 2 | 50 | 9041.052S | 9630035343 | 2½ | 65 | 9042.054S | 9630049133 |
| RDG | 1½ | 40 | 9041.699S | 9630099043 | 2 | 50 | 9042.383S | 9630071039 |
| | 2 | 50 | 9041.108S | 9630045994 | 2½ | 65 | 9042.110S | 9630041411 |
| RJT | 1½ | 40 | 9041.342S | 9630052370 | 2 | 50 | 9042.232S | 9630046015 |
| | 2 | 50 | 9041.036S | 9630035368 | 2½ | 65 | 9042.038S | 9630033412 |
| SMS | 1½ | 40 | 9041.253S | 9630047805 | 2 | 50 | 9042.234S | 9630049451 |
| | 2 | 50 | 9041.076S | 9630040720 | 2½ | 65 | 9042.078S | 9630039493 |
| SMS FS | 1½ | 40 | 9041.698S | | 2 | 50 | 9042.709S | |
| | 2 | 50 | 9041.100S | 9630040687 | 2½ | 65 | 9042.102S | 9630046884 |
| Tri-clamp (BS4825) | 1½ | 40 | 9041.274S | 9630050075 | 2 | 50 | 9042.271S | 9630050074 |
| | 2 | 50 | 9041.084S | 9630034320 | 2½ | 65 | 9042.086S | 9630035195 |
| ASA/ANSI 150RF | 1½ | 40 | 9041.360S | 9630053629 | 2 | 50 | 9042.272S | 9630049332 |
| | 2 | 50 | 9041.020S | 9630040626 | 2½ | 65 | 9042.022S | 9630030030 |
| BS10E | 1½ | 40 | 9041.694S | | 2 | 50 | 9042.706S | |
| | 2 | 50 | 9041.004S | 9630045554 | 2½ | 65 | 9042.006S | 9630049477 |
| BS4504/DIN2533 | 1½ | 40 | 9041.416S | 9630075563 | 2 | 50 | 9042.327S | 9630050103 |
| | 2 | 50 | 9041.012S | 9630028993 | 2½ | 65 | 9042.014S | 9630041044 |

| Port Standard | Size | | SRU4/055 | | Size | | SRU4/079 | |
|--------------------|------|----|-----------|------------|------|----|-----------|------------|
| | in | mm | Part No. | Item No. | in | mm | Part No. | Item No. |
| BSP | 2 | 50 | 9043.231S | 9630051186 | 2½ | 65 | 9408.644S | |
| | 2½ | 65 | 9043.030S | 9630034294 | 3 | 80 | 9044.135S | 9630035200 |
| BSPT | 2 | 50 | 9043.283S | 9630101275 | 2½ | 65 | 9408.647S | |
| | 2½ | 65 | 9043.062S | 9630047680 | 3 | 80 | 9044.143S | 9630046558 |
| DIN11851 | 2 | 50 | 9043.235S | 9630050860 | 2½ | 65 | 9408.651S | 9630091139 |
| | 2½ | 65 | 9043.094S | 9630028631 | 3 | 80 | 9044.151S | 9630040420 |
| ISS/IDF | 2 | 50 | 9043.233S | 9630050954 | 2½ | 65 | 9408.645S | 9630091140 |
| | 2½ | 65 | 9043.046S | 9630046826 | 3 | 80 | 9044.139S | 9630040340 |
| NPT | 2 | 50 | 9043.707S | | 2½ | 65 | 9408.646S | |
| | 2½ | 65 | 9043.054S | 9630022489 | 3 | 80 | 9044.141S | 9630047284 |
| RDG | 2 | 50 | 9043.383S | 9630099338 | 2½ | 65 | 9408.653S | 9630099339 |
| | 2½ | 65 | 9043.110S | 9630038257 | 3 | 80 | 9044.155S | 9630041401 |
| RJT | 2 | 50 | 9043.232S | 9630049172 | 2½ | 65 | 9408.623S | 9630087647 |
| | 2½ | 65 | 9043.038S | 9630033116 | 3 | 80 | 9044.137S | 9630040693 |
| SMS | 2 | 50 | 9043.234S | 9630051221 | 2½ | 65 | 9408.649S | 9630091141 |
| | 2½ | 65 | 9043.078S | 9630046955 | 3 | 80 | 9044.147S | 9630035480 |
| SMS FS | 2 | 50 | 9043.709S | | 2½ | 65 | 9408.652S | 9630099704 |
| | 2½ | 65 | 9043.102S | 9630036291 | 3 | 80 | 9044.153S | 9630040686 |
| Tri-clamp (BS4825) | 2 | 50 | 9043.271S | 9630051385 | 2½ | 65 | 9408.650S | 9630091142 |
| | 2½ | 65 | 9043.086S | 9630034321 | 3 | 80 | 9044.149S | 9630025894 |
| ASA/ANSI 150RF | 2 | 50 | 9043.272S | 9630044148 | 2½ | 65 | 9408.685S | 9630095534 |
| | 2½ | 65 | 9043.022S | 9630039583 | 3 | 80 | 9044.133S | 9630020783 |
| BS10E | 2 | 50 | 9043.706S | | 2½ | 65 | 9408.683S | |
| | 2½ | 65 | 9043.006S | 9630045833 | 3 | 80 | 9044.129S | 9630045984 |
| BS4504/DIN2533 | 2 | 50 | 9043.327S | 9630053994 | 2½ | 65 | 9408.684S | 9630096996 |
| | 2½ | 65 | 9043.014S | 9630039967 | 3 | 80 | 9044.131S | 9630034945 |

Note: See pages 31-33 for other rotorcase part numbers.



Rotorcases - R90 and Packed Gland - SRU5 and SRU6 Pump Models

| Port Standard | Size | | SRU5/116 | | Size | | SRU5/168 | |
|--------------------|------|----|-----------|------------|------|-----|-----------|------------|
| | in | mm | Part No. | Item No. | in | mm | Part No. | Item No. |
| BSP | 2½ | 65 | 9409.644S | | 3 | 80 | 9410.664S | |
| | 3 | 80 | 9045.135S | 9630035257 | 4 | 100 | 9046.136S | 9630047872 |
| BSPT | 2½ | 65 | 9409.647S | | 3 | 80 | 9410.667S | |
| | 3 | 80 | 9045.143S | 9630046612 | 4 | 100 | 9046.144S | 9630046608 |
| DIN11851 | 2½ | 65 | 9409.651S | 9630091143 | 3 | 80 | 9410.671S | 9630091147 |
| | 3 | 80 | 9045.151S | 9630046584 | 4 | 100 | 9046.152S | 9630044841 |
| ISS/IDF | 2½ | 65 | 9409.645S | 9630091144 | 3 | 80 | 9410.665S | 9630091148 |
| | 3 | 80 | 9045.139S | 9630041749 | 4 | 100 | 9046.140S | 9630027225 |
| NPT | 2½ | 65 | 9409.646S | | 3 | 80 | 9410.666S | |
| | 3 | 80 | 9045.141S | 9630040625 | 4 | 100 | 9046.142S | 9630048066 |
| RDG | 2½ | 65 | 9409.653S | | 3 | 80 | 9410.681S | |
| | 3 | 80 | 9045.155S | 9630042941 | 4 | 100 | 9046.156S | |
| RJT | 2½ | 65 | 9409.623S | 9630087648 | 3 | 80 | 9410.624S | 9630087649 |
| | 3 | 80 | 9045.137S | 9630037447 | 4 | 100 | 9046.138S | 9630039297 |
| SMS | 2½ | 65 | 9409.649S | 9630091145 | 3 | 80 | 9410.669S | 9630091149 |
| | 3 | 80 | 9045.147S | 9630039428 | 4 | 100 | 9046.148S | 9630039495 |
| SMS FS | 2½ | 65 | 9409.652S | 9630099542 | 3 | 80 | 9410.672S | |
| | 3 | 80 | 9045.153S | 9630018870 | 4 | 100 | 9046.154S | 9630046777 |
| Tri-clamp (BS4825) | 2½ | 65 | 9409.650S | 9630091146 | 3 | 80 | 9410.670S | 9630091150 |
| | 3 | 80 | 9045.149S | 9630034322 | 4 | 100 | 9046.150S | 9630043290 |
| ASA/ANSI 150RF | 2½ | 65 | 9409.685S | 9630100771 | 3 | 80 | 9410.737S | |
| | 3 | 80 | 9045.133S | 9630035993 | 4 | 100 | 9046.134S | 9630030124 |
| BS10E | 2½ | 65 | 9409.683S | | 3 | 80 | 9410.735S | |
| | 3 | 80 | 9045.129S | 9630052719 | 4 | 100 | 9046.130S | 9630046969 |
| BS4504/DIN2533 | 2½ | 65 | 9409.684S | 9630101062 | 3 | 80 | 9410.736S | |
| | 3 | 80 | 9045.131S | 9630045737 | 4 | 100 | 9046.132S | 9630025556 |

| Port Standard | Size | | SRU6/260 | | Size | | SRU6/353 | |
|--------------------|------|-----|-----------|------------|------|-----|-----------|------------|
| | in | mm | Part No. | Item No. | in | mm | Part No. | Item No. |
| BSP | 4 | 100 | 9411.032S | | 4 | 100 | 9412.032S | |
| | | | | | 6 | 150 | 9048.280S | 9630029405 |
| BSPT | 4 | 100 | 9411.064S | | 4 | 100 | 9412.064S | |
| | | | | | 6 | 150 | 9048.279S | |
| DIN11851 | 4 | 100 | 9411.096S | 9630091151 | 4 | 100 | 9412.096S | 9630091156 |
| | | | | | 6 | 150 | 9048.230S | 9630049407 |
| ISS/IDF | 4 | 100 | 9411.048S | 9630091152 | 4 | 100 | 9412.048S | 9630091157 |
| | | | | | 6 | 150 | - | - |
| NPT | 4 | 100 | 9411.056S | | 4 | 100 | 9412.056S | |
| | | | | | 6 | 150 | 9048.597S | 9630074167 |
| RDG | 4 | 100 | 9411.112S | 9630094924 | 4 | 100 | 9412.112S | |
| | | | | | 6 | 150 | - | - |
| RJT | 4 | 100 | 9411.040S | 9630091153 | 4 | 100 | 9412.040S | 9630091158 |
| | | | | | 6 | 150 | 9048.222S | 9630046117 |
| SMS | 4 | 100 | 9411.080S | 9630091154 | 4 | 100 | 9412.080S | 9630091159 |
| | | | | | 6 | 150 | - | - |
| SMS FS | 4 | 100 | 9411.104S | 9630096216 | 4 | 100 | 9412.104S | |
| | | | | | 6 | 150 | - | - |
| Tri-clamp (BS4825) | 4 | 100 | 9411.088S | 9630091155 | 4 | 100 | 9412.088S | 9630091160 |
| | | | | | 6 | 150 | 9048.300S | 9630046203 |
| ASA/ANSI 150RF | 4 | 100 | 9411.024S | 9630094539 | 4 | 100 | 9412.024S | |
| | | | | | 6 | 150 | 9048.163S | 9630043089 |
| BS10E | 4 | 100 | 9411.008S | | 4 | 100 | 9412.008S | |
| | | | | | 6 | 150 | 9048.161S | 9630042448 |
| BS4504/DIN2533 | 4 | 100 | 9411.016S | 9630046608 | 4 | 100 | 9412.016S | 9630099663 |
| | | | | | 6 | 150 | 9048.162S | 9630043511 |

Note: See pages 31-33 for other rotorcase part numbers.



| Rotorcases - Hyclean Seal - SRU1 to SRU4 Pump Models | | | | | | | | |
|--|------|----|-----------|------------|------|----|-----------|------------|
| Port Standard | Size | | SRU1/005 | | Size | | SRU1/008 | |
| | in | mm | Part No. | Item No. | in | mm | Part No. | Item No. |
| DIN11851 | 1 | 25 | 9285.090S | 9630054283 | 1 | 25 | 9414.090S | 9630091161 |
| | | | | | 1½ | 40 | 9286.091S | 9630058653 |
| ISS/IDF | 1 | 25 | 9285.042S | 9630056767 | 1 | 25 | 9414.042S | 9630091162 |
| | | | | | 1½ | 40 | 9286.043S | 9630091166 |
| RJT | 1 | 25 | 9285.034S | 9630058406 | 1 | 25 | 9414.034S | 9630091163 |
| | | | | | 1½ | 40 | 9286.035S | 9630059916 |
| SMS | 1 | 25 | 9285.074S | 9630056102 | 1 | 25 | 9414.074S | 9630091164 |
| | | | | | 1½ | 40 | 9286.075S | 9630056103 |
| Tri-clamp (BS4825) | 1 | 25 | 9285.082S | 9630050788 | 1 | 25 | 9414.082S | 9630091165 |
| | | | | | 1½ | 40 | 9286.083S | 9630053014 |
| Port Standard | Size | | SRU2/013 | | Size | | SRU2/018 | |
| | in | mm | Part No. | Item No. | in | mm | Part No. | Item No. |
| DIN11851 | 1 | 25 | 9415.090S | 9630091167 | 1½ | 40 | 9212.276S | 9630065013 |
| | 1½ | 40 | 9211.091S | 9630048096 | 2 | 50 | 9212.092S | 9630053711 |
| ISS/IDF | 1 | 25 | 9415.042S | 9630091168 | 1½ | 40 | 9212.318S | 9630091172 |
| | 1½ | 40 | 9211.043S | 9630052409 | 2 | 50 | 9212.044S | 9630049311 |
| RJT | 1 | 25 | 9415.034S | 9630091169 | 1½ | 40 | 9212.342S | 9630091173 |
| | 1½ | 40 | 9211.035S | 9630050887 | 2 | 50 | 9212.036S | 9630058407 |
| SMS | 1 | 25 | 9415.074S | 9630091170 | 1½ | 40 | 9212.253S | 9630051172 |
| | 1½ | 40 | 9211.075S | 9630025246 | 2 | 50 | 9212.076S | 9630025966 |
| Tri-clamp (BS4825) | 1 | 25 | 9415.082S | 9630091171 | 1½ | 40 | 9212.274S | 9630060346 |
| | 1½ | 40 | 9211.083S | 9630049282 | 2 | 50 | 9212.084S | 9630049452 |
| Port Standard | Size | | SRU3/027 | | Size | | SRU3/038 | |
| | in | mm | Part No. | Item No. | in | mm | Part No. | Item No. |
| DIN11851 | 1½ | 40 | 9213.276S | 9630091174 | 2 | 50 | 9214.235S | 9630059135 |
| | 2 | 50 | 9213.092S | 9630053607 | 2½ | 65 | 9214.094S | 9630064742 |
| ISS/IDF | 1½ | 40 | 9213.318S | 9630091175 | 2 | 50 | 9214.233S | 9630051143 |
| | 2 | 50 | 9213.044S | 9630048390 | 2½ | 65 | 9214.046S | 9630048042 |
| RJT | 1½ | 40 | 9213.342S | 9630091176 | 2 | 50 | 9214.232S | 9630076542 |
| | 2 | 50 | 9213.036S | 9630058140 | 2½ | 65 | 9214.038S | 9630047015 |
| SMS | 1½ | 40 | 9213.253S | 9630059132 | 2 | 50 | 9214.234S | 9630054697 |
| | 2 | 50 | 9213.076S | 9630021034 | 2½ | 65 | 9214.078S | 9630047832 |
| Tri-clamp (BS4825) | 1½ | 40 | 9213.274S | 9630064835 | 2 | 50 | 9214.271S | 9630059760 |
| | 2 | 50 | 9213.084S | 9630041053 | 2½ | 65 | 9214.086S | 9630049378 |
| Port Standard | Size | | SRU4/055 | | Size | | SRU4/079 | |
| | in | mm | Part No. | Item No. | in | mm | Part No. | Item No. |
| DIN11851 | 2 | 50 | 9215.235S | 9630058038 | 2½ | 65 | 9420.651S | 9630091179 |
| | 2½ | 65 | 9215.094S | 9630056738 | 3 | 80 | 9216.151S | 9630051822 |
| ISS/IDF | 2 | 50 | 9215.233S | 9630091178 | 2½ | 65 | 9420.645S | 9630091180 |
| | 2½ | 65 | 9215.046S | 9630050863 | 3 | 80 | 9216.139S | 9630050509 |
| RJT | 2 | 50 | 9215.232S | 9630020697 | 2½ | 65 | 9420.623S | 9630091184 |
| | 2½ | 65 | 9215.038S | 9630056284 | 3 | 80 | 9216.137S | 9630054907 |
| SMS | 2 | 50 | 9215.234S | 9630037077 | 2½ | 65 | 9420.649S | 9630091182 |
| | 2½ | 65 | 9215.078S | 9630047833 | 3 | 80 | 9216.147S | 9630047834 |
| Tri-clamp (BS4825) | 2 | 50 | 9215.271S | 9630059224 | 2½ | 65 | 9420.650S | 9630091183 |
| | 2½ | 65 | 9215.086S | 9630049379 | 3 | 80 | 9216.149S | 9630059310 |

Note: See pages 31-33 for other rotorcase part numbers.



Rotorcases - Hyclean Seal - SRU5 and SRU6 Pump Models

| Port Standard | Size | | SRU5/116 | | Size | | SRU5/168 | |
|--------------------|------|----|-----------|------------|------|-----|-----------|------------|
| | in | mm | Part No. | Item No. | in | mm | Part No. | Item No. |
| DIN11851 | 2½ | 65 | 9421.651S | 9630091186 | 3 | 80 | 9422.671S | 9630091194 |
| | 3 | 80 | 9217.151S | 9630048336 | 4 | 100 | 9218.152S | 9630049898 |
| ISS/IDF | 2½ | 65 | 9421.645S | 9630091187 | 3 | 80 | 9422.665S | 9630091195 |
| | 3 | 80 | 9217.139S | 9630050864 | 4 | 100 | 9218.140S | 9630091199 |
| RJT | 2½ | 65 | 9421.623S | 9630091188 | 3 | 80 | 9422.624S | 9630091196 |
| | 3 | 80 | 9217.137S | 9630057931 | 4 | 100 | 9218.138S | 9630049207 |
| SMS | 2½ | 65 | 9421.649S | 9630091189 | 3 | 80 | 9422.669S | 9630091197 |
| | 3 | 80 | 9217.147S | 9630047837 | 4 | 100 | 9218.148S | 9630047838 |
| Tri-clamp (BS4825) | 2½ | 65 | 9421.650S | 9630091190 | 3 | 80 | 9422.670S | 9630091198 |
| | 3 | 80 | 9217.149S | 9630048868 | 4 | 100 | 9218.150S | 9630056995 |

| Port Standard | Size | | SRU6/260 | | Size | | SRU6/353 | |
|--------------------|------|-----|-----------|------------|------|-----|-----------|------------|
| | in | mm | Part No. | Item No. | in | mm | Part No. | Item No. |
| DIN11851 | 4 | 100 | 9423.096S | 9630091200 | 4 | 100 | 9424.096S | 9630091206 |
| | | | | | 6 | 150 | 9220.230S | 9630052121 |
| ISS/IDF | 4 | 100 | 9423.048S | 9630091202 | 4 | 100 | 9424.048S | 9630091207 |
| | | | | | 6 | 150 | - | - |
| RJT | 4 | 100 | 9423.040S | 9630091203 | 4 | 100 | 9424.040S | 9630091208 |
| | | | | | 6 | 150 | 9220.222S | 9630059131 |
| SMS | 4 | 100 | 9423.080S | 9630091204 | 4 | 100 | 9424.080S | 9630091209 |
| | | | | | 6 | 150 | - | - |
| Tri-clamp (BS4825) | 4 | 100 | 9423.088S | 9630091205 | 4 | 100 | 9424.088S | 9630091210 |
| | | | | | 6 | 150 | 9220.300S | 9630049316 |

Note: See pages 31-33 for other rotorcase part numbers.

Rotorcases - Body Part Numbers

Due to the high number of combinations of rotorcase body and port standard the below tables show how to construct the complete rotorcase part number.

Example:

Rotorcase machined for R90 mechanical seal with 1" (25mm) BSP male connections for SRU1/005 pump.
Part number 9037.026S = 9 + 037 + 026 + S
where 9 = constant
037 = rotorcase body code
026 = rotorcase port code
S = constant (SRU)

Example:

(vertically ported flanged rotorcase SRU1-5 ONLY)
Rotorcase machined for R90 mechanical seal with 1" (25mm) ASA150RF connections for SRU1/005 pump.
Part no. 9037.018/324S = 9 + 037 + 018 + 324 + S
where 9 = constant
037 = rotorcase body code
018 = rotorcase top port code
324 = rotorcase bottom port code for bend
S = constant (SRU)
For bottom flanged bends and gaskets see page 33.

R90 = R90 and Packed Gland Seal
HYC = Hyclean Seal
HS = drilled for Heating Saddle
RECT = Rectangular Inlet
Port bore and code information is for internal use only

| Rotorcase Body | Port Bore Size (mm) | Connection Size (mm) | Code | R90 | | | | HYC | | | | |
|----------------|---------------------|----------------------|------|-----|--------|----------|-------------|-----|--------|----------|-------------|-----|
| | | | | R90 | R90 HS | R90 RECT | R90 RECT HS | HYC | HYC HS | HYC RECT | HYC RECT HS | |
| SRU1/005 | SAN | 22.2 | 25 | B | 037 | 061 | 181 | 241 | 285 | 308 | 483 | 471 |
| | ENL | 26.0 | 40 | C | 038 | 062 | 191 | 242 | 286 | 309 | 454 | 463 |
| SRU2/013 | SAN | 22.2 | 25 | B | 403 | 426 | 433 | 456 | 415 | 440 | 447 | 473 |
| | ENL | 26.0 | 40 | C | 039 | 063 | 182 | 243 | 211 | 231 | 221 | 464 |
| SRU2/018 | SAN | 34.9 | 40 | D | 016 | 052 | - | - | - | - | - | - |
| | ENL | 34.9 | 50 | E | 040 | 064 | 192 | 244 | 212 | 232 | 222 | 474 |
| SRU3/027 | SAN | 34.9 | 40 | D | 017 | 053 | - | - | - | - | - | - |
| | ENL | 34.9 | 50 | E | 041 | 065 | 183 | 245 | 213 | 233 | 223 | 475 |
| SRU3/038 | SAN | 47.6 | 50 | G | 016 | 054 | - | - | - | - | - | - |
| | ENL | 47.6 | 65 | H | 042 | 066 | 193 | 246 | 214 | 234 | 224 | 476 |
| SRU4/055 | SAN | 47.6 | 50 | G | 019 | 055 | - | - | - | - | - | - |
| | ENL | 47.6 | 65 | H | 043 | 067 | 184 | 247 | 215 | 235 | 225 | 477 |
| SRU4/079 | SAN | 60.3 | 65 | I | 408 | 427 | 434 | 457 | 420 | 441 | 448 | 478 |
| | ENL | 63.0 | 80 | K | 044 | 068 | 194 | 248 | 216 | 236 | 226 | 465 |
| SRU5/116 | SAN | 60.3 | 65 | I | 409 | 428 | 435 | 458 | 421 | 442 | 449 | 479 |
| | ENL | 63.0 | 80 | K | 045 | 069 | 185 | 249 | 217 | 237 | 227 | 466 |
| SRU5/168 | SAN | 73.0 | 80 | M | 410 | 429 | 436 | 459 | 422 | 443 | 450 | 480 |
| | ENL | 78.0 | 100 | O | 046 | 070 | 195 | 250 | 218 | 238 | 228 | 467 |
| SRU6/260 | SAN | 97.6 | 100 | P | 411 | 430 | 437 | 460 | 423 | 444 | 451 | 481 |
| SRU6/353 | SAN | 97.6 | 100 | P | 412 | 431 | 438 | 461 | 424 | 445 | 452 | 482 |
| | ENL | 120.0 | 150 | Q | 048 | 072 | 196 | 252 | 220 | 462 | 230 | 468 |



| Rotorcases - Port Part Numbers | | | | | | | | | | | |
|--------------------------------|--------------|-------|------|-----------|-----------|--------------|------------------------|--------------------|----------------------|-------------------------|---------------|
| Rotorcase Port | Port Bore | | | BSP | BSPT | NPT | IDF | RJT | ILC | 3A ACME | RDG |
| | Size (mm) | Bore | Code | | | | | | | | |
| 005 | 25 | 13.5 | A | 025 | 057 | 049 | 041 | 033 | 113 | 065 | 105 |
| 005/008/013 | 25 | 22.2 | B | 026 | 058 | 050 | 042 | 034 | 114 | 066 | 106 |
| 008/013/018/027 | 40 | 26.0 | C | 027 | 059 | 051 | 043 | 035 | 115 | 067 | 107 |
| 018/027 | 40 | 34.9 | D | 252 | 696 | 695 | 318 | 342 | 700 | 697 | 699 |
| 018/027/055 | 50 | 34.9 | E | 028 | 060 | 052 | 044 | 036 | 116 | 068 | 108 |
| 038 | 50 | 38.0 | F | 029 | 061 | 053 | 045 | 037 | 117 | 069 | 109 |
| 038/055 | 50 | 47.6 | G | 231 | 283 | 707 | 233 | 232 | 710 | 708 | 383 |
| 038/055/079/116 | 65 | 47.6 | H | 030 | 062 | 054 | 046 | 038 | 118 | 070 | 110 |
| 079/116 | 65 | 60.3 | I | 644 | 647 | 646 | 645 | 623 | 654 | 648 | 653 |
| 079/116 | 65 | 63.0 | J | - | - | - | 376 | 377 | - | - | - |
| 079/116 | 80 | 63.0 | K | 135 | 143 | 141 | 139 | 137 | 157 | 145 | 155 |
| 168 | 80 | 70.0 | L | 031 | 063 | 055 | 047 | 039 | 119 | 071 | 111 |
| 168 | 80 | 73.0 | M | 664 | 667 | 666 | 665 | 624 | 673 | 668 | 681 |
| 168 | 100 | 78.0 | O | 136 | 144 | 142 | 140 | 138 | 158 | 146 | 156 |
| 260/353 | 100 | 97.6 | P | 032 | 064 | 056 | 048 | 040 | 120 | 072 | 112 |
| 353 | 150 | 120.0 | Q | 280 | 279 | 597 | - | - | - | - | - |
| Rotorcase Port | Port Bore | | | SMS | SMS FS | DIN 11851 | Tri Clamp BS4825 | I LINE | SRJT | Thread Bevel Seat | DS |
| | Size (mm) | Bore | Code | | | | | | | | |
| 005 | 25 | 13.5 | A | 073 | 097 | 089 | 081 | 121 | 564 | 242 | 286 |
| 005/008/013 | 25 | 22.2 | B | 074 | 098 | 090 | 082 | 122 | 565 | 243 | 287 |
| 008/013/018/027 | 40 | 26.0 | C | 075 | 099 | 091 | 083 | 123 | 566 | 244 | 288 |
| 018/027 | 40 | 34.9 | D | 253 | 698 | 276 | 274 | 701 | 567 | 420 | 289 |
| 018/027/055 | 50 | 34.9 | E | 076 | 100 | 092 | 084 | 124 | 568 | 245 | 290 |
| 038 | 50 | 38.0 | F | 077 | 101 | 093 | 085 | 125 | 569 | 246 | 291 |
| 038/055 | 50 | 47.6 | G | 234 | 709 | 235 | 271 | 711 | 570 | 421 | 292 |
| 038/055/079/116 | 65 | 47.6 | H | 078 | 102 | 094 | 086 | 126 | 508 | 247 | 293 |
| 079/116 | 65 | 60.3 | I | 649 | 652 | 651 | 650 | 655 | 662 | 657 | 659 |
| 079/116 | 65 | 63.0 | J | 450 | - | 428 | 323 | - | - | 456 | 384 |
| 079/116 | 80 | 63.0 | K | 147 | 153 | 151 | 149 | 159 | 509 | 250 | 294 |
| 168 | 80 | 70.0 | L | 079 | 103 | 095 | 087 | 127 | 571 | 248 | 295 |
| 168 | 80 | 73.0 | M | 669 | 672 | 671 | 670 | 674 | 738 | 676 | 678 |
| 168 | 100 | 78.0 | O | 148 | 154 | 152 | 150 | 160 | 573 | 251 | 296 |
| 260/353 | 100 | 97.6 | P | 080 | 104 | 096 | 088 | 128 | 572 | 249 | 297 |
| 353 | 150 | 120.0 | Q | - | - | 230 | 300 | - | 222 | - | - |
| Rotorcase Port | Port Bore | | | BS10 E | BS10 F | ASA 150RF | ASA 300RF | BS 4504 PN16 | JIS B2212/ 10F | ASA 150FF | SMS Sodime |
| | Size (mm) | Bore | Code | | | | | | | | |
| 005 | 25 | 13.5 | A | 001 | 168 | 017 | 197 | 009 | 179 | 211 | 396 |
| 005/008/013 | 25 | 22.2 | B | 002 | 169 | 018 | 198 | 010 | 180 | 212 | 397 |
| 008/013/018/027 | 40 | 26.0 | C | 003 | 170 | 019 | 199 | 011 | 181 | 213 | 398 |
| 018/027 | 40 | 34.9 | D | 694 | 702 | 360 | 704 | 416 | 703 | 705 | 399 |
| 018/027/055 | 50 | 34.9 | E | 004 | 171 | 020 | 200 | 012 | 182 | 214 | 400 |
| 038 | 50 | 38.0 | F | 005 | 172 | 021 | 201 | 013 | 183 | 215 | 401 |
| 038/055 | 50 | 47.6 | G | 706 | 712 | 272 | 714 | 327 | 713 | 715 | 402 |
| 038/055/079/116 | 65 | 47.6 | H | 006 | 173 | 022 | 202 | 014 | 184 | 216 | 403 |
| 079/116 | 65 | 60.3 | I | 683 | 686 | 685 | 688 | 684 | 687 | 689 | 661 |
| 079/116 | 65 | 63.0 | J | - | - | - | - | - | - | - | - |
| 079/116 | 80 | 63.0 | K | 129 | 176 | 133 | 203 | 131 | 186 | 217 | 406 |
| 168 | 80 | 70.0 | L | 007 | 174 | 023 | 204 | 015 | 185 | 218 | 404 |
| 168 | 80 | 73.0 | M | 735 | - | 737 | - | 736 | - | - | 680 |
| 168 | 100 | 78.0 | O | 130 | 177 | 134 | 205 | 132 | 188 | 219 | 407 |
| 260/353 | 100 | 97.6 | P | 008 | 175 | 024 | 206 | 016 | 187 | 220 | 405 |
| 353 | 150 | 120.0 | Q | 161 | 178 | 163 | 207 | 162 | 189 | 221 | - |



| Rotorcases - Port Part Numbers (continued) | | | | | | | | | |
|--|-----------|-------|------|-----------|-------------|------|-------|----------|---|
| Rotorcase Port | Port Bore | | | BS | DIN | DIN | DIN | DIN | Rotorcase bottom port code for flanged bend |
| | Size (mm) | Bore | Code | 4504 PN25 | 2576 4504FF | 2573 | 32676 | 11864-1A | |
| 005 | 25 | 13.5 | A | 584 | 467 | 489 | - | - | - |
| 005/008/013 | 25 | 22.2 | B | 585 | 468 | 490 | - | 775 | 324 |
| 008/013/018/027 | 40 | 26.0 | C | 586 | 487 | 491 | - | 605 | 257 |
| 018/027 | 40 | 34.9 | D | - | - | - | - | 776 | - |
| 018/027/055 | 50 | 34.9 | E | 587 | 463 | 492 | - | 606 | 258 |
| 038 | 50 | 38.0 | F | 588 | 469 | 493 | - | - | - |
| 038/055 | 50 | 47.6 | G | 589 | - | - | - | 774 | 273 |
| 038/055/079/116 | 65 | 47.6 | H | 563 | 470 | 488 | 503 | 777 | 259 |
| 079/116 | 65 | 60.3 | I | 690 | 691 | 692 | 693 | 663 | - |
| 079/116 | 65 | 63.0 | J | - | - | 498 | 504 | - | - |
| 079/116 | 80 | 63.0 | K | 593 | 473 | 496 | 499 | 778 | 260 |
| 168 | 80 | 70.0 | L | 590 | 471 | 494 | 505 | 607 | - |
| 168 | 80 | 73.0 | M | - | - | - | - | 682 | - |
| 168 | 100 | 78.0 | O | 594 | 486 | 497 | - | 780 | 261 |
| 260/353 | 100 | 97.6 | P | 591 | 472 | 495 | - | 781 | - |
| 353 | 150 | 120.0 | Q | 595 | - | - | - | - | - |

Flanged Bends (for SRU1-5 vertically ported pumps)

| Rotorcase Port | Port Bore | | | BS10 | ASA | BS | PTFE Gasket |
|----------------|-----------|------|------|----------|----------|-----------|-------------|
| | Size (mm) | Bore | Code | E | 150RF | 4504 PN16 | |
| 005 | 25 | 22.2 | B | 5000.454 | 5000.453 | 5000.455 | 5198.188 |
| 008/013 | 40 | 26.0 | C | 5000.408 | 5000.398 | 5000.413 | 5198.170 |
| 018/027 | 40 | 34.9 | D | - | - | - | - |
| 018/027 | 50 | 34.9 | E | 5000.409 | 5000.399 | 5000.414 | 5198.171 |
| 038/055 | 50 | 47.6 | G | 5000.409 | 5000.399 | 5000.414 | 5198.171 |
| 038/055 | 65 | 47.6 | H | 5000.410 | 5000.400 | 5000.415 | 5198.172 |
| 079/116 | 80 | 63.0 | K | 5000.411 | 5000.401 | 5000.416 | 5198.173 |
| 168 | 100 | 78.0 | O | 5000.412 | 5000.402 | 5000.417 | 5198.174 |

Rectangular to Round Adaptors

The table below shows how to construct the part number for rectangular to round adaptors.

Example:

Rectangular to Round Adaptor with 4" (100mm) SMS connection for SRU4/079 pump.

Part number 5001.359.080 = 5001.359 + 080

where 5001.359 = rectangular adaptor code

080 = adaptor port code (see page 32-33)

| Rotorcase | Port Bore | | | Rectangular Adaptor code |
|-----------|-----------|-------|------|--------------------------|
| | Size (mm) | Bore | Code | |
| SRU1/005 | 40 | 26.0 | C | 5001.435 |
| SRU1/008 | 50 | 38.0 | F | 5001.236 |
| SRU2/013 | 50 | 38.0 | F | 5001.275 |
| SRU2/018 | 80 | 70.0 | L | 5001.237 |
| SRU3/027 | 80 | 70.0 | L | 5001.281 |
| SRU3/038 | 80 | 70.0 | L | 5001.238 |
| SRU4/055 | 100 | 97.6 | P | 5001.316 |
| SRU4/079 | 100 | 97.6 | P | 5001.359 |
| SRU5/116 | 100 | 97.6 | P | 5001.367 |
| SRU5/168 | 150 | 120.0 | Q | 5001.240 |
| SRU6/260 | 150 | 120.0 | Q | |
| SRU6/353 | 150 | 120.0 | Q | 5001.241 |

| Rotorcase | Fixing Stud (4 per adaptor) | | Nut, Fixing Stud (4 per adaptor) | |
|-----------|--------------------------------|------------|-------------------------------------|------------|
| | Part No. | Item No. | Part No. | Item No. |
| SRU1 | 6350.019 | 9630023949 | 5330.007 | 9630024061 |
| SRU2 | 6350.018 | 9630035187 | 5330.007 | 9630024061 |
| SRU3 | 6350.093 | 9630031415 | 5330.003 | 9630024057 |
| SRU4 | 6350.093 | 9630031415 | 5330.003 | 9630024057 |
| SRU5 | 6350.104 | 9630019863 | 5330.000 | 9630024051 |
| SRU6 | 5990.038 | 9630027137 | - | - |

| Rotorcase | 'O' Ring, FPM (1 per adaptor) | |
|-----------|----------------------------------|------------|
| | Part No. | Item No. |
| SRU1/005 | 1551.033 | 9630075998 |
| SRU1/008 | 1551.034 | 9630063230 |
| SRU2/013 | 1551.035 | 9630087703 |
| SRU2/018 | 1551.143 | 9630046200 |
| SRU3/027 | 1551.151 | 9630077949 |
| SRU3/038 | 1551.152 | 9630038937 |
| SRU4/055 | 5380.403 | 9630043060 |
| SRU4/079 | 5380.161 | 9630024291 |
| SRU5/116 | 5380.292 | 9630031929 |
| SRU5/168 | 1551.249 | 9630023462 |
| SRU6/260 | 1551.259 | 9630040020 |
| SRU6/353 | 1551.262 | 9630865829 |

Cover/Spline Sealing Kits - SRU Pump Models

Each kit comprises of Rotorcase Cover 'O' Ring and Rotor 'O' Rings for one pump.

Kits for Relief Valve Covers also include Valve Piston 'O' Ring.

| Cover Type | 'O' Rings | SRU1 | | SRU2 | |
|----------------------|-----------|----------|------------|----------|------------|
| | | Part No. | Item No. | Part No. | Item No. |
| Plain - st.stl rotor | NBR | KU1BB | 9630099423 | KU2BB | 9630099431 |
| | EPDM | KU1CC | 9630099424 | KU2CC | 9630099432 |
| | FPM | KU1DD | 9630099425 | KU2DD | 9630099433 |
| | PTFE | KU1EE | 9630099426 | KU2EE | 9630099434 |
| Plain - rubber rotor | NBR | - | - | KU2GB | 9630099439 |
| Relief Valve | NBR | KU1BG | 9630099427 | KU2BG | 9630099435 |
| | EPDM | KU1CH | 9630099428 | KU2CH | 9630099436 |
| | FPM | KU1DJ | 9630099429 | KU2DJ | 9630099437 |
| | PTFE | KU1EK | 9630099430 | KU2EK | 9630099438 |
| Cover Type | 'O' Rings | SRU3 | | SRU4 | |
| | | Part No. | Item No. | Part No. | Item No. |
| Plain - st.stl rotor | NBR | KU3BB | 9630099440 | KU4BB | 9630099449 |
| | EPDM | KU3CC | 9630099441 | KU4CC | 9630099450 |
| | FPM | KU3DD | 9630099442 | KU4DD | 9630099451 |
| | PTFE | KU3EE | 9630099443 | KU4EE | 9630099452 |
| Plain - rubber rotor | NBR | KU3GB | 9630099448 | KU4GB | 9630099457 |
| Relief Valve | NBR | KU3BG | 9630099444 | KU4BG | 9630099453 |
| | EPDM | KU3CH | 9630099445 | KU4CH | 9630099454 |
| | FPM | KU3DJ | 9630099446 | KU4DJ | 9630099455 |
| | PTFE | KU3EK | 9630099447 | KU4EK | 9630099456 |
| Cover Type | 'O' Rings | SRU5 | | SRU6 | |
| | | Part No. | Item No. | Part No. | Item No. |
| Plain - st.stl rotor | NBR | KU5BB | 9630099458 | KU6BB | 9630099467 |
| | EPDM | KU5CC | 9630099459 | KU6CC | 9630099468 |
| | FPM | KU5DD | 9630099460 | KU6DD | 9630099469 |
| | PTFE | KU5EE | 9630099461 | KU6EE | 9630099470 |
| Plain - rubber rotor | NBR | KU5GB | 9630099466 | KU6GB | 9630099475 |
| Relief Valve | NBR | KU5BG | 9630099462 | KU6BG | 9630099471 |
| | EPDM | KU5CH | 9630099463 | KU6CH | 9630099472 |
| | FPM | KU5DJ | 9630099464 | KU6DJ | 9630099473 |
| | PTFE | KU5EK | 9630099465 | KU6EK | 9630099474 |



Service Kits (R90 Single Mechanical Seals) - SRU Pump Models

Each kit comprises of 1 off Cover/Spline Sealing Kit and 2 off complete Mechanical Seals for one pump.

| Rotary Seal / Stationary Seal Ring | 'O' Rings | SRU1 | | SRU2 | |
|--|-----------|-----------|------------|-----------|------------|
| | | Part No. | Item No. | Part No. | Item No. |
| Stainless Steel / Inserted Carbon | NBR | KU1BB-C10 | 9630856380 | KU2BB-C10 | 9630856404 |
| | EPDM | KU1CC-C11 | 9630856381 | KU2CC-C11 | 9630856405 |
| | FPM | KU1DD-C12 | 9630856382 | KU2DD-C12 | 9630856406 |
| Tungsten Carbide / Inserted Carbon | NBR | KU1BB-C20 | 9630856383 | KU2BB-C20 | 9630856407 |
| | EPDM | KU1CC-C21 | 9630856384 | KU2CC-C21 | 9630856408 |
| | FPM | KU1DD-C22 | 9630856385 | KU2DD-C22 | 9630856409 |
| Tungsten Carbide / Tungsten Carbide | NBR | KU1BB-C40 | 9630856389 | KU2BB-C40 | 9630856413 |
| | EPDM | KU1CC-C41 | 9630856390 | KU2CC-C41 | 9630856414 |
| | FPM | KU1DD-C42 | 9630856391 | KU2DD-C42 | 9630856415 |
| Silicon Carbide / Inserted Carbon | NBR | KU1BB-C30 | 9630856386 | KU2BB-C30 | 9630856410 |
| | EPDM | KU1CC-C31 | 9630856387 | KU2CC-C31 | 9630856411 |
| | FPM | KU1DD-C32 | 9630856388 | KU2DD-C32 | 9630856412 |
| Silicon Carbide / Silicon Carbide | NBR | KU1BB-C50 | 9630856392 | KU2BB-C50 | 9630856416 |
| | EPDM | KU1CC-C51 | 9630856393 | KU2CC-C51 | 9630856417 |
| | FPM | KU1DD-C52 | 9630856394 | KU2DD-C52 | 9630856418 |
| Rotary Seal / Stationary Seal Ring | 'O' Rings | SRU3 | | SRU4 | |
| | | Part No. | Item No. | Part No. | Item No. |
| Stainless Steel / Inserted Carbon | NBR | KU3BB-C10 | 9630856428 | KU4BB-C10 | 9630856452 |
| | EPDM | KU3CC-C11 | 9630856429 | KU4CC-C11 | 9630856453 |
| | FPM | KU3DD-C12 | 9630856430 | KU4DD-C12 | 9630856454 |
| Tungsten Carbide / Inserted Carbon | NBR | KU3BB-C20 | 9630856431 | KU4BB-C20 | 9630856455 |
| | EPDM | KU3CC-C21 | 9630856432 | KU4CC-C21 | 9630856456 |
| | FPM | KU3DD-C22 | 9630856433 | KU4DD-C22 | 9630856457 |
| Tungsten Carbide / Tungsten Carbide | NBR | KU3BB-C40 | 9630856437 | KU4BB-C40 | 9630856461 |
| | EPDM | KU3CC-C41 | 9630856438 | KU4CC-C41 | 9630856462 |
| | FPM | KU3DD-C42 | 9630856439 | KU4DD-C42 | 9630856463 |
| Silicon Carbide / Inserted Carbon | NBR | KU3BB-C30 | 9630856434 | KU4BB-C30 | 9630856458 |
| | EPDM | KU3CC-C31 | 9630856435 | KU4CC-C31 | 9630856459 |
| | FPM | KU3DD-C32 | 9630856436 | KU4DD-C32 | 9630856460 |
| Silicon Carbide / Silicon Carbide | NBR | KU3BB-C50 | 9630856440 | KU4BB-C50 | 9630856464 |
| | EPDM | KU3CC-C51 | 9630856441 | KU4CC-C51 | 9630856465 |
| | FPM | KU3DD-C52 | 9630856442 | KU4DD-C52 | 9630856466 |
| Rotary Seal / Stationary Seal Ring | 'O' Rings | SRU5 | | SRU6 | |
| | | Part No. | Item No. | Part No. | Item No. |
| Stainless Steel / Inserted Carbon | NBR | KU5BB-C10 | 9630856476 | KU6BB-C10 | 9630856500 |
| | EPDM | KU5CC-C11 | 9630856477 | KU6CC-C11 | 9630856501 |
| | FPM | KU5DD-C12 | 9630856478 | KU6DD-C12 | 9630856502 |
| Tungsten Carbide / Inserted Carbon | NBR | KU5BB-C20 | 9630856479 | KU6BB-C20 | 9630856503 |
| | EPDM | KU5CC-C21 | 9630856480 | KU6CC-C21 | 9630856504 |
| | FPM | KU5DD-C22 | 9630856481 | KU6DD-C22 | 9630856505 |
| Tungsten Carbide / Tungsten Carbide | NBR | KU5BB-C40 | 9630856485 | KU6BB-C40 | 9630856509 |
| | EPDM | KU5CC-C41 | 9630856486 | KU6CC-C41 | 9630856510 |
| | FPM | KU5DD-C42 | 9630856487 | KU6DD-C42 | 9630856511 |
| Silicon Carbide / Inserted Carbon | NBR | KU5BB-C30 | 9630856482 | KU6BB-C30 | 9630856506 |
| | EPDM | KU5CC-C31 | 9630856483 | KU6CC-C31 | 9630856507 |
| | FPM | KU5DD-C32 | 9630856484 | KU6DD-C32 | 9630856508 |
| Silicon Carbide / Silicon Carbide | NBR | KU5BB-C50 | 9630856488 | KU6BB-C50 | 9630856512 |
| | EPDM | KU5CC-C51 | 9630856489 | KU6CC-C51 | 9630856513 |
| | FPM | KU5DD-C52 | 9630856490 | KU6DD-C52 | 9630856514 |



CSI

CONTACT CSI FOR MORE INFORMATION | CSIDESIGNS.COM | SALES@CSIDESIGNS.COM | 417.831.1411

| Service Kits (Hyclean Single Mechanical Seals) - SRU Pump Models | | | | | |
|--|-----------|-----------|------------|-----------|------------|
| Each kit comprises of 1 off Cover/Spline Sealing Kit and 2 off complete Mechanical Seals for one pump. | | | | | |
| Rotary Seal / Stationary Seal Ring | 'O' Rings | SRU1 | | SRU2 | |
| | | Part No. | Item No. | Part No. | Item No. |
| Stainless Steel / Carbon | NBR | KU1BB-H01 | 9630856395 | KU2BB-H01 | 9630856419 |
| | EPDM | KU1CC-H05 | 9630856396 | KU2CC-H05 | 9630856420 |
| | FPM | KU1DD-H02 | 9630856397 | KU2DD-H02 | 9630856421 |
| Silicon Carbide / Carbon | NBR | KU1BB-H11 | 9630856398 | KU2BB-H11 | 9630856422 |
| | EPDM | KU1CC-H15 | 9630856399 | KU2CC-H15 | 9630856423 |
| | FPM | KU1DD-H12 | 9630856400 | KU2DD-H12 | 9630856424 |
| Silicon Carbide / Silicon Carbide | NBR | KU1BB-H21 | 9630856401 | KU2BB-H21 | 9630856425 |
| | EPDM | KU1CC-H25 | 9630856402 | KU2CC-H25 | 9630856426 |
| | FPM | KU1DD-H22 | 9630856403 | KU2DD-H22 | 9630856427 |
| Rotary Seal / Stationary Seal Ring | 'O' Rings | SRU3 | | SRU4 | |
| | | Part No. | Item No. | Part No. | Item No. |
| Stainless Steel / Carbon | NBR | KU3BB-H01 | 9630856443 | KU4BB-H01 | 9630856467 |
| | EPDM | KU3CC-H05 | 9630856444 | KU4CC-H05 | 9630856468 |
| | FPM | KU3DD-H02 | 9630856445 | KU4DD-H02 | 9630856469 |
| Silicon Carbide / Carbon | NBR | KU3BB-H11 | 9630856446 | KU4BB-H11 | 9630856470 |
| | EPDM | KU3CC-H15 | 9630856447 | KU4CC-H15 | 9630856471 |
| | FPM | KU3DD-H12 | 9630856448 | KU4DD-H12 | 9630856472 |
| Silicon Carbide / Silicon Carbide | NBR | KU3BB-H21 | 9630856449 | KU4BB-H21 | 9630856473 |
| | EPDM | KU3CC-H25 | 9630856450 | KU4CC-H25 | 9630856474 |
| | FPM | KU3DD-H22 | 9630856451 | KU4DD-H22 | 9630856475 |
| Rotary Seal / Stationary Seal Ring | 'O' Rings | SRU5 | | SRU6 | |
| | | Part No. | Item No. | Part No. | Item No. |
| Stainless Steel / Carbon | NBR | KU5BB-H01 | 9630856491 | KU6BB-H01 | 9630856515 |
| | EPDM | KU5CC-H05 | 9630856492 | KU6CC-H05 | 9630856516 |
| | FPM | KU5DD-H02 | 9630856493 | KU6DD-H02 | 9630856517 |
| Silicon Carbide / Carbon | NBR | KU5BB-H11 | 9630856494 | KU6BB-H11 | 9630856518 |
| | EPDM | KU5CC-H15 | 9630856495 | KU6CC-H15 | 9630856519 |
| | FPM | KU5DD-H12 | 9630856496 | KU6DD-H12 | 9630856520 |
| Silicon Carbide / Silicon Carbide | NBR | KU5BB-H21 | 9630856497 | KU6BB-H21 | 9630856521 |
| | EPDM | KU5CC-H25 | 9630856498 | KU6CC-H25 | 9630856522 |
| | FPM | KU5DD-H22 | 9630856499 | KU6DD-H22 | 9630856523 |



R90 Single Mechanical Seals (Complete) - SRU1 and SRU2 Pump Models

2 seals per pump. It is recommended to replace both sets of seals when wear dictates seal replacement

| Rotary Seal / Stationary Seal Ring | 'O' Rings | SRU1 | | SRU2 | |
|--|-----------|-----------|------------|-----------|------------|
| | | Part No. | Item No. | Part No. | Item No. |
| Stainless Steel / Carbon | NBR | 7400.101N | 9630032046 | 7400.102N | 9630033227 |
| | EPDM | 7400.101E | 9630026348 | 7400.102E | 9630033228 |
| | FPM | 7400.101V | 9630032577 | 7400.102V | 9630032841 |
| | PTFE | 7400.101P | 9630033226 | 7400.102P | 9630033229 |
| Stainless Steel / Inserted Carbon | NBR | 7400.141N | 9630032044 | 7400.142N | 9630033248 |
| | EPDM | 7400.141E | 9630033246 | 7400.142E | 9630033250 |
| | FPM | 7400.141V | 9630033245 | 7400.142V | 9630033249 |
| | PTFE | 7400.141P | 9630033247 | 7400.142P | 9630033251 |
| Tungsten Carbide / Inserted Carbon | NBR | 7400.161N | 9630032048 | 7400.162N | 9630033268 |
| | EPDM | 7400.161E | 9630033274 | 7400.162E | 9630033277 |
| | FPM | 7400.161V | 9630033273 | 7400.162V | 9630033276 |
| | PTFE | 7400.161P | 9630033275 | 7400.162P | 9630033278 |
| Tungsten Carbide / Tungsten Carbide | NBR | 7400.171N | 9630032049 | 7400.172N | 9630032473 |
| | EPDM | 7400.171E | 9630033296 | 7400.172E | 9630033299 |
| | FPM | 7400.171V | 9630033295 | 7400.172V | 9630033298 |
| | PTFE | 7400.171P | 9630033297 | 7400.172P | 9630033300 |
| Silicon Carbide / Inserted Carbon | NBR | 7400.191N | 9630090695 | 7400.192N | 9630090697 |
| | EPDM | 7400.191E | 9630090694 | 7400.192E | 9630090696 |
| | FPM | 7400.191V | 9630069887 | 7400.192V | 9630024870 |
| | PTFE | 7400.191P | 9630071429 | 7400.192P | 9630090698 |
| Silicon Carbide / Silicon Carbide | NBR | 7400.201N | 9630032051 | 7400.202N | 9630022584 |
| | EPDM | 7400.201E | 9630056727 | 7400.202E | 9630060647 |
| | FPM | 7400.201V | 9630035318 | 7400.202V | 9630060084 |
| | PTFE | 7400.201P | 9630090693 | 7400.202P | 9630030257 |

| Description | Qty | SRU1 | | SRU2 | |
|---------------------------|-----|----------|------------|----------|------------|
| | | Part No. | Item No. | Part No. | Item No. |
| Anti-Rotation Pin | 6 | 5180.017 | 9630031424 | 5180.017 | 9630031424 |
| Spacer (over 10 bar only) | 2 | - | - | 5670.070 | 9630028683 |
| Spacer 'O' Ring (FPM) | 2 | - | - | 5380.053 | 9630024181 |

Additional parts to convert pump fitted with above R90 seals to single flushed seals

| Description | Drawing Item No. | Qty | SRU1 | | SRU2 | |
|-----------------------|---------------------|-----|-----------|------------|-----------|------------|
| | | | Part No. | Item No. | Part No. | Item No. |
| Conversion kit - BSPT | - | 1 | 4010.331A | 9630091217 | 4010.332A | 9630091220 |
| Conversion kit - NPT | - | | 4010.331B | 9630091218 | 4010.332B | 9630091221 |

Conversion kits comprising of:-

| | | | | | | |
|-----------------------|-----|---|------------|------------|-----------|------------|
| Gasket | 75 | 1 | 5198.201 | 9630062179 | - | - |
| | | 2 | - | - | 5198.100 | 9630031523 |
| Lip Seal (FPM) | 76 | 2 | 5310.123 | 9630061801 | 5310.124 | 9630061802 |
| Spacer 'O' Ring (FPM) | 77 | 2 | 5380.319 | 9630034859 | 5380.053 | 9630024181 |
| Spacer | 77A | 2 | 5670.109 | 9630033407 | 5670.070 | 9630028683 |
| Housing, BSPT | 79 | 2 | 5265.224AA | 9630028370 | 5265.305A | 9630032706 |
| Housing, NPT | | | 5265.224BA | 9630045526 | 5265.305B | 9630045913 |
| Stud | - | 4 | 6350.112 | 9630033405 | 6350.102 | 9630027474 |
| Washer | - | 4 | 6400.046 | 9630030121 | 6400.036 | 9630024231 |
| Nut, Stud | - | 4 | 5330.007 | 9630024061 | 5330.003 | 9630024057 |



R90 Single Mechanical Seals (Complete) - SRU3 and SRU4 Pump Models

2 seals per pump. It is recommended to replace both sets of seals when wear dictates seal replacement

| Rotary Seal / Stationary Seal Ring | 'O' Rings | SRU3 | | SRU4 | |
|--|-----------|-----------|------------|-----------|------------|
| | | Part No. | Item No. | Part No. | Item No. |
| Stainless Steel / Carbon | NBR | 7400.103N | 9630033230 | 7400.104N | 9630033114 |
| | EPDM | 7400.103E | 9630033231 | 7400.104E | 9630033233 |
| | FPM | 7400.103V | 9630032908 | 7400.104V | 9630032968 |
| | PTFE | 7400.103P | 9630033232 | 7400.104P | 9630033234 |
| Stainless Steel / Inserted Carbon | NBR | 7400.143N | 9630033252 | 7400.144N | 9630033253 |
| | EPDM | 7400.143E | 9630033257 | 7400.144E | 9630033260 |
| | FPM | 7400.143V | 9630033256 | 7400.144V | 9630033259 |
| | PTFE | 7400.143P | 9630033258 | 7400.144P | 9630033261 |
| Tungsten Carbide / Inserted Carbon | NBR | 7400.163N | 9630033269 | 7400.164N | 9630033270 |
| | EPDM | 7400.163E | 9630033280 | 7400.164E | 9630033283 |
| | FPM | 7400.163V | 9630033279 | 7400.164V | 9630033282 |
| | PTFE | 7400.163P | 9630033281 | 7400.164P | 9630033284 |
| Tungsten Carbide / Tungsten Carbide | NBR | 7400.173N | 9630033291 | 7400.174N | 9630033292 |
| | EPDM | 7400.173E | 9630033302 | 7400.174E | 9630033305 |
| | FPM | 7400.173V | 9630033301 | 7400.174V | 9630033304 |
| | PTFE | 7400.173P | 9630033303 | 7400.174P | 9630033306 |
| Silicon Carbide / Inserted Carbon | NBR | 7400.193N | 9630090699 | 7400.194N | 9630042382 |
| | EPDM | 7400.193E | 9630073216 | 7400.194E | 9630087140 |
| | FPM | 7400.193V | 9630090700 | 7400.194V | 9630031835 |
| | PTFE | 7400.193P | 9630090701 | 7400.194P | 9630057619 |
| Silicon Carbide / Silicon Carbide | NBR | 7400.203N | 9630043322 | 7400.204N | 9630090702 |
| | EPDM | 7400.203E | 9630050713 | 7400.204E | 9630061483 |
| | FPM | 7400.203V | 9630035405 | 7400.204V | 9630045054 |
| | PTFE | 7400.203P | 9630073421 | 7400.204P | 9630039376 |

| Description | Qty | SRU3 | | SRU4 | |
|---------------------------|-----|----------|------------|----------|------------|
| | | Part No. | Item No. | Part No. | Item No. |
| Anti-Rotation Pin | 6 | 5180.017 | 9630031424 | 5180.016 | 9630031422 |
| Spacer (over 10 bar only) | 2 | 5670.108 | 9630033143 | 5670.074 | 9630028655 |
| Spacer 'O' Ring (FPM) | 2 | 5380.019 | 9630024118 | 5380.275 | 9630026743 |

Additional parts to convert pump fitted with above R90 seals to single flushed seals

| Description | Drawing Item No. | Qty | SRU3 | | SRU4 | |
|-----------------------|---------------------|-----|-----------|------------|-----------|------------|
| | | | Part No. | Item No. | Part No. | Item No. |
| Conversion kit - BSPT | - | 1 | 4010.333A | 9630091222 | 4010.334A | 9630091224 |
| Conversion kit - NPT | - | | 4010.333B | 9630091223 | 4010.334B | 9630091225 |

Conversion kits comprising of:-

| | | | | | | |
|-----------------------|-----|---|-----------|------------|-----------|------------|
| Gasket | 75 | 2 | 5198.101 | 9630031471 | 5198.102 | 9630031351 |
| Lip Seal (FPM) | 76 | 2 | 5310.125 | 9630061803 | 5310.126 | 9630061804 |
| Spacer 'O' Ring (FPM) | 77 | 2 | 5380.019 | 9630024118 | 5380.275 | 9630027643 |
| Spacer | 77A | 2 | 5670.108 | 9630033143 | 5670.074 | 9630028655 |
| Housing, BSPT | 79 | 2 | 5265.306A | 9630039927 | 5265.307A | 9630032692 |
| Housing, NPT | | | 5265.306B | 9630046010 | 5265.307B | 9630045824 |
| Stud | | 4 | 6350.102 | 9630027474 | - | - |
| Washer | | 4 | 6400.036 | 9630024231 | - | - |
| Nut, Stud | | 4 | 5330.003 | 9630024057 | - | - |
| Screw | | 4 | - | - | 5990.078 | 9630060520 |



R90 Single Mechanical Seals (Complete) - SRU5 and SRU6 Pump Models

2 seals per pump. It is recommended to replace both sets of seals when wear dictates seal replacement

| Rotary Seal / Stationary Seal Ring | 'O' Rings | SRU5 | | SRU6 | |
|--|-----------|-----------|------------|-----------|------------|
| | | Part No. | Item No. | Part No. | Item No. |
| Stainless Steel / Carbon | NBR | 7400.105N | 9630033117 | 7400.106N | 9630033237 |
| | EPDM | 7400.105E | 9630033235 | 7400.106E | 9630033239 |
| | FPM | 7400.105V | 9630033118 | 7400.106V | 9630033238 |
| | PTFE | 7400.105P | 9630033236 | 7400.106P | 9630033240 |
| Stainless Steel / Inserted Carbon | NBR | 7400.145N | 9630033254 | 7400.146N | 9630033255 |
| | EPDM | 7400.145E | 9630033263 | 7400.146E | 9630033266 |
| | FPM | 7400.145V | 9630033262 | 7400.146V | 9630033265 |
| | PTFE | 7400.145P | 9630033264 | 7400.146P | 9630033267 |
| Tungsten Carbide / Inserted Carbon | NBR | 7400.165N | 9630033271 | 7400.166N | 9630033272 |
| | EPDM | 7400.165E | 9630033286 | 7400.166E | 9630033289 |
| | FPM | 7400.165V | 9630033285 | 7400.166V | 9630033288 |
| | PTFE | 7400.165P | 9630033287 | 7400.166P | 9630033290 |
| Tungsten Carbide / Tungsten Carbide | NBR | 7400.175N | 9630033293 | 7400.176N | 9630033294 |
| | EPDM | 7400.175E | 9630033308 | 7400.176E | 9630033311 |
| | FPM | 7400.175V | 9630033307 | 7400.176V | 9630033310 |
| | PTFE | 7400.175P | 9630033309 | 7400.176P | 9630033312 |
| Silicon Carbide / Inserted Carbon | NBR | 7400.195N | 9630087180 | 7400.196N | 9630090707 |
| | EPDM | 7400.195E | 9630090703 | 7400.196E | 9630032866 |
| | FPM | 7400.195V | 9630090704 | 7400.196V | 9630028988 |
| | PTFE | 7400.195P | 9630085989 | 7400.196P | 9630069377 |
| Silicon Carbide / Silicon Carbide | NBR | 7400.205N | 9630062756 | 7400.206N | 9630090705 |
| | EPDM | 7400.205E | 9630057537 | 7400.206E | 9630077819 |
| | FPM | 7400.205V | 9630045055 | 7400.206V | 9630032232 |
| | PTFE | 7400.205P | 9630045555 | 7400.206P | 9630090706 |

| Description | Qty | SRU5 | | SRU6 | |
|---------------------------|-----|----------|------------|----------|------------|
| | | Part No. | Item No. | Part No. | Item No. |
| Anti-Rotation Pin | 6 | 5180.016 | 9630031422 | 5180.015 | 9630029653 |
| Spacer (over 10 bar only) | 2 | 5670.076 | 9630028628 | 5670.078 | 9630028608 |
| Spacer 'O' Ring (FPM) | 2 | 5380.077 | 9630024194 | 5380.158 | 9630024289 |

Additional parts to convert pump fitted with above R90 seals to single flushed seals

| Description | Drawing Item No. | Qty | SRU5 | | SRU6 | |
|-----------------------|---------------------|-----|-----------|------------|-----------|------------|
| | | | Part No. | Item No. | Part No. | Item No. |
| Conversion kit - BSPT | - | 1 | 4010.335A | 9630091227 | 4010.336A | 9630091229 |
| Conversion kit - NPT | - | | 4010.335B | 9630091228 | 4010.336B | 9630091230 |

Conversion kits comprising of:-

| | | | | | | |
|-----------------------|-----|---|-----------|------------|-----------|------------|
| Gasket | 75 | 2 | 5198.103 | 9630031077 | 5198.104 | 9630030911 |
| Lip Seal (FPM) | 76 | 2 | 5310.127 | 9630061805 | 5310.128 | 9630061806 |
| Spacer 'O' Ring (FPM) | 77 | 2 | 5380.077 | 9630024194 | 5380.158 | 9630024289 |
| Spacer | 77A | 2 | 5670.076 | 9630028628 | 5670.078 | 9630028608 |
| Housing, BSPT | 79 | 2 | 5265.308A | 9630022756 | 5265.309A | 9630032590 |
| Housing, NPT | | | 5265.308B | 9630045839 | 5265.309B | 9630046167 |
| Stud | | 4 | 6350.104 | 9630019863 | 6350.105 | 9630027485 |
| Washer | | 4 | 6400.037 | 9630024233 | 6400.037 | 9630024233 |
| Nut, Stud | | 4 | 5330.000 | 9630024051 | 5330.000 | 9630024051 |



R90 Single Mechanical Seals (Parts) - SRU1 to SRU4 Pump Models

| Drg No. | Description | Material | Qty | SRU1 | | SRU2 | |
|--|-------------------------------|------------------|-----|-----------|------------|-----------|------------|
| | | | | Part No | Item No | Part No | Item No |
| 71 | Stationary Seal Ring 'O' Ring | NBR | 2 | 5380.214 | 9630028449 | 5380.222 | 9630027299 |
| | | EPDM | | 5380.218 | 9630027782 | 5380.226 | 9630028377 |
| | | FPM | | 5380.216 | 9630028447 | 5380.224 | 9630028379 |
| | | PTFE | | 5380.220 | 9630019763 | 5380.228 | 9630028374 |
| 72 | Stationary Seal Ring | Solid Carbon | 2 | R5630.066 | 9630026215 | R5630.067 | 9630026164 |
| | | Inserted Carbon | | R5630.060 | 9630025257 | R5630.061 | 9630025258 |
| | | Tungsten Carbide | | R5630.072 | 9630029728 | R5630.073 | 9630026168 |
| | | Silicon Carbide | | R5630.078 | 9630026003 | R5630.079 | 9630044552 |
| 73 | Rotary Seal Ring 'O' Ring | NBR | 2 | 5380.213 | 9630028460 | 5380.221 | 9630027301 |
| | | EPDM | | 5380.217 | 9630028446 | 5380.225 | 9630028378 |
| | | FPM | | 5380.215 | 9630028448 | 5380.223 | 9630028380 |
| | | PTFE | | 5380.219 | 9630028382 | 5380.227 | 9630028375 |
| 74 | Rotary Seal Assembly | Stainless Steel | 2 | R7400.121 | 9630030218 | R7400.122 | 9630030219 |
| | | Tungsten Carbide | | R7400.131 | 9630026464 | R7400.132 | 9630026570 |
| | | Silicon Carbide | | R7400.181 | 9630027025 | R7400.182 | 9630027024 |
| Note: Rotary Seal Assembly (74) comprises of rotary seal ring, washer (98), wave spring (99), drive ring (100) and grub screw (78) | | | | | | | |
| 78 | Grub Screw | | 6 | 6010.012 | 9630030298 | 6010.012 | 9630030298 |
| 98 | Washer | | 2 | R6400.061 | 9630045430 | R6400.062 | 9630045431 |
| 99 | Wave Spring (see note 1) | | 2 | R6300.031 | 9630026769 | R6300.032 | 9630026770 |

| Drg No. | Description | Material | Qty | SRU3 | | SRU4 | |
|--|-------------------------------|------------------|-----|-----------|------------|-----------|------------|
| | | | | Part No | Item No | Part No | Item No |
| 71 | Stationary Seal Ring 'O' Ring | NBR | 2 | 5380.230 | 9630028368 | 5380.238 | 9630028260 |
| | | EPDM | | 5380.234 | 9630028321 | 5380.242 | 9630025642 |
| | | FPM | | 5380.232 | 9630028357 | 5380.240 | 9630027472 |
| | | PTFE | | 5380.236 | 9630028266 | 5380.244 | 9630026096 |
| 72 | Stationary Seal Ring | Solid Carbon | 2 | R5630.068 | 9630026163 | R5630.069 | 9630017815 |
| | | Inserted Carbon | | R5630.062 | 9630026162 | R5630.063 | 9630035092 |
| | | Tungsten Carbide | | R5630.074 | 9630017810 | R5630.075 | 9630026167 |
| | | Silicon Carbide | | R5630.080 | 9630027021 | R5630.081 | 9630027020 |
| 73 | Rotary Seal Ring 'O' Ring | NBR | 2 | 5380.149 | 9630024280 | 5380.237 | 9630028263 |
| | | EPDM | | 5380.093 | 9630024206 | 5380.241 | 9630025646 |
| | | FPM | | 5380.101 | 9630024214 | 5380.239 | 9630021115 |
| | | PTFE | | 5380.123 | 9630024254 | 5380.243 | 9630026094 |
| 74 | Rotary Seal Assembly | Stainless Steel | 2 | R7400.123 | 9630026877 | R7400.124 | 9630026882 |
| | | Tungsten Carbide | | R7400.133 | 9630026569 | R7400.134 | 9630026585 |
| | | Silicon Carbide | | R7400.183 | 9630027023 | R7400.184 | 9630045909 |
| Note: Rotary Seal Assembly (74) comprises of rotary seal ring, washer (98), wave spring (99), drive ring (100) and grub screw (78) | | | | | | | |
| 78 | Grub Screw | | 6 | 6010.012 | 9630030298 | 6010.013 | 9630030299 |
| 98 | Washer | | 2 | R6400.063 | 9630045432 | R6400.064 | 9630045433 |
| 99 | Wave Spring (see note 1) | | 2 | R6300.033 | 9630022957 | R6300.034 | 9630026228 |

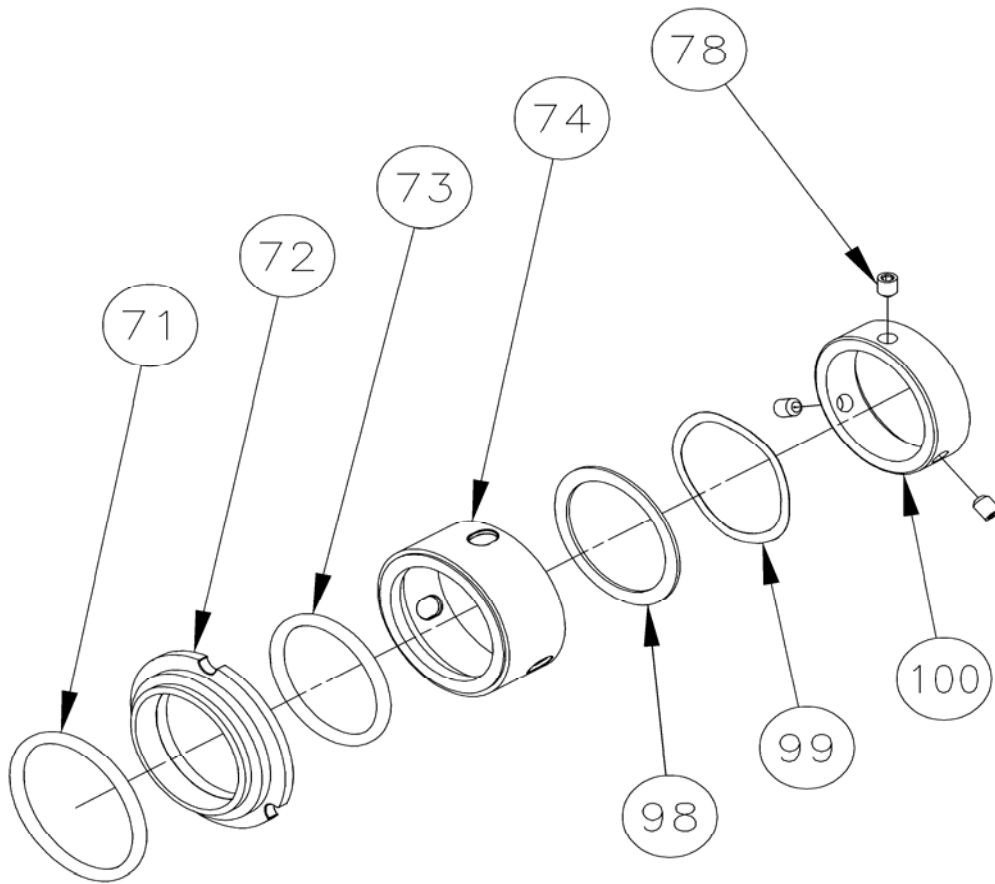
Note 1. If PTFE 'O' Rings are fitted it is necessary to use double wave springs i.e. Qty 4.



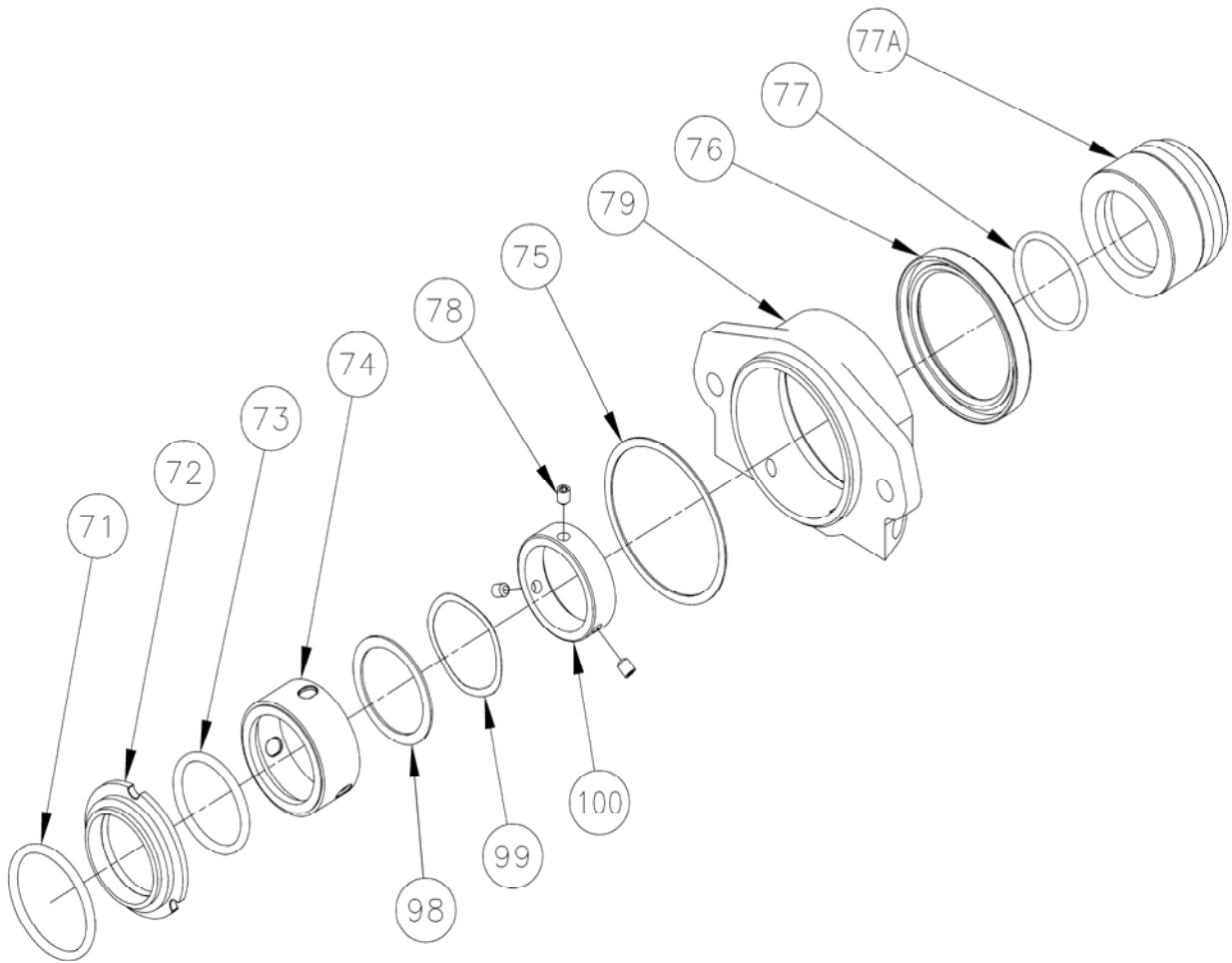
| R90 Single Mechanical Seals (Parts) - SRU5 and SRU6 Pump Models | | | | | | | |
|--|-------------------------------|------------------|-----|-----------|------------|-----------|------------|
| Drg No. | Description | Material | Qty | SRU5 | | SRU6 | |
| | | | | Part No | Item No | Part No | Item No |
| 71 | Stationary Seal Ring 'O' Ring | NBR | 2 | 5380.246 | 9630025417 | 5380.254 | 9630027486 |
| | | EPDM | | 5380.250 | 9630025437 | 5380.258 | 9630029893 |
| | | FPM | | 5380.248 | 9630025398 | 5380.256 | 9630029897 |
| | | PTFE | | 5380.252 | 9630025846 | 5380.260 | 9630029885 |
| 72 | Stationary Seal Ring | Solid Carbon | 2 | R5630.070 | 9630026196 | R5630.071 | 9630029729 |
| | | Inserted Carbon | | R5630.064 | 9630026207 | R5630.065 | 9630026165 |
| | | Tungsten Carbide | | R5630.076 | 9630026219 | R5630.077 | 9630026193 |
| | | Silicon Carbide | | R5630.082 | 9630044328 | R5630.083 | 9630027019 |
| 73 | Rotary Seal Ring 'O' Ring | NBR | 2 | 5380.245 | 9630026648 | 5380.253 | 9630026625 |
| | | EPDM | | 5380.249 | 9630025314 | 5380.257 | 9630029896 |
| | | FPM | | 5380.247 | 9630025438 | 5380.255 | 9630026693 |
| | | PTFE | | 5380.251 | 9630026704 | 5380.259 | 9630029889 |
| 74 | Rotary Seal Assembly | Stainless Steel | 2 | R7400.125 | 9630026172 | R7400.126 | 9630026449 |
| | | Tungsten Carbide | | R7400.135 | 9630026584 | R7400.136 | 9630022294 |
| | | Silicon Carbide | | R7400.185 | 9630027022 | R7400.186 | 9630046520 |
| Note: Rotary Seal Assembly (74) comprises of rotary seal ring, washer (98), wave spring (99), drive ring (100) and grub screw (78) | | | | | | | |
| 78 | Grub Screw | | 6 | 6010.032 | 9630027891 | 6010.030 | 9630034730 |
| 98 | Washer | | 2 | R6400.065 | 9630045434 | R6400.066 | 9630045435 |
| 99 | Wave Spring (see note 1) | | 2 | R6300.035 | 9630026208 | - | - |
| | Coil Spring | | 12 | - | - | R6300.036 | 9630026227 |

Note 1. If PTFE 'O' Rings are fitted it is necessary to use double wave springs i.e. Qty 4.

R90 Single Mechanical Seal - Exploded View Drawing



R90 Single Flushed Mechanical Seal - Exploded View Drawing



R90 Double Mechanical Seals (Complete) - SRU1 Pump Models

2 seals per pump. It is recommended to replace both sets of seals when wear dictates seal replacement.

| Inboard Seal | Outboard Seal | Inboard Seal 'O' Ring | Outboard Seal 'O' Ring | SRU1 | |
|-------------------------------------|-------------------------------------|-----------------------|------------------------|----------------|------------|
| | | | | Part No. | Item No. |
| Stainless Steel / Carbon | Stainless Steel / Carbon | NBR | NBR | 7400.101N/101N | 9630043289 |
| | | EPDM | EPDM | 7400.101E/101E | 9630028617 |
| | | FPM | FPM | 7400.101V/101V | |
| | | PTFE | PTFE | 7400.101P/101P | |
| | | PTFE | NBR | 7400.101P/101N | 9630042850 |
| | | PTFE | EPDM | 7400.101P/101E | |
| Stainless Steel / Inserted Carbon | Stainless Steel / Inserted Carbon | NBR | NBR | 7400.141N/141N | 9630056927 |
| | | EPDM | EPDM | 7400.141E/141E | |
| | | FPM | FPM | 7400.141V/141V | |
| | | PTFE | PTFE | 7400.141P/141P | |
| | | PTFE | NBR | 7400.141P/141N | |
| | | PTFE | EPDM | 7400.141P/141E | |
| Tungsten Carbide / Tungsten Carbide | Stainless Steel / Carbon | NBR | NBR | 7400.171N/101N | 9630034043 |
| | | EPDM | EPDM | 7400.171E/101E | 9630041636 |
| | | FPM | FPM | 7400.171V/101V | |
| | | PTFE | PTFE | 7400.171P/101P | |
| | | PTFE | NBR | 7400.171P/101N | 9630025112 |
| | | PTFE | EPDM | 7400.171P/101E | |
| Tungsten Carbide / Tungsten Carbide | Tungsten Carbide / Tungsten Carbide | NBR | NBR | 7400.171N/171N | 9630040458 |
| | | EPDM | EPDM | 7400.171E/171E | 9630044855 |
| | | FPM | FPM | 7400.171V/171V | |
| | | PTFE | PTFE | 7400.171P/171P | |
| | | PTFE | NBR | 7400.171P/171N | |
| | | PTFE | EPDM | 7400.171P/171E | |
| Silicon Carbide / Silicon Carbide | Stainless Steel / Carbon | NBR | NBR | 7400.201N/101N | |
| | | EPDM | EPDM | 7400.201E/101E | |
| | | FPM | FPM | 7400.201V/101V | |
| | | PTFE | PTFE | 7400.201P/101P | |
| | | PTFE | NBR | 7400.201P/101N | |
| | | PTFE | EPDM | 7400.201P/101E | |
| Silicon Carbide / Silicon Carbide | Silicon Carbide / Silicon Carbide | NBR | NBR | 7400.201N/201N | 9630026649 |
| | | EPDM | EPDM | 7400.201E/201E | |
| | | FPM | FPM | 7400.201V/201V | |
| | | PTFE | PTFE | 7400.201P/201P | |
| | | PTFE | NBR | 7400.201P/201N | |
| | | PTFE | EPDM | 7400.201P/201E | |

Note: Above are listed the most common seal ring / 'O' ring combinations - for other combinations see p.49.

| Description | Drg No. | Qty | SRU1 | |
|---------------|---------|-----|------------|------------|
| | | | Part No. | Item No. |
| Gasket | 75 | 1 | 5198.201 | 9630062179 |
| Housing, BSPT | 79 | 2 | 5265.221AA | 9630040244 |
| Housing, NPT | | | 5265.221BA | 9630029155 |
| Elbow, BSPT | - | 4 | 5192.050A | 9630034032 |
| Elbow, NPT | | | 5192.050B | 9630034033 |
| Stud | - | 4 | 6350.112 | 9630033404 |
| Nut, Stud | - | 4 | 5330.007 | 9630024061 |

Note: Elbows only required on horizontally ported pumps with flanged connections.

R90 Double Mechanical Seals (Complete) - SRU2 Pump Models

2 seals per pump. It is recommended to replace both sets of seals when wear dictates seal replacement.

| Inboard Seal Rotary Seal / Stationary Seal Ring | Outboard Seal Rotary Seal / Stationary Seal Ring | Inboard Seal 'O' Ring | Outboard Seal 'O' Ring | SRU2 | |
|---|--|-----------------------------|------------------------------|----------------|------------|
| | | | | Part No. | Item No. |
| Stainless Steel / Carbon | Stainless Steel / Carbon | NBR | NBR | 7400.102N/102N | 9630034680 |
| | | EPDM | EPDM | 7400.102E/102E | 9630044938 |
| | | FPM | FPM | 7400.102V/102V | 9630034198 |
| | | PTFE | PTFE | 7400.102P/102P | 9630058326 |
| | | PTFE | NBR | 7400.102P/102N | 9630045689 |
| | | PTFE | EPDM | 7400.102P/102E | |
| | | PTFE | FPM | 7400.102P/102V | 9630049526 |
| Stainless Steel / Inserted Carbon | Stainless Steel / Inserted Carbon | NBR | NBR | 7400.142N/142N | 9630037819 |
| | | EPDM | EPDM | 7400.142E/142E | 9630099017 |
| | | FPM | FPM | 7400.142V/142V | 9630094530 |
| | | PTFE | PTFE | 7400.142P/142P | 9630035263 |
| | | PTFE | NBR | 7400.142P/142N | |
| | | PTFE | EPDM | 7400.142P/142E | 9630092088 |
| | | PTFE | FPM | 7400.142P/142V | |
| Tungsten Carbide / Tungsten Carbide | Stainless Steel / Carbon | NBR | NBR | 7400.172N/102N | 9630040399 |
| | | EPDM | EPDM | 7400.172E/102E | 9630041786 |
| | | FPM | FPM | 7400.172V/102V | 9630034946 |
| | | PTFE | PTFE | 7400.172P/102P | 9630039321 |
| | | PTFE | NBR | 7400.172P/102N | 9630033456 |
| | | PTFE | EPDM | 7400.172P/102E | |
| | | PTFE | FPM | 7400.172P/102V | 9630025526 |
| Tungsten Carbide / Tungsten Carbide | Tungsten Carbide / Tungsten Carbide | NBR | NBR | 7400.172N/172N | 9630056098 |
| | | EPDM | EPDM | 7400.172E/172E | 9630035369 |
| | | FPM | FPM | 7400.172V/172V | 9630035299 |
| | | PTFE | PTFE | 7400.172P/172P | 9630052091 |
| | | PTFE | NBR | 7400.172P/172N | |
| | | PTFE | EPDM | 7400.172P/172E | |
| | | PTFE | FPM | 7400.172P/172V | |
| Silicon Carbide / Silicon Carbide | Stainless Steel / Carbon | NBR | NBR | 7400.202N/102N | 9630040268 |
| | | EPDM | EPDM | 7400.202E/102E | |
| | | FPM | FPM | 7400.202V/102V | |
| | | PTFE | PTFE | 7400.202P/102P | |
| | | PTFE | NBR | 7400.202P/102N | |
| | | PTFE | EPDM | 7400.202P/102E | |
| | | PTFE | FPM | 7400.202P/102V | |
| Silicon Carbide / Silicon Carbide | Silicon Carbide / Silicon Carbide | NBR | NBR | 7400.202N/202N | 9630051630 |
| | | EPDM | EPDM | 7400.202E/202E | |
| | | FPM | FPM | 7400.202V/202V | |
| | | PTFE | PTFE | 7400.202P/202P | |
| | | PTFE | NBR | 7400.202P/202N | |
| | | PTFE | EPDM | 7400.202P/202E | |
| | | PTFE | FPM | 7400.202P/202V | |

Note: Above are listed the most common seal ring / 'O' ring combinations - for other combinations see p.49.

| Description | Drg No. | Qty | SRU2 | |
|---------------|---------|-----|-----------|------------|
| | | | Part No. | Item No. |
| Gasket | 75 | 2 | 5198.100 | 9630031523 |
| Housing, BSPT | 79 | 2 | 5265.325A | 9630040952 |
| Housing, NPT | | | 5265.325B | 9630038226 |
| Elbow, BSPT | - | 4 | 5192.050A | 9630034032 |
| Elbow, NPT | | | 5192.050B | 9630034033 |
| Stud | - | 4 | 6350.103 | 9630027364 |
| Nut, Stud | - | 4 | 5330.003 | 9630024057 |

Note: Elbows only required on horizontally ported pumps with flanged connections.

R90 Double Mechanical Seals (Complete) - SRU3 Pump Models

2 seals per pump. It is recommended to replace both sets of seals when wear dictates seal replacement.

| Inboard Seal | Outboard Seal | Inboard Seal 'O' Ring | Outboard Seal 'O' Ring | SRU3 | |
|-------------------------------------|-------------------------------------|-----------------------|------------------------|----------------|------------|
| | | | | Part No. | Item No. |
| Rotary Seal / Stationary Seal Ring | Rotary Seal / Stationary Seal Ring | | | | |
| Stainless Steel / Carbon | Stainless Steel / Carbon | NBR | NBR | 7400.103N/103N | 9630032602 |
| | | EPDM | EPDM | 7400.103E/103E | 9630046017 |
| | | FPM | FPM | 7400.103V/103V | 9630032969 |
| | | PTFE | PTFE | 7400.103P/103P | 9630036747 |
| | | PTFE | NBR | 7400.103P/103N | 9630040110 |
| | | PTFE | EPDM | 7400.103P/103E | |
| | | PTFE | FPM | 7400.103P/103V | 9630043245 |
| Stainless Steel / Inserted Carbon | Stainless Steel / Inserted Carbon | NBR | NBR | 7400.143N/143N | 9630039276 |
| | | EPDM | EPDM | 7400.143E/143E | |
| | | FPM | FPM | 7400.143V/143V | |
| | | PTFE | PTFE | 7400.143P/143P | 9630043303 |
| | | PTFE | NBR | 7400.143P/143N | |
| | | PTFE | EPDM | 7400.143P/143E | |
| | | PTFE | FPM | 7400.143P/143V | |
| Tungsten Carbide / Tungsten Carbide | Stainless Steel / Carbon | NBR | NBR | 7400.173N/103N | 9630037420 |
| | | EPDM | EPDM | 7400.173E/103E | 9630028328 |
| | | FPM | FPM | 7400.173V/103V | 9630025967 |
| | | PTFE | PTFE | 7400.173P/103P | 9630051218 |
| | | PTFE | NBR | 7400.173P/103N | |
| | | PTFE | EPDM | 7400.173P/103E | |
| | | PTFE | FPM | 7400.173P/103V | 9630080288 |
| Tungsten Carbide / Tungsten Carbide | Tungsten Carbide / Tungsten Carbide | NBR | NBR | 7400.173N/173N | |
| | | EPDM | EPDM | 7400.173E/173E | 9630067827 |
| | | FPM | FPM | 7400.173V/173V | 9630049354 |
| | | PTFE | PTFE | 7400.173P/173P | 9630091612 |
| | | PTFE | NBR | 7400.173P/173N | |
| | | PTFE | EPDM | 7400.173P/173E | |
| | | PTFE | FPM | 7400.173P/173V | |
| Silicon Carbide / Silicon Carbide | Stainless Steel / Carbon | NBR | NBR | 7400.203N/103N | |
| | | EPDM | EPDM | 7400.203E/103E | |
| | | FPM | FPM | 7400.203V/103V | 9630061788 |
| | | PTFE | PTFE | 7400.203P/103P | |
| | | PTFE | NBR | 7400.203P/103N | |
| | | PTFE | EPDM | 7400.203P/103E | |
| | | PTFE | FPM | 7400.203P/103V | |
| Silicon Carbide / Silicon Carbide | Silicon Carbide / Silicon Carbide | NBR | NBR | 7400.203N/203N | |
| | | EPDM | EPDM | 7400.203E/203E | |
| | | FPM | FPM | 7400.203V/203V | 9630061482 |
| | | PTFE | PTFE | 7400.203P/203P | 9630051631 |
| | | PTFE | NBR | 7400.203P/203N | |
| | | PTFE | EPDM | 7400.203P/203E | |
| | | PTFE | FPM | 7400.203P/203V | |

Note: Above are listed the most common seal ring / 'O' ring combinations - for other combinations see p.49.

| Description | Drg No. | Qty | SRU3 | |
|---------------|---------|-----|-----------|------------|
| | | | Part No. | Item No. |
| Gasket | 75 | 2 | 5198.101 | 9630031471 |
| Housing, BSPT | 79 | 2 | 5265.326A | 9630032543 |
| Housing, NPT | | | 5265.326B | 9630046719 |
| Elbow, BSPT | - | 4 | 5192.050A | 9630034032 |
| Elbow, NPT | | | 5192.050B | 9630034033 |
| Stud | - | 4 | 6350.103 | 9630027364 |
| Nut, Stud | - | 4 | 5330.003 | 9630024057 |

Note: Elbows only required on horizontally ported pumps with flanged connections.

R90 Double Mechanical Seals (Complete) - SRU4 Pump Models

2 seals per pump. It is recommended to replace both sets of seals when wear dictates seal replacement.

| Inboard Seal | Outboard Seal | Inboard Seal 'O' Ring | Outboard Seal 'O' Ring | SRU4 | |
|-------------------------------------|-------------------------------------|-----------------------|------------------------|----------------|------------|
| | | | | Part No. | Item No. |
| Rotary Seal / Stationary Seal Ring | Rotary Seal / Stationary Seal Ring | | | | |
| Stainless Steel / Carbon | Stainless Steel / Carbon | NBR | NBR | 7400.104N/104N | 9630033040 |
| | | EPDM | EPDM | 7400.104E/104E | 9630029604 |
| | | FPM | FPM | 7400.104V/104V | 9630032970 |
| | | PTFE | PTFE | 7400.104P/104P | 9630034370 |
| | | PTFE | NBR | 7400.104P/104N | |
| | | PTFE | EPDM | 7400.104P/104E | |
| | | PTFE | FPM | 7400.104P/104V | 9630022782 |
| Stainless Steel / Inserted Carbon | Stainless Steel / Inserted Carbon | NBR | NBR | 7400.144N/144N | 9630039738 |
| | | EPDM | EPDM | 7400.144E/144E | |
| | | FPM | FPM | 7400.144V/144V | 9630044147 |
| | | PTFE | PTFE | 7400.144P/144P | 9630057429 |
| | | PTFE | NBR | 7400.144P/144N | |
| | | PTFE | EPDM | 7400.144P/144E | |
| | | PTFE | FPM | 7400.144P/144V | |
| Tungsten Carbide / Tungsten Carbide | Stainless Steel / Carbon | NBR | NBR | 7400.174N/104N | 9630037201 |
| | | EPDM | EPDM | 7400.174E/104E | 9630039271 |
| | | FPM | FPM | 7400.174V/104V | 9630020899 |
| | | PTFE | PTFE | 7400.174P/104P | 9630042973 |
| | | PTFE | NBR | 7400.174P/104N | |
| | | PTFE | EPDM | 7400.174P/104E | |
| | | PTFE | FPM | 7400.174P/104V | 9630022459 |
| Tungsten Carbide / Tungsten Carbide | Tungsten Carbide / Tungsten Carbide | NBR | NBR | 7400.174N/174N | 9630066039 |
| | | EPDM | EPDM | 7400.174E/174E | 9630061973 |
| | | FPM | FPM | 7400.174V/174V | 9630050779 |
| | | PTFE | PTFE | 7400.174P/174P | 9630060209 |
| | | PTFE | NBR | 7400.174P/174N | |
| | | PTFE | EPDM | 7400.174P/174E | |
| | | PTFE | FPM | 7400.174P/174V | |
| Silicon Carbide / Silicon Carbide | Stainless Steel / Carbon | NBR | NBR | 7400.204N/104N | 9630097660 |
| | | EPDM | EPDM | 7400.204E/104E | 9630085532 |
| | | FPM | FPM | 7400.204V/104V | |
| | | PTFE | PTFE | 7400.204P/104P | |
| | | PTFE | NBR | 7400.204P/104N | |
| | | PTFE | EPDM | 7400.204P/104E | |
| | | PTFE | FPM | 7400.204P/104V | |
| Silicon Carbide / Silicon Carbide | Silicon Carbide / Silicon Carbide | NBR | NBR | 7400.204N/204N | |
| | | EPDM | EPDM | 7400.204E/204E | |
| | | FPM | FPM | 7400.204V/204V | |
| | | PTFE | PTFE | 7400.204P/204P | |
| | | PTFE | NBR | 7400.204P/204N | |
| | | PTFE | EPDM | 7400.204P/204E | |
| | | PTFE | FPM | 7400.204P/204V | |

Note: Above are listed the most common seal ring / 'O' ring combinations - for other combinations see p.49.

| Description | Drg No. | Qty | SRU4 | |
|---------------|---------|-----|-----------|------------|
| | | | Part No. | Item No. |
| Gasket | 75 | 2 | 5198.102 | 9630031351 |
| Housing, BSPT | 79 | 2 | 5265.327A | 9630023635 |
| Housing, NPT | | | 5265.327B | 9630045904 |
| Elbow, BSPT | - | 4 | 5192.050A | 9630034032 |
| Elbow, NPT | | | 5192.050B | 9630034033 |
| Stud | - | 4 | 6350.111 | 9630025823 |
| Nut, Stud | - | 4 | 5330.000 | 9630024051 |

Note: Elbows only required on horizontally ported pumps with flanged connections.

R90 Double Mechanical Seals (Complete) - SRU5 Pump Models

2 seals per pump. It is recommended to replace both sets of seals when wear dictates seal replacement.

| Inboard Seal Rotary Seal / Stationary Seal Ring | Outboard Seal Rotary Seal / Stationary Seal Ring | Inboard Seal 'O' Ring | Outboard Seal 'O' Ring | SRU5 | |
|---|--|-----------------------------|------------------------------|----------------|------------|
| | | | | Part No. | Item No. |
| Stainless Steel / Carbon | Stainless Steel / Carbon | NBR | NBR | 7400.105N/105N | 9630039093 |
| | | EPDM | EPDM | 7400.105E/105E | 9630046016 |
| | | FPM | FPM | 7400.105V/105V | 9630042534 |
| | | PTFE | PTFE | 7400.105P/105P | 9630056839 |
| | | PTFE | NBR | 7400.105P/105N | |
| | | PTFE | EPDM | 7400.105P/105E | |
| | | PTFE | FPM | 7400.105P/105V | |
| Stainless Steel / Inserted Carbon | Stainless Steel / Inserted Carbon | NBR | NBR | 7400.145N/145N | 9630039757 |
| | | EPDM | EPDM | 7400.145E/145E | 9630054831 |
| | | FPM | FPM | 7400.145V/145V | 9630091324 |
| | | PTFE | PTFE | 7400.145P/145P | |
| | | PTFE | NBR | 7400.145P/145N | |
| | | PTFE | EPDM | 7400.145P/145E | |
| | | PTFE | FPM | 7400.145P/145V | |
| Tungsten Carbide / Tungsten Carbide | Stainless Steel / Carbon | NBR | NBR | 7400.175N/105N | 9630039760 |
| | | EPDM | EPDM | 7400.175E/105E | 9630040624 |
| | | FPM | FPM | 7400.175V/105V | 9630020927 |
| | | PTFE | PTFE | 7400.175P/105P | 9630045112 |
| | | PTFE | NBR | 7400.175P/105N | |
| | | PTFE | EPDM | 7400.175P/105E | |
| | | PTFE | FPM | 7400.175P/105V | 9630045614 |
| Tungsten Carbide / Tungsten Carbide | Tungsten Carbide / Tungsten Carbide | NBR | NBR | 7400.175N/175N | |
| | | EPDM | EPDM | 7400.175E/175E | 9630061989 |
| | | FPM | FPM | 7400.175V/175V | 9630048424 |
| | | PTFE | PTFE | 7400.175P/175P | 9630065194 |
| | | PTFE | NBR | 7400.175P/175N | |
| | | PTFE | EPDM | 7400.175P/175E | |
| | | PTFE | FPM | 7400.175P/175V | |
| Silicon Carbide / Silicon Carbide | Stainless Steel / Carbon | NBR | NBR | 7400.205N/105N | |
| | | EPDM | EPDM | 7400.205E/105E | 9630050392 |
| | | FPM | FPM | 7400.205V/105V | |
| | | PTFE | PTFE | 7400.205P/105P | |
| | | PTFE | NBR | 7400.205P/105N | |
| | | PTFE | EPDM | 7400.205P/105E | |
| | | PTFE | FPM | 7400.205P/105V | |
| Silicon Carbide / Silicon Carbide | Silicon Carbide / Silicon Carbide | NBR | NBR | 7400.205N/205N | |
| | | EPDM | EPDM | 7400.205E/205E | 9630096517 |
| | | FPM | FPM | 7400.205V/205V | 9630097136 |
| | | PTFE | PTFE | 7400.205P/205P | 9630051629 |
| | | PTFE | NBR | 7400.205P/205N | |
| | | PTFE | EPDM | 7400.205P/205E | |
| | | PTFE | FPM | 7400.205P/205V | |

Note: Above are listed the most common seal ring / 'O' ring combinations - for other combinations see p.49.

| Description | Drg No. | Qty | SRU5 | |
|---------------|---------|-----|-----------|------------|
| | | | Part No. | Item No. |
| Gasket | 75 | 2 | 5198.103 | 9630031077 |
| Housing, BSPT | 79 | 2 | 5265.328A | 9630040950 |
| Housing, NPT | | | 5265.328B | 9630046650 |
| Stud | - | 4 | 6350.107 | 9630028904 |
| Nut, Stud | - | 4 | 5330.000 | 9630024051 |



R90 Double Mechanical Seals (Complete) - SRU6 Pump Models

2 seals per pump. It is recommended to replace both sets of seals when wear dictates seal replacement.

| Inboard Seal | Outboard Seal | Inboard Seal 'O' Ring | Outboard Seal 'O' Ring | SRU6 | |
|-------------------------------------|-------------------------------------|-----------------------|------------------------|-----------------|------------|
| | | | | Part No. | Item No. |
| Stainless Steel / Carbon | Stainless Steel / Carbon | NBR | NBR | 7400.106N/106N | 9630022646 |
| | | EPDM | EPDM | 7400.106E/106E | 9630039516 |
| | | FPM | FPM | 7400.106V/106V | |
| | | PTFE | PTFE | 7400.106P/106P | |
| | | PTFE | NBR | 7400.P106P/106N | |
| | | PTFE | EPDM | 7400.P106P/106E | |
| | | PTFE | FPM | 7400.P106P/106V | |
| Stainless Steel / Inserted Carbon | Stainless Steel / Inserted Carbon | NBR | NBR | 7400.146N/146N | 9630026239 |
| | | EPDM | EPDM | 7400.146E/146E | |
| | | FPM | FPM | 7400.146V/146V | |
| | | PTFE | PTFE | 7400.146P/146P | |
| | | PTFE | NBR | 7400.P146P/146N | |
| | | PTFE | EPDM | 7400.P146P/146E | |
| | | PTFE | FPM | 7400.P146P/146V | |
| Tungsten Carbide / Tungsten Carbide | Stainless Steel / Carbon | NBR | NBR | 7400.P176N/106N | 9630030293 |
| | | EPDM | EPDM | 7400.P176E/106E | 9630030215 |
| | | FPM | FPM | 7400.P176V/106V | 9630039743 |
| | | PTFE | PTFE | 7400.P176P/106P | 9630039742 |
| | | PTFE | NBR | 7400.P176P/106N | 9630041470 |
| | | PTFE | EPDM | 7400.P176P/106E | |
| | | PTFE | FPM | 7400.P176P/106V | |
| Tungsten Carbide / Tungsten Carbide | Tungsten Carbide / Tungsten Carbide | NBR | NBR | 7400.176N/176N | 9630039523 |
| | | EPDM | EPDM | 7400.176E/176E | 9630061932 |
| | | FPM | FPM | 7400.176V/176V | 9630052953 |
| | | PTFE | PTFE | 7400.176P/176P | 9630100941 |
| | | PTFE | NBR | 7400.P176P/176N | |
| | | PTFE | EPDM | 7400.P176P/176E | |
| | | PTFE | FPM | 7400.P176P/176V | |
| Silicon Carbide / Silicon Carbide | Stainless Steel / Carbon | NBR | NBR | 7400.P206N/106N | 9630064992 |
| | | EPDM | EPDM | 7400.P206E/106E | |
| | | FPM | FPM | 7400.P206V/106V | |
| | | PTFE | PTFE | 7400.P206P/106P | |
| | | PTFE | NBR | 7400.P206P/106N | |
| | | PTFE | EPDM | 7400.P206P/106E | |
| | | PTFE | FPM | 7400.P206P/106V | |
| Silicon Carbide / Silicon Carbide | Silicon Carbide / Silicon Carbide | NBR | NBR | 7400.206N/206N | 9630097671 |
| | | EPDM | EPDM | 7400.206E/206E | |
| | | FPM | FPM | 7400.206V/206V | |
| | | PTFE | PTFE | 7400.206P/206P | |
| | | PTFE | NBR | 7400.P206P/206N | |
| | | PTFE | EPDM | 7400.P206P/206E | |
| | | PTFE | FPM | 7400.P206P/206V | |

Note: Above are listed the most common seal ring / 'O' ring combinations - for other combinations see p.49.
 Note: For SRU6 seals where inboard and outboard seals are different, then there is an additional "P" in the part number to distinguish between SRU6 seals and A7-0550 (AP550) and G7-0550 (GP550) seals

| Description | Drg No. | Qty | SRU6 | |
|---------------|---------|-----|-----------|------------|
| | | | Part No. | Item No. |
| Gasket | 75 | 2 | 5198.104 | 9630030911 |
| Housing, BSPT | 79 | 2 | 5265.329A | 9630028630 |
| Housing, NPT | | | 5265.329B | 9630047130 |
| Screw | - | 4 | 5990.004 | 9630024589 |

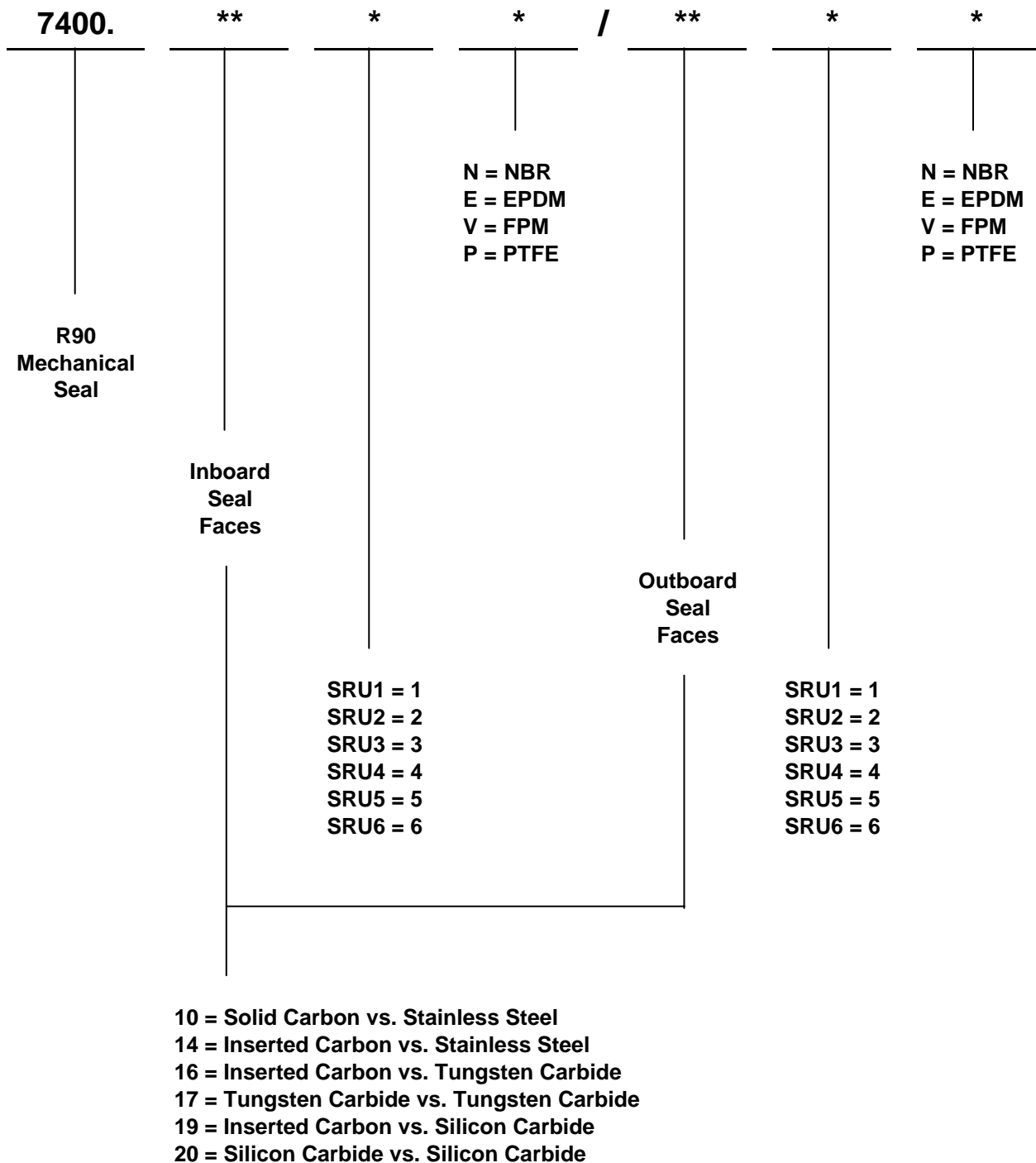


R90 Double Mechanical Seals (Complete - Part Numbering)

The table below shows how to create the complete seal part number.

Example: 7400.174V/144V

Double R90 seal with Tungsten Carbide vs. Tungsten Carbide faces inboard with FPM product wetted O' rings and Inserted Carbon vs. Stainless Steel outboard faces with FPM flush wetted 'O' rings for SRU4 pump model.



R90 Double Mechanical Seals (Parts) - SRU1 and SRU2 Pump Models

| Drg No. | Description | Material | Qty | SRU1 | | SRU2 | |
|---|---|------------------|-----|-----------|------------|-----------|------------|
| | | | | Part No | Item No | Part No | Item No |
| 71 | Stationary Seal Ring 'O' Ring | NBR | 4 | 5380.214 | 9630028449 | 5380.222 | 9630027299 |
| | | EPDM | | 5380.218 | 9630027782 | 5380.226 | 9630028377 |
| | | FPM | | 5380.216 | 9630028447 | 5380.224 | 9630028379 |
| | | PTFE | | 5380.220 | 9630019763 | 5380.228 | 9630028374 |
| 72 | Stationary Seal Ring (inboard and outboard) | Solid Carbon | 4 | R5630.066 | 9630026215 | R5630.067 | 9630026164 |
| | | Inserted Carbon | | R5630.060 | 9630025257 | R5630.061 | 9630025258 |
| | | Tungsten Carbide | | R5630.072 | 9630029728 | R5630.073 | 9630026168 |
| | | Silicon Carbide | | R5630.078 | 9630026003 | R5630.079 | 9630044552 |
| 73 | Rotary Seal Ring 'O' Ring | NBR | 4 | 5380.213 | 9630028460 | 5380.221 | 9630027301 |
| | | EPDM | | 5380.217 | 9630028446 | 5380.225 | 9630028378 |
| | | FPM | | 5380.215 | 9630028448 | 5380.223 | 9630028380 |
| | | PTFE | | 5380.219 | 9630028382 | 5380.227 | 9630028375 |
| 74A | Rotary Seal Assembly (inboard) | Stainless Steel | 2 | R7400.121 | 9630030218 | R5610.080 | 9630025252 |
| | | Tungsten Carbide | | R7400.131 | 9630026464 | R5610.086 | 9630026209 |
| | | Silicon Carbide | | R7400.181 | 9630027025 | R5610.092 | 9630044551 |
| 74B | Rotary Seal Assembly (outboard) | Stainless Steel | 2 | R5610.079 | 9630025251 | R7400.122 | 9630030219 |
| | | Tungsten Carbide | | R5610.085 | 9630030106 | R7400.132 | 9630026570 |
| | | Silicon Carbide | | R5610.091 | 9630027018 | R7400.182 | 9630027024 |
| <p>Note: SRU1 pump - Rotary Seal Assembly Inboard (74A) comprises of rotary seal ring, wave spring (99), washer (98), drive ring (100) and grub screw (78). Rotary Seal Assembly Outboard (74B) comprises of rotary seal ring, wave spring (99) and washer (98).</p> <p>SRU2 pump - Rotary Seal Assembly Inboard (74A) comprises of rotary seal ring, wave spring (99) and washer (98) . Rotary Seal Assembly Outboard (74B) comprises of rotary seal ring, wave spring (99), washer (98) grub screw (78) and drive ring (100).</p> | | | | | | | |
| 78 | Grub Screw | | 6 | 6010.013 | 9630030299 | 6010.013 | 9630030299 |
| 98 | Washer | | 4 | R6400.061 | 9630045430 | R6400.062 | 9630045431 |
| 99 | Wave Spring (see note 1) | | 4 | R6300.031 | 9630026769 | R6300.032 | 9630026770 |
| 100 | Drive Ring | | 2 | R5620.041 | 9630064227 | R5620.042 | 9630064228 |

Note 1. If PTFE 'O' Rings are fitted it is necessary to use double wave springs for inboard seal only i.e. Qty 6.

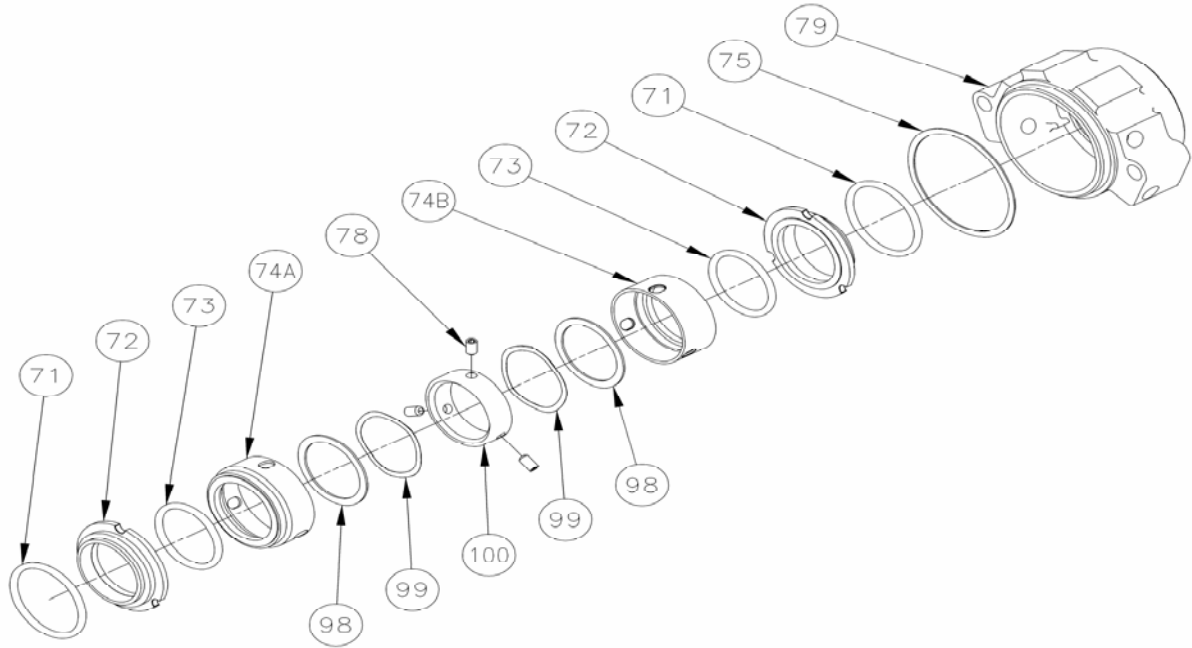
| R90 Double Mechanical Seals (Parts) - SRU3 and SRU4 Pump Models | | | | | | | |
|---|--|------------------|-----|-----------|------------|-----------|------------|
| Drg No. | Description | Material | Qty | SRU3 | | SRU4 | |
| | | | | Part No | Item No | Part No | Item No |
| 71 | Stationary Seal Ring 'O' Ring | NBR | 4 | 5380.230 | 9630028368 | 5380.238 | 9630028260 |
| | | EPDM | | 5380.234 | 9630028321 | 5380.242 | 9630025642 |
| | | FPM | | 5380.232 | 9630028357 | 5380.240 | 9630027472 |
| | | PTFE | | 5380.236 | 9630028266 | 5380.244 | 9630026096 |
| 72 | Stationary Seal Ring (inboard or outboard) | Solid Carbon | 4 | R5630.068 | 9630026163 | R5630.069 | 9630017815 |
| | | Inserted Carbon | | R5630.062 | 9630026162 | R5630.063 | 9630035092 |
| | | Tungsten Carbide | | R5630.074 | 9630017810 | R5630.075 | 9630026167 |
| | | Silicon Carbide | | R5630.080 | 9630027021 | R5630.081 | 9630027020 |
| 73 | Rotary Seal Ring 'O' Ring | NBR | 4 | 5380.149 | 9630024280 | 5380.237 | 9630028263 |
| | | EPDM | | 5380.093 | 9630024206 | 5380.241 | 9630025646 |
| | | FPM | | 5380.101 | 9630024214 | 5380.239 | 9630021115 |
| | | PTFE | | 5380.123 | 9630024254 | 5380.243 | 9630026094 |
| 74A | Rotary Seal Assembly (inboard) | Stainless Steel | 2 | R5610.081 | 9630026160 | R5610.082 | 9630025253 |
| | | Tungsten Carbide | | R5610.087 | 9630025255 | R5610.088 | 9630026217 |
| | | Silicon Carbide | | R5610.093 | 9630027017 | R5610.094 | 9630027016 |
| 74B | Rotary Seal Assembly (outboard) | Stainless Steel | 2 | R7400.123 | 9630026877 | R7400.124 | 9630026882 |
| | | Tungsten Carbide | | R7400.133 | 9630026569 | R7400.134 | 9630026585 |
| | | Silicon Carbide | | R7400.183 | 9630027023 | R7400.184 | 9630045909 |
| Note: Rotary Seal Assembly Inboard (74A) comprises of rotary seal ring, wave spring (99) and washer (98) . Rotary Seal Assembly Outboard (74B) comprises of rotary seal ring, wave spring (99), washer (98) grub screw (78) and drive ring (100). | | | | | | | |
| 78 | Grub Screw | | 6 | 6010.013 | 9630030299 | 6010.015 | 9630028475 |
| 98 | Washer | | 4 | R6400.063 | 9630045432 | R6400.064 | 9630045433 |
| 99 | Wave Spring (see note 1) | | 4 | R6300.033 | 9630022957 | R6300.034 | 9630026228 |
| 100 | Drive Ring | | 2 | R5620.043 | 9630064229 | R5620.044 | 9630064230 |

Note 1. If PTFE 'O' Rings are fitted it is necessary to use double wave springs for inboard seal only i.e. Qty 6.

| R90 Double Mechanical Seals (Parts) - SRU5 and SRU6 Pump Models | | | | | | | |
|---|--|------------------|-----|-----------|------------|-----------|------------|
| Drg No. | Description | Material | Qty | SRU5 | | SRU6 | |
| | | | | Part No | Item No | Part No | Item No |
| 71 | Stationary Seal Ring 'O' Ring | NBR | 4 | 5380.246 | 9630025417 | 5380.254 | 9630027486 |
| | | EPDM | | 5380.250 | 9630025437 | 5380.258 | 9630029893 |
| | | FPM | | 5380.248 | 9630025398 | 5380.256 | 9630029897 |
| | | PTFE | | 5380.252 | 9630025846 | 5380.260 | 9630029885 |
| 72 | Stationary Seal Ring (inboard or outboard) | Solid Carbon | 4 | R5630.070 | 9630026196 | R5630.071 | 9630029729 |
| | | Inserted Carbon | | R5630.064 | 9630026207 | R5630.065 | 9630026165 |
| | | Tungsten Carbide | | R5630.076 | 9630026219 | R5630.077 | 9630026193 |
| | | Silicon Carbide | | R5630.082 | 9630044328 | R5630.083 | 9630027019 |
| 73 | Rotary Seal Ring 'O' Ring | NBR | 4 | 5380.245 | 9630026648 | 5380.253 | 9630026625 |
| | | EPDM | | 5380.249 | 9630025314 | 5380.257 | 9630029896 |
| | | FPM | | 5380.247 | 9630025438 | 5380.255 | 9630026693 |
| | | PTFE | | 5380.251 | 9630026704 | 5380.259 | 9630029889 |
| 74A | Rotary Seal Assembly (inboard) | Stainless Steel | 2 | R5610.083 | 9630026210 | R5610.084 | 9630025254 |
| | | Tungsten Carbide | | R5610.089 | 9630025256 | R5610.090 | 9630026166 |
| | | Silicon Carbide | | R5610.095 | 9630026651 | R5610.096 | 9630026650 |
| 74B | Rotary Seal Assembly (outboard) | Stainless Steel | 2 | R7400.125 | 9630026172 | R7400.126 | 9630026449 |
| | | Tungsten Carbide | | R7400.135 | 9630026584 | R7400.136 | 9630022294 |
| | | Silicon Carbide | | R7400.185 | 9630027022 | R7400.186 | 9630046520 |
| Note: Rotary Seal Assembly Inboard (74A) comprises of rotary seal ring, wave spring (99) and washer (98) . Rotary Seal Assembly Outboard (74B) comprises of rotary seal ring, wave spring (99), washer (98) grub screw (78) and drive ring (100). | | | | | | | |
| 78 | Grub Screw | | 6 | 6010.014 | 9630030300 | 6010.018 | 9630026071 |
| 98 | Washer | | 4 | R6400.065 | 9630045434 | R6400.066 | 9630045435 |
| 99 | Wave Spring (see note 1) | | 4 | R6300.035 | 9630026208 | - | - |
| | Coil Spring | | 24 | - | - | R6300.036 | 9630026227 |
| 100 | Drive Ring | | 2 | R5620.045 | 9630064231 | R5620.046 | 9630058823 |

Note 1. If PTFE 'O' Rings are fitted it is necessary to use double wave springs for inboard seal only i.e. Qty 6.

R90 Double Mechanical Seal - Exploded View Drawing



Hyclean Single Mechanical Seals (Complete) - SRU1 and SRU2 Pump Models

2 seals per pump. It is recommended to replace both sets of seals when wear dictates seal replacement

| Rotary Seal / Stationary Seal Ring | 'O' Rings | SRU1 | | SRU2 | |
|------------------------------------|-----------|-----------|------------|-----------|------------|
| | | Part No. | Item No. | Part No. | Item No. |
| Stainless Steel / Carbon | NBR | 7600.101N | 9630070142 | 7600.102N | 9630046729 |
| | EPDM | 7600.101E | 9630053608 | 7600.102E | 9630046731 |
| | FPM | 7600.101V | 9630060999 | 7600.102V | 9630046730 |
| Silicon Carbide / Carbon | NBR | 7600.181N | 9630090687 | 7600.182N | 9630046745 |
| | EPDM | 7600.181E | 9630090686 | 7600.182E | 9630046747 |
| | FPM | 7600.181V | 9630057357 | 7600.182V | 9630046746 |
| Silicon Carbide / Silicon Carbide | NBR | 7600.201N | 9630090685 | 7600.202N | 9630046758 |
| | EPDM | 7600.201E | 9630053609 | 7600.202E | 9630046760 |
| | FPM | 7600.201V | 9630065312 | 7600.202V | 9630046759 |

| Description | Qty | SRU1 | | SRU2 | |
|-----------------------|-----|----------|------------|----------------|------------|
| | | Part No. | Item No. | Part No. | Item No. |
| Retaining Clip | 4 | 5087.054 | 9630050761 | 31494.5087.052 | 9630042394 |
| Screw, Retaining Clip | 4 | 5990.067 | 9630027365 | 5990.067 | 9630027365 |

Additional parts to convert pump fitted with above Hyclean seals to single flushed seals

| Description | Drawing Item No. | Qty | SRU1 | | SRU2 | |
|-----------------------|------------------|-----|-----------|------------|-----------|------------|
| | | | Part No. | Item No. | Part No. | Item No. |
| Conversion kit - BSPT | - | 1 | 4010.341A | 9630091231 | 4010.342A | 9630091233 |
| Conversion kit - NPT | - | | 4010.341B | 9630091232 | 4010.342B | 9630091234 |

Conversion kits comprising of:-

| | | | | | | |
|----------------|----|---|-----------|------------|-----------|------------|
| Housing, BSPT | 79 | 2 | 5265.423A | 9630054246 | 5265.388A | 9630034722 |
| Housing, NPT | | | 5265.423B | 9630054248 | 5265.388B | 9630041956 |
| 'O' Ring (FPM) | 87 | 2 | 5380.273 | 9630027378 | 1551.138 | 9630037158 |
| Lip Seal (FPM) | 88 | 2 | 5310.114 | 9630054231 | 5310.107 | 9630043050 |
| Screw, Housing | - | 4 | 5990.012 | 9630024603 | 5990.011 | 9630024601 |

Note: Retaining clip and screw not required for flushed seals.

Hyclean Single Mechanical Seals (Complete) - SRU3 and SRU4 Pump Models

2 seals per pump. It is recommended to replace both sets of seals when wear dictates seal replacement

| Rotary Seal / Stationary Seal Ring | 'O' Rings | SRU3 | | SRU4 | | |
|---|-----------|----------------|------------|----------------|------------|------------|
| | | Part No. | Item No. | Part No. | Item No. | |
| Stainless Steel / Carbon | NBR | 7600.103N | 9630046733 | 7600.104N | 9630046737 | |
| | EPDM | 7600.103E | 9630046735 | 7600.104E | 9630046741 | |
| | FPM | 7600.103V | 9630046734 | 7600.104V | 9630046740 | |
| Silicon Carbide / Carbon | NBR | 7600.183N | 9630046749 | 7600.184N | 9630046752 | |
| | EPDM | 7600.183E | 9630046751 | 7600.184E | 9630046754 | |
| | FPM | 7600.183V | 9630046750 | 7600.184V | 9630046753 | |
| Silicon Carbide / Silicon Carbide | NBR | 7600.203N | 9630046761 | 7600.204N | 9630046765 | |
| | EPDM | 7600.203E | 9630046763 | 7600.204E | 9630046767 | |
| | FPM | 7600.203V | 9630046762 | 7600.204V | 9630046766 | |
| Description | Qty | SRU3 | | SRU4 | | |
| | | Part No. | Item No. | Part No. | Item No. | |
| Retaining Clip | 4 | 31495.5087.053 | 9630042396 | 31495.5087.053 | 9630042396 | |
| Screw, Retaining Clip | 4 | 5990.064 | 9630042399 | 5990.064 | 9630042399 | |
| Additional parts to convert pump fitted with above Hyclean seals to single flushed seals | | | | | | |
| Description | Drawing | Qty | SRU3 | | SRU4 | |
| | Item No. | | Part No. | Item No. | Part No. | Item No. |
| Conversion kit - BSPT | - | 1 | 4010.343A | 9630091235 | 4010.344A | 9630091237 |
| Conversion kit - NPT | - | | 4010.343B | 9630091236 | 4010.344B | 9630091238 |
| Conversion kits comprising of:- | | | | | | |
| Housing, BSPT | 79 | 2 | 5265.389A | 9630042563 | 5265.390A | 9630029496 |
| Housing, NPT | | | 5265.389B | 9630042326 | 5265.390B | 9630042327 |
| 'O' Ring (FPM) | 87 | 2 | 5380.399 | 9630043058 | 5380.403 | 9630043060 |
| Lip Seal (FPM) | 88 | 2 | 5310.027 | 9630024046 | 5310.109 | 9630043052 |
| Screw, Housing | - | 4 | 5990.066 | 9630028936 | 5990.066 | 9630028936 |

Note: Retaining clip and screw not required for flushed seals.

Hyclean Single Mechanical Seals (Complete) - SRU5 and SRU6 Pump Models

2 seals per pump. It is recommended to replace both sets of seals when wear dictates seal replacement

| Rotary Seal / Stationary Seal Ring | 'O' Rings | SRU5 | | SRU6 | |
|---------------------------------------|-----------|-----------|------------|-----------|------------|
| | | Part No. | Item No. | Part No. | Item No. |
| Stainless Steel / Carbon | NBR | 7600.105N | 9630046738 | 7600.106N | 9630053215 |
| | EPDM | 7600.105E | 9630046744 | 7600.106E | 9630041719 |
| | FPM | 7600.105V | 9630046743 | 7600.106V | 9630030780 |
| Silicon Carbide / Carbon | NBR | 7600.185N | 9630046755 | 7600.186N | 9630090689 |
| | EPDM | 7600.185E | 9630046757 | 7600.186E | 9630041729 |
| | FPM | 7600.185V | 9630046756 | 7600.186V | 9630057267 |
| Silicon Carbide / Silicon Carbide | NBR | 7600.205N | 9630046769 | 7600.206N | 9630060539 |
| | EPDM | 7600.205E | 9630046771 | 7600.206E | 9630041720 |
| | FPM | 7600.205V | 9630046770 | 7600.206V | 9630049360 |

| Description | Qty | SRU5 | | SRU6 | |
|-----------------------|-----|----------------|------------|----------------|------------|
| | | Part No. | Item No. | Part No. | Item No. |
| Retaining Clip | 4 | 31495.5087.053 | 9630042396 | 31495.5087.053 | 9630042396 |
| Screw, Retaining Clip | 4 | 5990.064 | 9630042399 | 5990.064 | 9630042399 |

Additional parts to convert pump fitted with above Hyclean seals to single flushed seals

| Description | Drawing Item No. | Qty | SRU5 | | SRU6 | |
|-----------------------|---------------------|-----|-----------|------------|-----------|------------|
| | | | Part No. | Item No. | Part No. | Item No. |
| Conversion kit - BSPT | - | 1 | 4010.345A | 9630091239 | 4010.346A | 9630091241 |
| Conversion kit - NPT | - | | 4010.345B | 9630091240 | 4010.346B | 9630091242 |

Conversion kits comprising of:-

| | | | | | | |
|----------------|----|---|-----------|------------|-----------|------------|
| Housing, BSPT | 79 | 2 | 5265.391A | 9630042118 | 5265.411A | 9630050398 |
| Housing, NPT | | | 5265.391B | 9630042121 | 5265.411B | 9630049929 |
| 'O' Ring (FPM) | 87 | 2 | 5380.407 | 9630043063 | 5380.292 | 9630031929 |
| Lip Seal (FPM) | 88 | 2 | 5310.052 | 9630028335 | 5310.068 | 9630032804 |
| Screw, Housing | - | 4 | 5990.034 | 9630024635 | - | - |
| Stud | - | 4 | - | - | 6350.105 | 9630027485 |
| Nut | - | 4 | - | - | 5330.000 | 9630024051 |
| Washer | - | 4 | - | - | 6400.037 | 9630024233 |

Note: Retaining clip and screw not required for flushed seals.

Hyclean Single Mechanical Seals (Parts) - SRU Pump Models

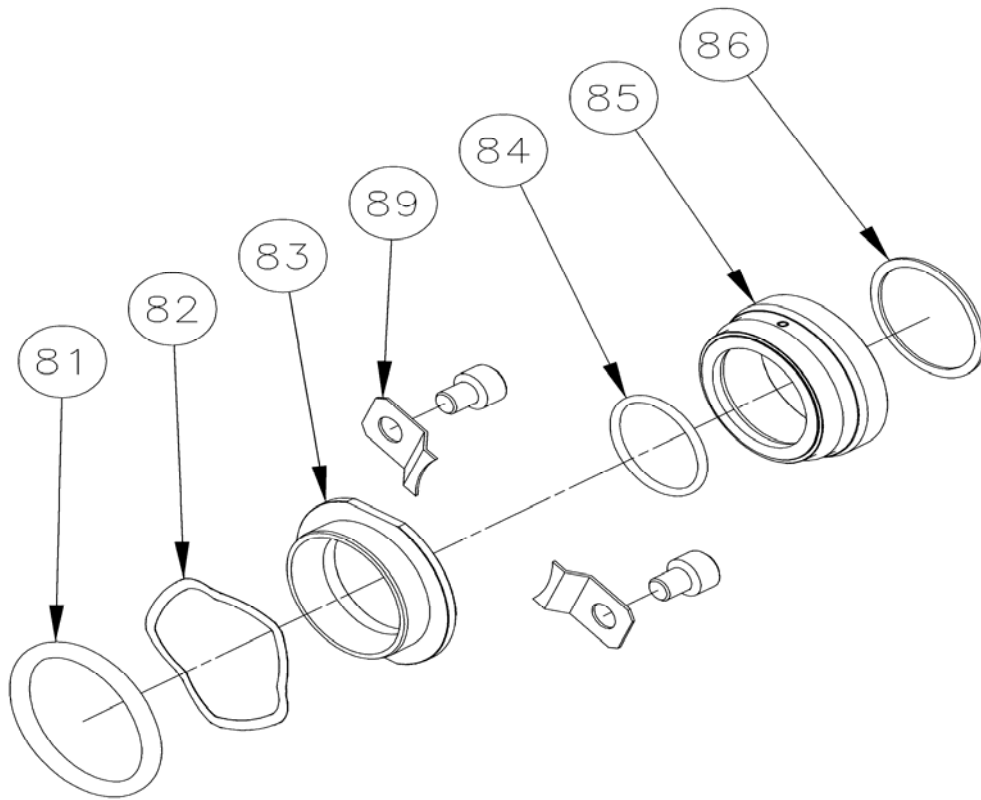
| Drg No. | Description | Material | Qty | SRU1 | | SRU2 | |
|---------|----------------------|--|-----|-----------|------------|--------------|------------|
| | | | | Part No | Item No | Part No | Item No |
| 81 | Rotorcase 'O' Ring | NBR EPDM FPM | 2 | 1550.320 | 9630050800 | 31494.5001.1 | 9630042759 |
| | | | | 1555.320 | 9630050799 | 31494.5001.5 | 9630042761 |
| | | | | 1551.320 | 9630050801 | 31494.5001.2 | 9630042760 |
| 82 | Wave Spring | | 2 | R6300.039 | 9630050798 | 31494.0508.1 | 9630042767 |
| 83 | Stationary Seal Ring | Solid Carbon Silicon Carbide Inserted Sil.Car. | 2 | R5630.092 | 9630031237 | 31494.0501.2 | 9630029349 |
| | | | | R5630.093 | 9630023183 | 31494.0501.3 | 9630029474 |
| | | | | - | - | 31494.0501.9 | 9630057066 |
| 84 | Shaft 'O' Ring | NBR EPDM FPM | 2 | 1550.114 | 9630023345 | 1550.121 | 9630019400 |
| | | | | 1555.114 | 9630023526 | 1555.121 | 9630025331 |
| | | | | 1551.114 | 9630023406 | 1551.121 | 9630019399 |
| 85 | Rotary Seal Ring | Stainless Steel Silicon Carbide | 2 | R5610.101 | 9630031240 | 31494.0506.1 | 9630042757 |
| | | | | R5610.102 | 9630031241 | 31494.0506.3 | 9630042758 |
| 86 | Washer | NBR FPM | 2 | 6400.086 | 9630050796 | 6400.069 | 9630046535 |
| | | | | 6400.087 | 9630050797 | 6400.073 | 9630046695 |

| Drg No. | Description | Material | Qty | SRU3 | | SRU4 | |
|---------|----------------------|--|-----|--------------|------------|--------------|------------|
| | | | | Part No | Item No | Part No | Item No |
| 81 | Rotorcase 'O' Ring | NBR EPDM FPM | 2 | 31495.5001.1 | 9630042771 | 31496.5001.1 | 9630042786 |
| | | | | 31495.5001.5 | 9630042773 | 31496.5001.5 | 9630042788 |
| | | | | 31495.5001.2 | 9630042772 | 31496.5001.2 | 9630042787 |
| 82 | Wave Spring | | 2 | 31495.0508.1 | 9630042780 | 31496.0508.1 | 9630042794 |
| 83 | Stationary Seal Ring | Solid Carbon Silicon Carbide Inserted Sil.Car. | 2 | 31495.0501.2 | 9630037760 | 31496.0501.2 | 9630025796 |
| | | | | 31495.0501.3 | 9630042768 | 31496.0501.3 | 9630042783 |
| | | | | 31495.0501.9 | 9630056418 | 31496.0501.9 | 9630052311 |
| 84 | Shaft 'O' Ring | NBR EPDM FPM | 2 | 1550.124 | 9630046505 | 1550.131 | 9630023353 |
| | | | | 1555.124 | 9630046509 | 1555.131 | 9630023531 |
| | | | | 1551.124 | 9630046508 | 1551.131 | 9630023418 |
| 85 | Rotary Seal Ring | Stainless Steel Silicon Carbide | 2 | 31495.0506.1 | 9630042769 | 31496.0506.1 | 9630042784 |
| | | | | 31495.0506.3 | 9630042770 | 31496.0506.3 | 9630042785 |
| 86 | Washer | NBR FPM | 2 | 6400.070 | 9630046536 | 6400.071 | 9630046537 |
| | | | | 6400.074 | 9630046696 | 6400.075 | 9630046697 |

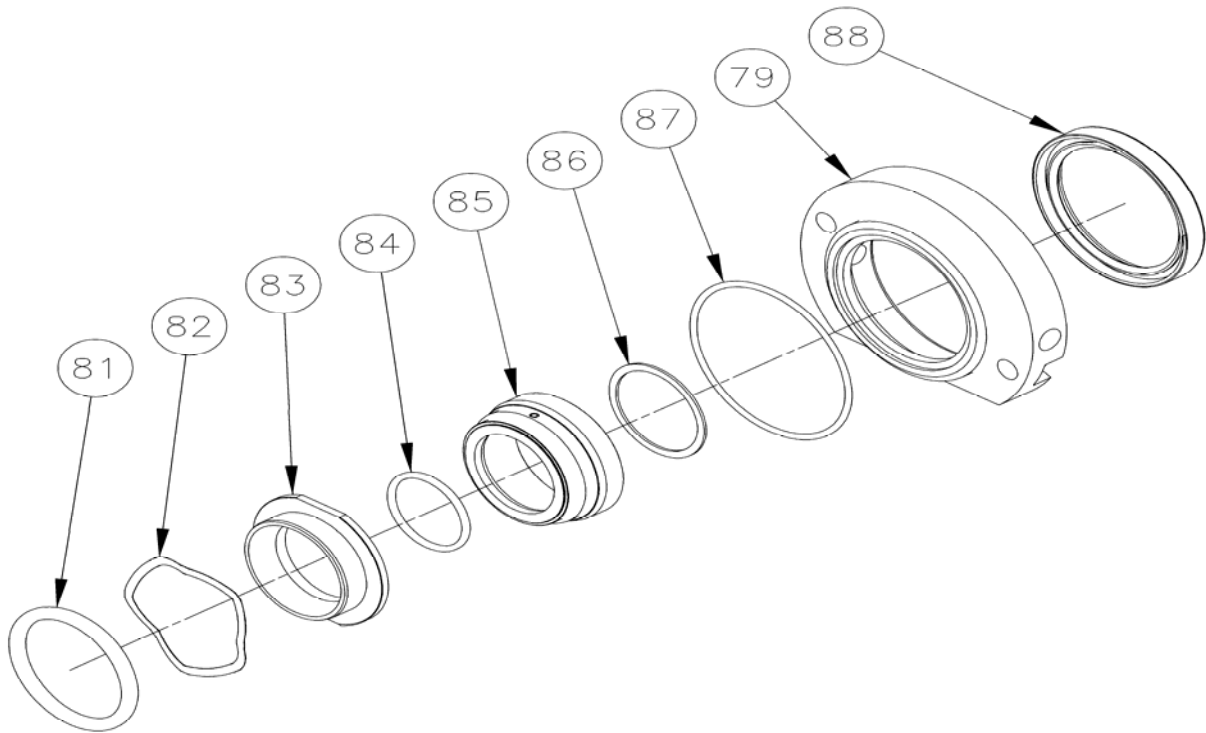
| Drg No. | Description | Material | Qty | SRU5 | | SRU6 | |
|---------|----------------------|--|-----|--------------|------------|--------------|------------|
| | | | | Part No | Item No | Part No | Item No |
| 81 | Rotorcase 'O' Ring | NBR EPDM FPM | 2 | 31497.5001.1 | 9630042799 | 1550.339 | 9630048174 |
| | | | | 31497.5001.5 | 9630042801 | 1555.339 | 9630030198 |
| | | | | 31497.5001.2 | 9630042800 | 1551.339 | 9630048175 |
| 82 | Wave Spring | | 2 | 31497.0508.1 | 9630042807 | 31498.0508.1 | 9630048005 |
| 83 | Stationary Seal Ring | Solid Carbon Silicon Carbide Inserted Sil.Car. | 2 | 31497.0501.2 | 9630039819 | 31498.0501.2 | 9630047980 |
| | | | | 31497.0501.3 | 9630042795 | - | - |
| | | | | 31497.0501.9 | 9630052312 | 31498.0501.3 | 9630048002 |
| 84 | Shaft 'O' Ring | NBR EPDM FPM | 2 | 1550.137 | 9630046511 | 5380.246 | 9630025417 |
| | | | | 1555.137 | 9630046514 | 5380.250 | 9630025437 |
| | | | | 1551.137 | 9630046513 | 5380.248 | 9630025398 |
| 85 | Rotary Seal Ring | Stainless Steel Silicon Carbide | 2 | 31497.0506.1 | 9630042797 | 31498.0506.1 | 9630048004 |
| | | | | 31497.0506.3 | 9630042798 | 31498.0506.3 | 9630048003 |
| 86 | Washer | NBR FPM | 2 | 6400.072 | 9630046538 | 6400.079 | 9630048006 |
| | | | | 6400.076 | 9630046698 | 6400.080 | 9630048007 |



Hyclean Mechanical Seal - Exploded View Drawing



Hyclean Flushed Mechanical Seal - Exploded View Drawing



Packed Gland Seals - Pump Models SRU1 to SRU4

All SRU pumps are fitted with 10 packing rings (i.e.5 per shaft) except SRU1, which has 8 packing rings (i.e. 4 per shaft). If a lantern ring is fitted, this replaces 1 packing ring on each shaft.

| Drg No. | Description | Qty | SRU1 | | SRU2 | | |
|---------|--------------------------|-----|------------|------------|------------|-----------|------------|
| | | | Part No | Item No | Part No | Item No | |
| 1 | Shaft Sleeve 'O' Ring | 2 | NBR | 5380.316 | 9630034652 | 5380.052 | 9630024180 |
| | | | EPDM | 5380.416 | 9630043405 | 5380.417 | 9630043406 |
| | | | FPM | 5380.319 | 9630034859 | 5380.053 | 9630024181 |
| | | | PTFE | 5380.320 | 9630034860 | 5380.283 | 9630031603 |
| 2 | Shaft Sleeve | 2 | St. Stl. | 6200.220 | 9630030335 | 6200.204 | 9630032656 |
| | | | Hardened | 6200.168 | 9630034852 | 6200.169 | 9630031521 |
| 3 | Spacer | 2 | | 5670.080 | 9630034857 | 5670.081 | 9630031533 |
| 4 | Gland Packing | 10 | Polyamide | 5240.061 | 9630034863 | 5240.062 | 9630025189 |
| | | | PTFE | 5240.071 | 9630034864 | 5240.072 | 9630021041 |
| 5 | Lantern Ring (if fitted) | 2 | | 5650.024 | 9630034869 | 5650.019 | 9630031639 |
| 6 | Gasket | 1 | | 5198.201 | 9630062179 | - | - |
| | | 2 | | - | - | 5198.100 | 9630031523 |
| 7 | Housing | 2 | Unflushed | 5235.014 | 9630034843 | 5235.016 | 9630031527 |
| | | | Flush BSPT | 5235.014AA | 9630101726 | 5235.016A | 9630031529 |
| | | | Flush NPT | 5335.014BA | 9630101727 | 5335.016B | 9630032351 |
| 8 | Gland Follower | 2 | | 5230.070 | 9630033379 | 5230.053 | 9630031525 |
| 9 | Slinger | 2 | | 5665.029 | 9630034858 | 5665.023 | 9630031784 |
| 10 | Screw | 6 | | 6010.011 | 9630024658 | 6010.019 | 9630026007 |
| | | | | 5330.036 | 9630058700 | 5330.035 | 9630058699 |
| | Nut | 4 | | 6350.115 | 9630034862 | 6350.103 | 9630027364 |
| | Stud | 4 | | | | | |

| Drg No. | Description | Qty | SRU3 | | SRU4 | | |
|---------|-----------------------------|-----|------------|-----------|------------|-----------|------------|
| | | | Part No | Item No | Part No | Item No | |
| 1 | Shaft Sleeve 'O' Ring | 2 | NBR | 5380.021 | 9630024120 | 5380.030 | 9630024129 |
| | | | EPDM | 5380.415 | 9630043403 | 5380.410 | 9630043109 |
| | | | FPM | 5380.019 | 9630024118 | 5380.275 | 9630026743 |
| | | | PTFE | 5380.284 | 9630031604 | 5380.285 | 9630031605 |
| 2 | Shaft Sleeve | 2 | St. Stl. | 6200.212 | 9630033149 | 6200.239 | 9630041933 |
| | | | Hardened | 6200.213 | 9630033145 | 6200.171 | 9630031339 |
| 3 | Spacer | 2 | | 5670.082 | 9630031469 | 5670.083 | 9630031353 |
| 4 | Gland Packing | 10 | Polyamide | 5240.063 | 9630025390 | 5240.064 | 9630025439 |
| | | | PTFE | 5240.073 | 9630026753 | 5240.074 | 9630021042 |
| 5 | Lantern Ring (if fitted) | 2 | | 5650.020 | 9630031640 | 5650.021 | 9630031641 |
| 6 | Gasket | 2 | | 5198.101 | 9630021471 | 5198.102 | 9630031351 |
| 7 | Housing | 2 | Unflushed | 5235.018 | 9630031463 | 5235.020 | 9630031343 |
| | | | Flush BSPT | 5235.018A | 9630031465 | 5235.020A | 9630031345 |
| | | | Flush NPT | 5335.018B | 9630032353 | 5335.020B | 9630023254 |
| 8 | Gland Follower | 2 | | 5230.054 | 9630031467 | - | - |
| 8a | Split Gland Follower | 4 | | - | - | 5230.080 | 9630051586 |
| 8b | Split Gland Follower Plate | 4 | | - | - | 5230.087 | 9630051619 |
| 8c | Screw, Split Gland Follower | 4 | | - | - | 5990.061 | 9630040714 |
| 9 | Slinger | 2 | | 5665.024 | 9630031797 | 5665.025 | 9630031798 |
| 10 | Screw | 2 | | 6010.019 | 9630026007 | 6010.019 | 9630026007 |
| | | | | 5330.035 | 9630058699 | 5330.033 | 9630025350 |
| | Nut | 4 | | 6350.144 | 9630058750 | 6350.125 | 9630042574 |
| | Stud | 4 | | | | | |

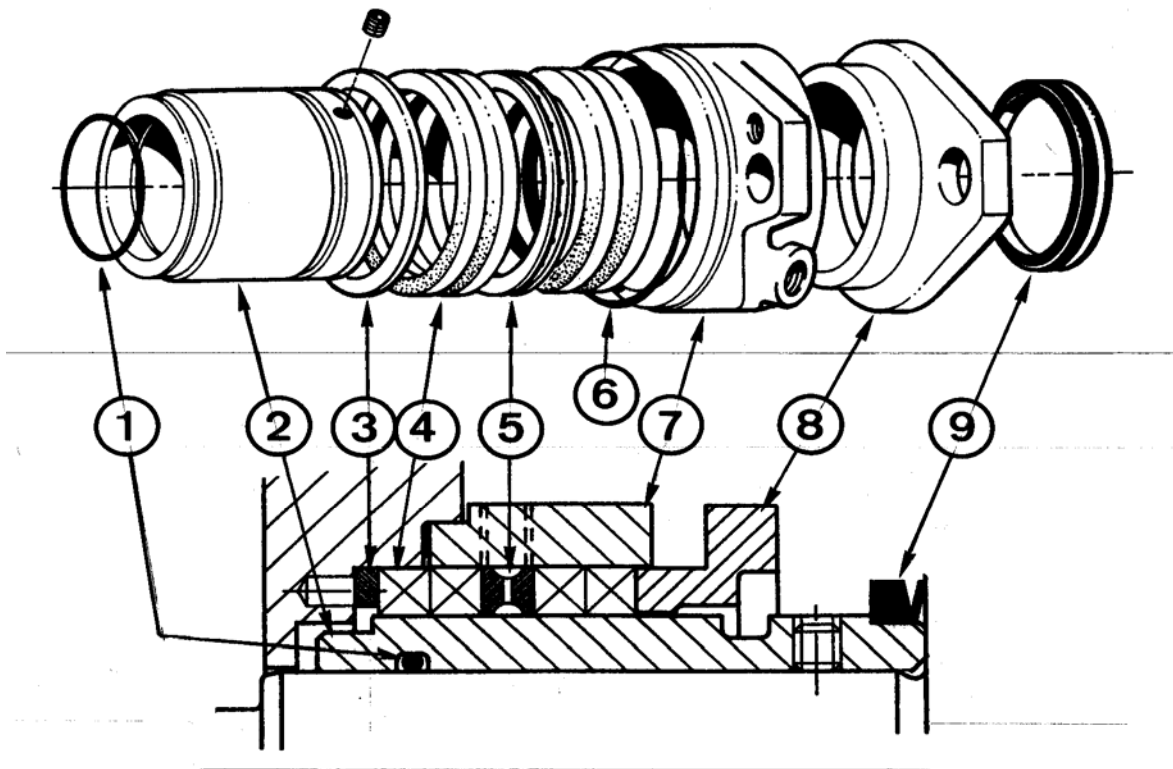


Packed Gland Seals - Pump Models SRU5 and SRU6

All SRU pumps are fitted with 10 packing rings (i.e.5 per shaft) except SRU1, which has 8 packing rings (i.e. 4 per shaft). If a lantern ring is fitted, this replaces 1 packing ring on each shaft.

| Drg No. | Description | Qty | SRU5 | | SRU6 | | |
|---------|-----------------------------|-----|------------|------------|------------|------------|------------|
| | | | Part No | Item No | Part No | Item No | |
| 1 | Shaft Sleeve 'O' Ring | 2 | NBR | 5380.076 | 9630024193 | 5380.136 | 9630024267 |
| | | | EPDM | 5380.198 | 9630025794 | 5380.134 | 9630024265 |
| | | | FPM | 5380.077 | 9630024194 | 5380.158 | 9630024289 |
| | | | PTFE | 5380.192 | 9630024367 | 5380.165 | 9630024337 |
| 2 | Shaft Sleeve | 2 | 6200.172 | 9630031081 | 6200.173 | 9630030928 | |
| 3 | Spacer | 2 | 5670.084 | 9630031087 | 5670.085 | 9630030926 | |
| 4 | Gland Packing | 10 | Polyamide | 5240.065 | 9630025915 | 5240.066 | 9630021037 |
| | | | PTFE | 5240.075 | 9630026564 | 5240.076 | 9630026406 |
| 5 | Lantern Ring (if fitted) | 2 | 5650.022 | 9630031642 | 5650.023 | 9630031643 | |
| 6 | Gasket | 2 | 5198.103 | 9630031077 | 5198.104 | 9630030911 | |
| 7 | Housing | 2 | Unflushed | 5235.022 | 9630031061 | 5235.024 | 9630030918 |
| | | | Flush BSPT | 5235.022A | 9630031063 | 5235.024A | 9630030936 |
| | | | Flush NPT | 5335.022B | 9630032355 | 5335.024B | 9630032356 |
| 8a | Split Gland Follower | 4 | 5230.078 | 9630051180 | 5230.082 | 9630052130 | |
| 8b | Split Gland Follower Plate | 4 | 5230.088 | 9630052140 | 5230.089 | 9630052134 | |
| 8c | Screw, Split Gland Follower | 4 | 5990.061 | 9630040714 | 5990.074 | 9630051541 | |
| 9 | Slinger | 2 | 5665.027 | 9630031800 | 5665.028 | 9630031801 | |
| 10 | Screw | 6 | 6010.014 | 9630030300 | 6010.014 | 9630030300 | |
| | Nut | 4 | 5330.033 | 9630025350 | 5330.033 | 9630025350 | |
| | Stud | 4 | 6350.107 | 9630028904 | 6350.108 | 9630028906 | |

Packed Gland Seal - Exploded View Drawing



Pressure Relief Valve (Complete) - SRU Pump Models

Complete assembly includes rotorcase cover.
For elastomers required: N = NBR, E = EPDM, V = FPM and P = PTFE.

| Valve type | SRU1 | | SRU2 | | SRU3 | |
|---|--------------|------------|--------------|------------|--------------|------------|
| | Part No. | Item No. | Part No. | Item No. | Part No. | Item No. |
| Std pressure < 12 bar (SRU1) < 10 bar (2-3) | 4083.001N | 9630032548 | 4083.002N | 9630032550 | 4083.003N | 9630032551 |
| | 4083.001E | 9630047160 | 4083.002E | 9630027296 | 4083.003E | 9630043291 |
| | 4083.001V | 9630032549 | 4083.002V | 9630033115 | 4083.003V | 9630033119 |
| | 4083.001P | 9630034307 | 4083.002P | 9630034216 | 4083.003P | 9630034567 |
| High pressure > 12 bar (SRU1) > 10 bar (2-3) | 4083.001N/HP | 9630045539 | 4083.002N/HP | 9630024964 | 4083.003N/HP | 9630048177 |
| | 4083.001E/HP | 9630047618 | 4083.002E/HP | 9630024957 | 4083.003E/HP | 9630045905 |
| | 4083.001V/HP | 9630037687 | 4083.002V/HP | 9630045997 | 4083.003V/HP | 9630045609 |
| | 4083.001P/HP | 9630047617 | 4083.002P/HP | 9630024959 | 4083.003P/HP | 9630048178 |
| Std pressure < 12 bar (SRU1) < 10 bar (2-3) with lever lift | 4083.101N | 9630044546 | 4083.102N | 9630045082 | 4083.103N | 9630046971 |
| | 4083.101E | 9630091243 | 4083.102E | 9630046972 | 4083.103E | 9630046973 |
| | 4083.101V | 9630091244 | 4083.102V | 9630059453 | 4083.103V | 9630026838 |
| | 4083.101P | 9630091245 | 4083.102P | 9630091250 | 4083.103P | 9630091255 |
| High pressure > 12 bar (SRU1) > 10 bar (2-3) with lever lift | 4083.101N/HP | 9630091246 | 4083.102N/HP | 9630091251 | 4083.103N/HP | 9630091256 |
| | 4083.101E/HP | 9630091247 | 4083.102E/HP | 9630091252 | 4083.103E/HP | 9630091257 |
| | 4083.101V/HP | 9630091248 | 4083.102V/HP | 9630091253 | 4083.103V/HP | 9630091258 |
| | 4083.101P/HP | 9630091249 | 4083.102P/HP | 9630091254 | 4083.103P/HP | 9630091259 |

| Valve type | SRU4 | | SRU5 | |
|--|--------------|------------|--------------|------------|
| | Part No. | Item No. | Part No. | Item No. |
| Std pressure < 10 bar | 4083.004N | 9630032552 | 4083.005N | 9630032553 |
| | 4083.004E | 9630039307 | 4083.005E | 9630045541 |
| | 4083.004V | 9630033120 | 4083.005V | 9630033128 |
| | 4083.004P | 9630034189 | 4083.005P | 9630045590 |
| High pressure > 10 bar | 4083.004N/HP | 9630033094 | 4083.005N/HP | 9630047693 |
| | 4083.004E/HP | 9630031450 | 4083.005E/HP | 9630047692 |
| | 4083.004V/HP | 9630037120 | 4083.005V/HP | 9630029103 |
| | 4083.004P/HP | 9630030615 | 4083.005P/HP | 9630045543 |
| Std pressure < 10 bar with lever lift | 4083.104N | 9630091260 | 4083.105N | 9630091265 |
| | 4083.104E | 9630046974 | 4083.105E | 9630091266 |
| | 4083.104V | 9630075494 | 4083.105V | 9630047273 |
| | 4083.104P | 9630042755 | 4083.105P | 9630042284 |
| High pressure > 10 bar with lever lift | 4083.104N/HP | 9630091261 | 4083.105N/HP | 9630091267 |
| | 4083.104E/HP | 9630091262 | 4083.105E/HP | 9630091268 |
| | 4083.104V/HP | 9630091263 | 4083.105V/HP | 9630091269 |
| | 4083.104P/HP | 9630091264 | 4083.105P/HP | 9630091270 |

| Valve type | SRU6 standard | | SRU6 with lever lift | |
|------------|---------------|------------|----------------------|------------|
| | Part No. | Item No. | Part No. | Item No. |
| < 7 bar | 4083.006N | 9630032554 | 4083.106N | 9630091272 |
| | 4083.006E | 9630057151 | 4083.106E | 9630055893 |
| | 4083.006V | 9630033133 | 4083.106V | 9630054329 |
| | 4083.006P | 9630042269 | 4083.106P | 9630042271 |
| < 10 bar | 4083.006N/ME | 9630045542 | 4083.106N/ME | 9630091273 |
| | 4083.006E/ME | 9630025005 | 4083.106E/ME | 9630091274 |
| | 4083.006V/ME | 9630046886 | 4083.106V/ME | 9630091275 |
| | 4083.006P/ME | 9630022269 | 4083.106P/ME | 9630091276 |
| < 15 bar | 4083.006N/HP | 9630038272 | 4083.106N/HP | 9630091277 |
| | 4083.006E/HP | 9630058067 | 4083.106E/HP | 9630091278 |
| | 4083.006V/HP | 9630045807 | 4083.106V/HP | 9630091279 |
| | 4083.006P/HP | 9630048700 | 4083.106P/HP | 9630091280 |
| < 18 bar | 4083.006N/HP1 | 9630049002 | 4083.106N/HP1 | 9630091281 |
| | 4083.006E/HP1 | 9630062101 | 4083.106E/HP1 | 9630091282 |
| | 4083.006V/HP1 | 9630036122 | 4083.106V/HP1 | 9630091283 |
| | 4083.006P/HP1 | 9630091271 | 4083.106P/HP1 | 9630091284 |

Pressure Relief Valve (Parts) - SRU1 to SRU5 Pump Models

| Drg No. | Description | Qty | SRU1-3 | | SRU4-5 | | |
|---------|----------------------------------|-------------------------|----------|------------|------------|------------|------------|
| | | | Part No | Item No | Part No | Item No | |
| 1 | Rotorcase cover | 1 | SRU1 | 5131.093 | 9630026292 | - | - |
| | | | SRU2 | 5131.094 | 9630026902 | - | - |
| | | | SRU3 | 5131.095 | 9630026356 | - | - |
| | | | SRU4 | - | - | 5131.096 | 9630028799 |
| | | | SRU5 | - | - | 5131.097 | 9630028797 |
| 2 | Hydraulic Piston | 1 | SRU1 | 6130.035 | 9630047336 | - | - |
| | | | SRU2 | 6130.036 | 9630047338 | - | - |
| | | | SRU3 | 6130.037 | 9630047340 | - | - |
| | | | SRU4 | - | - | 6130.038 | 9630047649 |
| | | | SRU5 | - | - | 6130.039 | 9630047651 |
| 3 | 'O' Ring, Hydraulic Piston | 1 | NBR | 5380.030 | 9630024129 | 5380.028 | 9630024127 |
| | | | EPDM | 5380.410 | 9630043109 | 5380.411 | 9630043110 |
| | | | FPM | 5380.275 | 9630027643 | 5380.035 | 9630024131 |
| | | | PTFE | 5380.285 | 9630031605 | 5380.303 | 9630032248 |
| 4 | Valve Pin | 1 | 5170.027 | 9630026075 | 5170.028 | 9630031806 | |
| 5 | Shim set | St. Stl. | 1 | 6150.323 | 9630101745 | 6150.324 | 9630101746 |
| 6 | Backstop disc | | 1 | 5135.009 | 9630027707 | 5135.010 | 9630031804 |
| 7 | 'O' Ring (NBR), Backstop disc | | 1 | 5380.269 | 9630027508 | 5380.291 | 9630031831 |
| 8/15 | Bush | | 2 | 5060.015 | 9630047342 | 5060.016 | 9630047647 |
| 9 | Screw, Backstop disc | | 4 | 5990.011 | 9630024601 | 5990.012 | 9630024603 |
| 10 | Valve shaft | Standard for lever lift | 1 | 6130.025 | 9630027738 | 6130.028 | 9630031808 |
| | | | | 6130.034 | 9630042536 | 6130.033 | 9630042279 |
| 11 | 'O' Ring (NBR), Pneumatic piston | | 1 | 5380.267 | 9630027500 | 5380.289 | 9630031829 |
| 12 | Pneumatic Piston | | 1 | 6130.027 | 9630026981 | 6130.031 | 9630031814 |
| 13 | 'O' Ring (NBR), Pneumatic piston | | 1 | 5380.268 | 9630027160 | 5380.290 | 9630031830 |
| 14 | Circlip | | 1 | 5090.007 | 9630027978 | 5090.008 | 9630031833 |
| 16 | Valve Guide | Standard For lever lift | 1 | 5245.002 | 9630025565 | 5245.005 | 9630031816 |
| | | | | 5245.014 | 9630042540 | 5245.012 | 9630042273 |
| 17 | Valve Guide Pin | | 1 | 5245.004 | 9630027546 | 5245.007 | 9630031824 |
| 18 | Spring, compression | < 10 bar > 10 bar | 4 | 6290.017 | 9630029781 | 6290.021 | 9630033372 |
| | | | | 6290.023 | 9630034501 | 6290.024 | 9630034502 |
| 19 | Screw, spring guide | | 4 | 5990.046 | 9630027692 | 5990.024 | 9630024621 |
| 20 | Valve spring guide | | 4 | 5245.003 | 9630027785 | 5245.006 | 9630031818 |
| 21 | Valve spring adjuster | | 1 | 5015.009 | 9630027770 | 5015.010 | 9630031820 |
| 22 | Washer | | 1 | - | - | 6400.048 | 9630035232 |
| 23 | Nut | | 1 | 5340.048 | 9630027975 | 5340.049 | 9630031834 |
| 24 | Valve housing | Standard For lever lift | 1 | 5267.023 | 9630027977 | 5267.024 | 9630031822 |
| | | | | 5267.026 | 9630042538 | 5267.025 | 9630042277 |
| 25 | Screw, valve housing | Standard For lever lift | 1 | 5985.001 | 9630027694 | 5985.001 | 9630027694 |
| | | | | 6000.009 | 9630045083 | 6000.001 | 9630024638 |
| 26 | Screw, spring adjuster | | 4 | 5990.046 | 9630027692 | 5990.050 | 9630032120 |
| - | Thrust washer | | 1 | 6400.055 | 9630042424 | 6400.055 | 9630042424 |
| - | Nut | Lever lift only | 1 | 5330.033 | 9630025350 | 5330.033 | 9630025350 |
| - | Thrust washer adaptor | | 1 | 6400.054 | 9630042423 | 6400.054 | 9630042423 |
| - | Lever sub-assembly | | 1 | 4083.023 | 9630045081 | 4083.022 | 9630042457 |



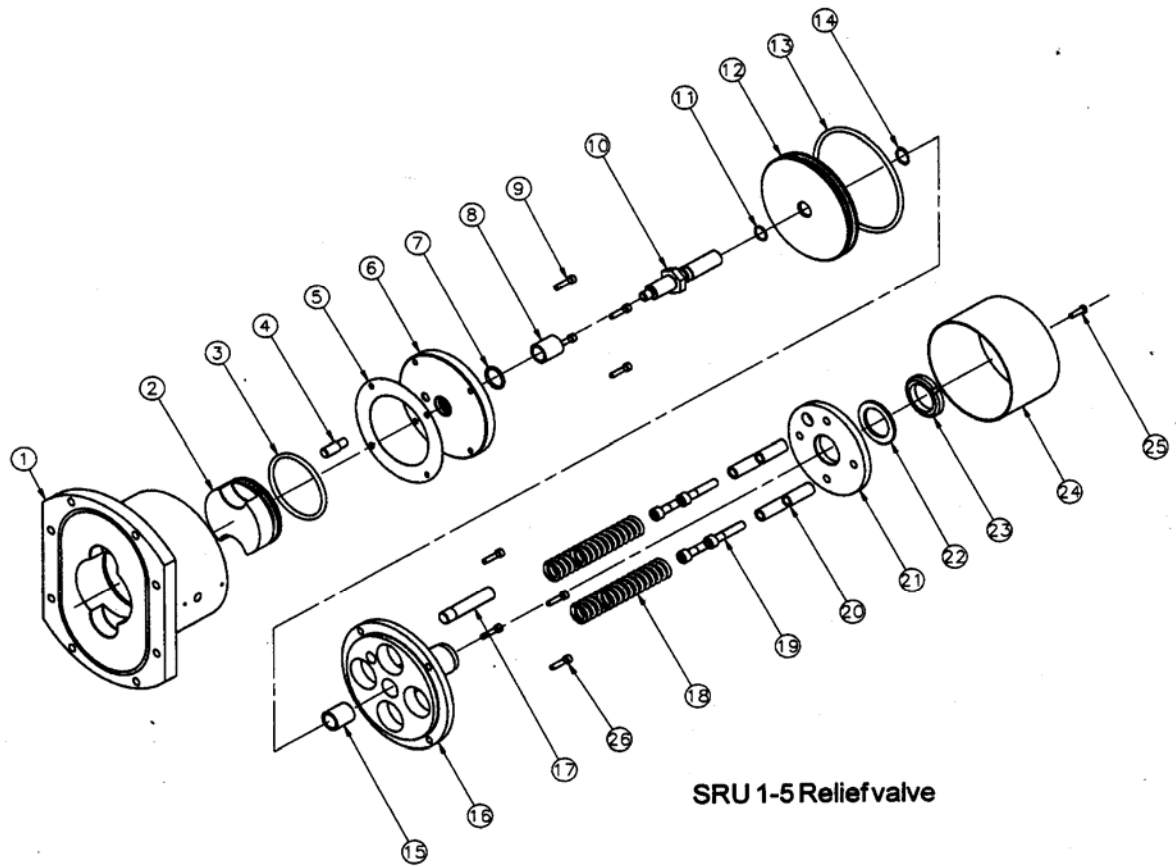
| Pressure Relief Valve (Parts) - SRU6 Pump Models | | | | | |
|--|----------------------------------|-----|--------------------|------------|------------|
| Drg No. | Description | Qty | SRU6 | | |
| | | | Part No | Item No | |
| 1 | Rotorcase cover | 1 | 5131.098 | | |
| 2 | Hydraulic Piston | 1 | 6130.030 | | |
| 3 | 'O' Ring, Hydraulic Piston | 1 | NBR | 5380.288 | 9630028374 |
| | | | EPDM | 5380.412 | 9630043111 |
| | | | FPM | 5380.301 | 9630032246 |
| | | | PTFE | 5380.302 | 9630032247 |
| 4 | Valve Pin | 1 | 5170.028 | 9630031806 | |
| 5 | Shim set | 1 | 6150.324 | 9630101746 | |
| 6 | Backstop disc | 1 | 5135.010 | 9630031804 | |
| 7 | 'O' Ring (NBR), Backstop disc | 1 | 5380.291 | 9630031831 | |
| 8/15 | Bush | 2 | 5060.011 | 9630031823 | |
| 9 | Screw, Backstop disc | 4 | 5990.012 | 9630024603 | |
| 10 | Valve shaft | 1 | Standard | 6130.028 | 9630031808 |
| | | | For lever lift | 6130.033 | 9630042279 |
| 11 | 'O' Ring (NBR), Pneumatic piston | 1 | 5380.289 | 9630031829 | |
| 12 | Pneumatic Piston | 1 | 6130.032 | 9630034718 | |
| 13 | 'O' Ring (NBR), Pneumatic piston | 1 | 5380.290 | 9630031830 | |
| 14 | Circlip | 1 | 5090.008 | 9630031833 | |
| 16 | Valve Guide | 1 | Standard | 5245.009 | 9630034714 |
| | | | For lever lift | 5245.013 | 9630042275 |
| 17 | Valve Guide Pin | 1 | 5245.007 | 9630031824 | |
| 18 | Spring, disc | 144 | < 7 bar | 6280.002 | 9630034726 |
| | | | < 10 bar | | |
| | | | < 15 bar | | |
| | | | < 18 bar | | |
| 19 | Nut, spring guide | 4 | 5330.029 | 9630034725 | |
| 20 | Valve spring guide | 4 | 5245.010 | 9630034716 | |
| 21 | Valve spring adjuster | 1 | 5015.011 | 9630034712 | |
| 22 | Washer | 12 | 6400.047 | 9630034727 | |
| 23 | Nut | 1 | Standard | 5340.054 | 9630053244 |
| | | | For lever lift | 5267.024 | 9630031822 |
| 24 | Valve housing | 1 | Standard | 5267.025 | 9630042277 |
| | | | For lever lift | 5985.001 | 9630027694 |
| 25 | Screw, valve housing | 2 | 6000.001 | 9630024638 | |
| 25a | Washer, valve housing screw | 1 | 6400.046 | 9630030121 | |
| 26 | Screw, spring adjuster | 8 | 5990.050 | 9630032120 | |
| | Thrust washer | 1 | Standard | 6400.055 | 9630042424 |
| | | | For lever lift | 5330.033 | 9630025350 |
| | | | only | 6400.054 | 9630042423 |
| | | | Lever sub-assembly | 4083.022 | 9630042457 |

Note: For SRU6 Items 1 and 2 are only available as spare parts as part of complete assembly.

| SRU6 Relief Valve Spring Arrangements | | | | |
|---------------------------------------|--------------------------------|----------------------------------|-----------------------------------|------------------------------------|
| | < 7 bar | < 10 bar | < 15 bar | < 18 bar |
| Springs arranged: | () () () | (()) (()) (()) (()) | ((()) ((()) ((())) | ((()) ((()) ((())) |
| 1 stack = | () 2 springs 18 stacks/set | (()) 4 springs 12 stacks/set | ((()) 6 springs 9 stacks/set | ((()) 6 springs 10 stacks/set |
| Qty sets each valve: | 4 | 4 | 4 | 4 |
| Total qty springs: | 144 | 192 | 216 | 240 |



Pressure Relief Valve - Exploded View Drawing



SRU 1-5 Relief valve



CSI

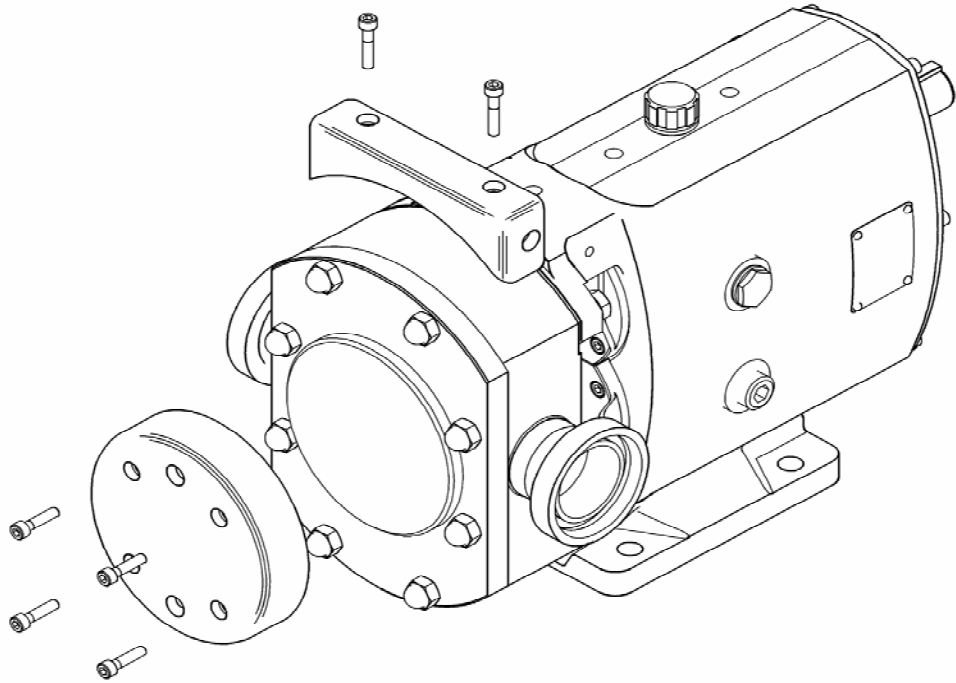
CONTACT CSI FOR MORE INFORMATION | CSIDESIGNS.COM | SALES@CSIDESIGNS.COM | 417.831.1411

| Rotorcase Cover Jackets - SRU Pump Models | | | | |
|---|--|-----|----------|------------|
| Pump Model | Description | Qty | Part No. | Item No. |
| SRU1 | Rotorcase cover drilled for jacket | 1 | 5130.331 | 9630027764 |
| | Jacket - standard (for ATEX pump see 'ATEX Parts') | 1 | 5268.025 | 9630031941 |
| | Screw | 4 | 5990.012 | 9630024603 |
| SRU2 | Rotorcase cover drilled for jacket | 1 | 5130.332 | 9630027767 |
| | Jacket - standard (for ATEX pump see 'ATEX Parts') | 1 | 5268.026 | 9630031943 |
| | Screw | 4 | 5990.012 | 9630024603 |
| SRU3 | Rotorcase cover drilled for jacket | 1 | 5130.333 | 9630027766 |
| | Jacket - standard (for ATEX pump see 'ATEX Parts') | 1 | 5268.027 | 9630031945 |
| | Screw | 4 | 5990.012 | 9630024603 |
| SRU4 | Rotorcase cover drilled for jacket | 1 | 5130.334 | 9630030268 |
| | Jacket - standard (for ATEX pump see 'ATEX Parts') | 1 | 5268.028 | 9630031947 |
| | Screw | 4 | 5990.050 | 9630032120 |
| SRU5 | Rotorcase cover drilled for jacket | 1 | 5130.335 | 9630027765 |
| | Jacket - standard (for ATEX pump see 'ATEX Parts') | 1 | 5268.029 | 9630031949 |
| | Screw | 4 | 5990.050 | 9630032120 |
| SRU6 | Rotorcase cover drilled for jacket | 1 | 5130.336 | 9630027763 |
| | Jacket - standard (for ATEX pump see 'ATEX Parts') | 1 | 5268.030 | 9630031951 |
| | Screw | 4 | 5990.048 | 9630031826 |

| Rotorcase Saddles - SRU Pump Models | | | | |
|-------------------------------------|--|-----|-----------------|------------|
| Pump Model | Description | Qty | Part No. | Item No. |
| SRU1 | Rotorcase drilled for saddle | 1 | See Pages 31-33 | |
| | Saddle - standard (for ATEX pump see 'ATEX Parts') | 2 | 5268.031 | 9630032345 |
| | Screw | 4 | 5990.043 | 9630018807 |
| SRU2 | Rotorcase drilled for saddle | 1 | See Pages 31-33 | |
| | Saddle - standard (for ATEX pump see 'ATEX Parts') | 2 | 5268.032 | 9630032347 |
| | Screw | 4 | 5990.012 | 9630024603 |
| SRU3 | Rotorcase drilled for saddle | 1 | See Pages 31-33 | |
| | Saddle - standard (for ATEX pump see 'ATEX Parts') | 2 | 5268.033 | 9630031953 |
| | Screw | 4 | 5990.009 | 9630024598 |
| SRU4 | Rotorcase drilled for saddle | 1 | See Pages 31-33 | |
| | Saddle - standard (for ATEX pump see 'ATEX Parts') | 2 | 5268.034 | 9630031955 |
| | Screw | 4 | 5990.048 | 9630031826 |
| SRU5 | Rotorcase drilled for saddle | 1 | See Pages 31-33 | |
| | Saddle - standard (for ATEX pump see 'ATEX Parts') | 2 | 5268.035 | 9630031957 |
| | Screw | 4 | 5990.010 | 9630024599 |
| SRU6 | Rotorcase drilled for saddle | 1 | See Pages 31-33 | |
| | Saddle - standard (for ATEX pump see 'ATEX Parts') | 2 | 5268.036 | 9630031959 |
| | Screw | 4 | 5990.010 | 9630024599 |



Jackets and Saddles - Exploded View Drawing



| SRU - EPDM USP Class VI 'O' Rings & Seals | | | | | |
|---|---|------|-----|-----------|------------|
| Drq No. | Description | | Qty | Part No. | Item No. |
| 11 | 'O' Ring, cover - plain | SRU1 | 1 | 1556.239 | 9630854451 |
| | | SRU2 | | 1556.249 | 9630854461 |
| | | SRU3 | | 1556.258 | 9630854477 |
| | | SRU4 | | 1556.265 | 9630854455 |
| | | SRU5 | | 1556.273 | 9630854469 |
| | | SRU6 | | 1556.277 | 9630854485 |
| 18 | 'O' Ring, rotor | SRU1 | 2 | 5380.779 | 9630854492 |
| | | SRU2 | | 1556.022 | 9630854464 |
| | | SRU3 | | 1556.026 | 9630854480 |
| | | SRU4 | | 1556.030 | 9630854458 |
| | | SRU5 | | 1556.135 | 9630854472 |
| | | SRU6 | | 1556.143 | 9630854486 |
| 20 | 'O' Ring, rotor nut | SRU1 | 2 | 5380.778 | 9630854491 |
| | | SRU2 | | 1556.020 | 9630854463 |
| | | SRU3 | | 1556.024 | 9630854479 |
| | | SRU4 | | 1556.029 | 9630854457 |
| | | SRU5 | | 1556.133 | 9630854471 |
| | | SRU6 | | 1556.143 | 9630854486 |
| | Cover/Spline Sealing Kit (comprises cover, rotor and rotor nut sealing 'O' rings for one pump) | SRU1 | 1 | KU1YC | 9630856959 |
| | | SRU2 | | KU2YC | 9630855540 |
| | | SRU3 | | KU3YC | 9630856960 |
| | | SRU4 | | KU4YC | 9630855577 |
| | | SRU5 | | KU5YC | 9630856961 |
| | | SRU6 | | KU6YC | 9630855541 |
| 81 | Hyclean Rotorcase 'O' Ring | SRU1 | 1 | 1556.320 | 9630854453 |
| | | SRU2 | | 1556.325 | 9630854467 |
| | | SRU3 | | 1556.328 | 9630854483 |
| | | SRU4 | | 1556.332 | 9630854459 |
| | | SRU5 | | 1556.335 | 9630854475 |
| | | SRU6 | | 1556.339 | 9630854489 |
| 84 | Hyclean Shaft 'O' Ring | SRU1 | 2 | 1556.114 | 9630854454 |
| | | SRU2 | | 1556.121 | 9630854468 |
| | | SRU3 | | 1556.124 | 9630854484 |
| | | SRU4 | | 1556.131 | 9630854460 |
| | | SRU5 | | 1556.137 | 9630854476 |
| | | SRU6 | | 1556.230 | 9630854473 |
| | Hyclean Single Mech Seal SC / SC / EPDM USP Class VI | SRU1 | 2 | 7600.201Y | 9630855444 |
| | | SRU2 | | 7600.202Y | 9630855445 |
| | | SRU3 | | 7600.203Y | 9630855447 |
| | | SRU4 | | 7600.204Y | 9630855452 |
| | | SRU5 | | 7600.205Y | 9630855453 |
| | | SRU6 | | 7600.206Y | 9630855454 |
| | Service Kit (USA only) Hyc SC/SC/EPDM USP Class VI (comprises cover/spline sealing 'O' rings and mechanical seals for 1 pump) | SRU1 | 1 | KU1YC-H26 | 9630856966 |
| | | SRU2 | | KU2YC-H26 | 9630856967 |
| | | SRU3 | | KU3YC-H26 | 9630856968 |
| | | SRU4 | | KU4YC-H26 | 9630856969 |
| | | SRU5 | | KU5YC-H26 | 9630856970 |
| | | SRU6 | | KU6YC-H26 | 9630856971 |



| Electropolishing (Rotorcase Covers and Rotors) | | | | | | |
|--|-------------------------------------|--|------------|--|--|------------|
| Drg No. | Description | | Qty | Part No. | Item No. | |
| 12 | Cover, rotorcase - EP | SRU1 SRU2 SRU3 SRU4 SRU5 SRU6 | 1 | 5130.311EP 5130.312EP 5130.313EP 5130.314EP 5130.315EP 5130.316EP | 9630856164 9630856021 9630855313 9630854961 9630855202 9630124278 | |
| 17 | Rotor, Trilobe Stainless Steel - EP | 8 bar 70°C | 2 | 5712.005GEP | 9630090643 | |
| | | 8 bar 130°C SRU1/005 | | 5712.005HEP | 9630856252 | |
| | | 8 bar 200°C | | | | |
| | | 5 bar 70°C | | | 5712.008DEP | 9630855579 |
| | | 5 bar 130°C SRU1/008 | | | 5712.008EEP | 9630856253 |
| | | 5 bar 200°C | | | 5712.008FEP | 9630125230 |
| | | 10 bar 70°C | | | 5740.013MEP | 9630856319 |
| | | 10 bar 130°C SRU2/013/ LS and HS | | | 5740.013NEP | 9630856320 |
| | | 10 bar 200°C | | | 5740.013PEP | 9630124757 |
| | | 15 bar 70°C | | | | |
| | | 15 bar 130°C SRU2/013/ LD and HD | | | | |
| | | 15 bar 200°C | | | | |
| | | 7 bar 70°C | | | 5740.018MEP | 9630854738 |
| | | 7 bar 130°C SRU2/018/ LS and HS | | | 5740.018NEP | 9630856321 |
| | | 7 bar 200°C | | | 5740.018PEP | 9630856322 |
| | | 10 bar 70°C | | | | |
| | | 10 bar 130°C SRU2/018/ LD and HD | | | | |
| | | 10 bar 200°C | | | | |
| | | 10 bar 70°C | | | 5740.027MEP | 9630124364 |
| | | 10 bar 130°C SRU3/027/ LS and HS | | | 5740.027NEP | 9630856323 |
| 10 bar 200°C | | 5740.027PEP | 9630854675 | | | |
| 15 bar 70°C | | | | | | |
| 15 bar 130°C SRU3/027/ LD and HD | | 5740.027VEP | 9630857260 | | | |
| 15 bar 200°C | | | | | | |
| 7 bar 70°C | | 5740.038MEP | 9630855311 | | | |
| 7 bar 130°C SRU3/038/ LS and HS | | 5740.038NEP | 9630856324 | | | |
| 7 bar 200°C | | 5740.038PEP | 9630855852 | | | |
| 10 bar 70°C | | | | | | |
| 10 bar 130°C SRU3/038/ LD and HD | | | | | | |
| 10 bar 200°C | | | | | | |
| 10 bar 70°C | | 5740.055DEP | 9630111455 | | | |
| 10 bar 130°C SRU4/055/ LS and HS | | 5740.055EEP | 9630856325 | | | |
| 10 bar 200°C | | | | | | |
| 20 bar 70°C | | 5740.055KEP | 9630855259 | | | |
| 20 bar 130°C SRU4/055/ LD and HD | | 5740.055LEP | 9630856326 | | | |
| 20 bar 200°C | | | | | | |
| 7 bar 70°C | | 5740.079DEP | 9630123804 | | | |
| 7 bar 130°C SRU4/079/ LS and HS | | 5740.079EEP | 9630856327 | | | |
| 7 bar 200°C | | | | | | |
| 15 bar 70°C | | 5740.079KEP | 9630856328 | | | |
| 15 bar 130°C SRU4/079/ LD and HD | | 5740.079LEP | 9630856329 | | | |
| 15 bar 200°C | | | | | | |



| Electropolishing (Rotors cont'd and Rotor Nuts) | | | | | |
|---|-------------------------------------|--------------|------------|-------------|------------|
| Drg No. | Description | | Qty | Part No. | Item No. |
| 17 | Rotor, Trilobe Stainless Steel - EP | 10 bar 70°C | 2 | 5740.116DEP | 9630856330 |
| | | 10 bar 130°C | | 5740.116EEP | 9630855200 |
| | | 10 bar 200°C | | | |
| | | 20 bar 70°C | | 5740.116KEP | 9630856331 |
| | | 20 bar 130°C | | 5740.116LEP | 9630856332 |
| | | 20 bar 200°C | | | |
| | | 7 bar 70°C | | 5740.168DEP | 9630856334 |
| | | 7 bar 130°C | | | |
| | | 7 bar 200°C | | | |
| | | 15 bar 70°C | | | |
| 15 bar 130°C | | | | | |
| 15 bar 200°C | | | | | |
| 10 bar 70°C | 5740.260DEP | 9630126882 | | | |
| 10 bar 130°C | | | | | |
| 10 bar 200°C | | | | | |
| 20 bar 70°C | 5740.260EEP | 9630124276 | | | |
| 20 bar 130°C | | | | | |
| 20 bar 200°C | | | | | |
| 7 bar 70°C | 5740.353DEP | 9630113414 | | | |
| 7 bar 130°C | | | | | |
| 7 bar 200°C | | | | | |
| 15 bar 70°C | 5740.353EEP | 9630856152 | | | |
| 15 bar 130°C | | | | | |
| 15 bar 200°C | | | | | |
| 22 | Nut, rotor retention (RH) - EP | SRU1/005 | 2 | 5900.161EP | 9630856369 |
| | | SRU1/008 | | 5900.162EP | 9630856370 |
| | | SRU2/013 | | 5900.163EP | 9630124758 |
| | | SRU2/018 | | 5900.164EP | 9630854960 |
| | | SRU3/027 | | 5900.165EP | 9630125624 |
| | | SRU3/038 | | 5900.166EP | 9630855295 |
| | | SRU4/055 | | 5900.167EP | 9630856371 |
| | | SRU4/079 | | 5900.168EP | 9630854962 |
| | | SRU5/116 | | 5900.169EP | 9630856372 |
| | | SRU5/168 | | 5900.170EP | 9630111739 |
| | SRU6/260 | 5900.171EP | | 9630124279 | |
| | SRU6/353 | 5900.172EP | | 9630854039 | |
| | Nut, rotor retention (LH) - EP | SRU1/005 | | 5900.181EP | 9630856373 |
| | | SRU1/008 | | 5900.182EP | 9630856374 |
| | | SRU2/013 | | 5900.183EP | 9630856375 |
| | | SRU2/018 | | 5900.184EP | 9630856003 |
| | | SRU3/027 | | 5900.185EP | 9630856376 |
| | | SRU3/038 | | 5900.186EP | 9630855074 |
| | | SRU4/055 | | 5900.187EP | 9630856377 |
| | | SRU4/079 | | 5900.188EP | 9630856378 |
| SRU5/116 | | 5900.189EP | 9630856379 | | |
| SRU5/168 | | 5900.190EP | 9630111740 | | |
| SRU6/260 | 5900.191EP | 9630124280 | | | |
| SRU6/353 | 5900.192EP | 9630855620 | | | |



| Electropolishing (Rotorcase) | | | | | | | |
|------------------------------|--|----------|-------------|------------|-----|-------------|------------|
| Drg No. | Description | Size | | Pump | Qty | Part No. | Item No. |
| | | in | mm | | | | |
| 9 | Rotorcase for Hyclean seal and Tri- clamp (BS4825) connections | 1 | 25 | SRU1/005 | 1 | 9285.082SEP | 9630856355 |
| | | 1 | 25 | SRU1/008 | | 9286.083SEP | 9630856356 |
| | | 1½ | 40 | SRU1/008 | | | |
| | | 1 | 25 | SRU2/013 | | 9211.083SEP | 9630856354 |
| | | 1½ | 40 | SRU2/013 | | | |
| | | 1½ | 40 | SRU2/018 | | 9212.274SEP | 9630856020 |
| | | 2 | 50 | SRU2/018 | | 9212.084SEP | 9630855315 |
| | | 1½ | 40 | SRU3/027 | | 9213.274SEP | 9630099579 |
| | | 2 | 50 | SRU3/027 | | 9213.084SEP | 9630854899 |
| | | 2 | 50 | SRU3/038 | | 9214.271SEP | 9630855608 |
| | | 2½ | 65 | SRU3/038 | | 9214.086SEP | 9630855312 |
| | | 2 | 50 | SRU4/055 | | 9215.271SEP | 9630855224 |
| | | 2½ | 65 | SRU4/055 | | 9215.086SE | 9630067560 |
| | | 2½ | 65 | SRU4/079 | | 9216.149SEP | 9630854963 |
| | | 3 | 80 | SRU4/079 | | | |
| | | 2½ | 65 | SRU5/116 | | 9217.323SEP | 9630856358 |
| | | 3 | 80 | SRU5/116 | | 9217.149SEP | 9630856357 |
| | | 3 | 80 | SRU5/168 | | 9218.150SEP | 9630856359 |
| 4 | 100 | SRU5/168 | | | | | |
| 4 | 100 | SRU6/260 | 9423.088SEP | 9630124277 | | | |
| 4 | 100 | SRU6/353 | 9220.300SEP | 9630113549 | | | |
| 6 | 150 | SRU6/353 | | | | | |



| ATEX Parts | | | | | | |
|-----------------|--|-----------------|-------|--------------|------------|------------|
| Drg No. | Description | | Qty | Part No. | Item No. | |
| 46 | Sight glass | SRU1-4 | 1 | 5480.010 | 9630855435 | |
| | | Horiz port | 2 | | | |
| | | Vert port | 1 | | | |
| 47 | Filler plug | SRU1-4 | 1 | 5192.286 | 9630105171 | |
| | | Horiz port | 2 | | | |
| | | Vert port | 1 | | | |
| | Washer, bonded - for filler plug | NBR | 1 / 2 | 31499.5916.1 | 9630039007 | |
| 50 | Gland guard | SRU1 | 2 | 5243.136 | 9630112468 | |
| | | SRU2 | | 5243.137 | 9630123783 | |
| | | SRU3 | | 5243.138 | 9630124138 | |
| | | SRU4 | | 5243.139 | 9630855285 | |
| | | Lower vert port | SRU5 | 1 | 5243.148 | 9630855513 |
| | | Upper vert port | | 2 | 5243.150 | 9630855514 |
| | | Horiz port | SRU6 | 1 | 5243.149 | 9630855500 |
| Lower vert port | 1 | 5243.151 | | 9630855501 | | |
| Upper vert port | 2 | 5243.152 | | | | |
| 72b | Stationary seal ring with thermocouple (R90 Single mechanical seal). Note: Only silicon carbide available and normally 1 off is req'd as other seal ring will be as standard silicon carbide | SRU1 | 1 | R5630.181 | 9630113595 | |
| | | SRU2 | | R5630.182 | 9630113596 | |
| | | SRU3 | | R5630.183 | 9630113598 | |
| | | SRU4 | | R5630.184 | 9630113599 | |
| | | SRU5 | | R5630.185 | 9630113600 | |
| | | SRU6 | | R5630.186 | 9630113601 | |
| 72c | Stationary seal ring with thermocouple (R90 Double mechanical seal) Note: Only silicon carbide available and normally 1 off is req'd as other seal ring will be as standard silicon carbide | SRU1 | 1 | R5630.191 | 9630123885 | |
| | | SRU2 | | R5630.192 | 9630123886 | |
| | | SRU3 | | R5630.193 | 9630123887 | |
| | | SRU4 | | R5630.194 | 9630123888 | |
| | | SRU5 | | R5630.195 | 9630123889 | |
| | | SRU6 | | R5630.196 | 9630123890 | |
| 79 | Seal housing, double mechanical seal for thermocouple (R90 Double mechanical seal) Note: Normally 1 off is req'd as other seal housing will be as standard | SRU1 | 1 | 5265.221A.T | | |
| SRU2 | 5265.325A.T | | | | | |
| SRU3 | 5265.326A.T | | | | | |
| SRU4 | 5265.327A.T | | | | | |
| SRU5 | 5265.328A.T | | | | | |
| SRU6 | 5265.329A.T | | | | | |
| 101 | Thermocouple clamp plate | SRU1 | 1 | 5087.081 | 9630855569 | |
| | | SRU2 | | 5087.082 | | |
| | | SRU3 | | 5087.083 | | |
| | | SRU4 | | 5087.084 | | |
| | | SRU5 | | 5087.085 | | |
| | | SRU6 | | 5087.086 | | |
| 102 | Screw, thermocouple clamp plate | SRU1 | 2 | 5990.007 | 9630024595 | |
| | | SRU2-3 | | 5990.066 | 9630028936 | |
| | | SRU4-6 | | 5990.083 | 9630074138 | |
| 103 | Plastic bush | SRU1-6 | 1 | 5060.021 | 9630855571 | |
| 104 | Screw, bush locking | SRU1-6 | 1 | 5990.088 | 9630855570 | |
| | Jacket, rotorcase cover (stainless steel) | SRU1 | 1 | 5268.091 | 9630855436 | |
| | | SRU2 | | 5268.092 | 9630855437 | |
| | | SRU3 | | 5268.093 | 9630126740 | |
| | | SRU4 | | 5268.094 | 9630854731 | |
| | | SRU5 | | 5268.095 | 9630855438 | |
| | | SRU6 | | 5268.096 | 9630855439 | |
| | Saddle, rotorcase (stainless steel) | SRU1 | 2 | 5268.081 | 9630855440 | |
| | | SRU2 | | 5268.082 | 9630855441 | |
| | | SRU3 | | 5268.083 | 9630126739 | |
| | | SRU4 | | 5268.084 | 9630854730 | |
| | | SRU5 | | 5268.085 | 9630855442 | |
| | | SRU6 | | 5268.086 | 9630855443 | |
| | Stud, earthing | SRU1 | 1 | 6350.148 | 9630105360 | |
| | | SRU2-4 | | 6350.149 | 9630105362 | |
| | | SRU5-6 | | 6350.148 | 9630105360 | |
| | Nut, earthing stud | | 2 | 5330.003 | 9630024057 | |
| | Washer, lock | | 2 | 6410.009 | 9630105264 | |
| | Earth bonding cable | | 1 | 4450.222 | 9630105267 | |
| | Terminal copper tube | | 2 | 4450.223 | 9630105435 | |
| | Earth bonding tag | | 1 | 5410.088 | 9630105614 | |

| Miscellaneous Items | | | | |
|--|-----------|-----|--------------|------------|
| Description | | Qty | SRU1 to SRU6 | |
| | | | Part No. | Item No. |
| Plug, Seal Housing | 1/8" BSPT | 4 | 5470.000 | 9630024415 |
| | 1/8" NPT | | 5470.006 | 9630024422 |
| | 1/4" BSPT | | 5470.001 | 9630024417 |
| | 1/4" NPT | | 5470.004 | 9630024419 |
| <u>The following housings have 1/8" connections</u> R90 Flush and Double sizes SRU1-3 Hyclean Flush sizes SRU1-4 Packed Gland sizes SRU1-4 <u>The following housings have 1/4" connections</u> R90 Flush and Double sizes SRU4-6 Hyclean Flush sizes SRU5-6 Packed Gland sizes SRU5-6 | | | | |

Grease filled gearboxes in gearcases drilled for oil.

If Gearcase is drilled for Oil and supplied for Grease then the same fixings are required as for Oil, EXCEPT that Unvented Filler Plug 31495.0052.1 is used instead of 31491.0052.1 and 5480.001

| Revision History | | | |
|------------------|------------------|---------------|---|
| Issue | Ref | Date | Description |
| SRU INTRODUCTION | - | February 2001 | SRU range introduced and replaces SR/3A and NMOG pump ranges. (SR/3A SS and SD versions still available to special order only.) |
| | CH5808 | | The gearboxes on sizes SRU1-4 revised to universal mounting with bolt-on feet for either horizontal or vertical porting. |
| | CH5809 | | Gearboxes on sizes SRU5-6 remained as dedicated for either horizontal or vertical porting but standardised to one external shape. |
| | CH5808 CH5809 | | Grease lubrication withdrawn as a standard option. |
| | CH5817 CH5834 | | SRU6/260 introduced to replace SR6/246/3A and NMOG822 to provide increased bore size on 4" ports. |
| | CH5804 | | Sanitary size port bores introduced throughout range (CH5804, CH5758, CH5812, CH5813, and CH5814). |
| | CH5793 | | Shim retainers standardised to one item per pump size that is suitable to fit both the SRU and for spares requirements on discontinued SR, SR/3A and NMOG ranges. |
| | CH5795 | | SRU1-4 timing gears revised to hardened as standard. |
| | CH5816 | | New style gland guards introduced. |
| | CH5825 CH5826 | | Bilobe rotors revised to have the master spline at 45 deg which allows both rotors in the pump to be identical instead of 'handed'. |
| | CH5839 | | Hyclean flushed lip seals standardised to fully enclosed FPM with stainless steel spring. |
| 2001-02 | TM | 01-02-2001 | New manual issue 1 ref SP70844-GB1 |
| 1.01 | CH | | Pump drg item no 14A (gasket) deleted. The gaskets are no longer available and silicone sealant (item Z3717.0001) is used. |
| 1.02 | CH5883 | 05-03-2001 | Pump drg item no 46A (sight glass washer) deleted. The sight glass 5480.001 has been changed to include an integral washer. |
| 1.03 | CH5884 | 06-03-2001 | SRU1 and SRU2 Pump drg item no. 51/52 gland guard screws revised to 4 off part 6000.010 (item 9630050533) instead of 4 off 5990.045 and 4 off washers 6400.046. |
| 1.04 | CH5905 | 26-04-2001 | Pump drg item no 40 (screw) revised on pump sizes SRU2 and SRU3. SRU2 part number updated from part 5990.044 to part 5990.007 and item updated from 9630030096 to 9630024595. SRU3 part number updated from part part 5990.007 to part 5990.005 and item updated from 9630024595 to 9630024591. |
| 1.05 | | | Pump drg item no 1 (gearcase) and drg items 54 and 56 (feet) revised to indicate part and item numbers for painted Alfa Laval Blue. |
| 1.06 | | | SRU1 Pump drg item no. 7 (FPM) item number corrected from 9630030621 to item 9630032806 |
| 1.07 | | | SRU1 Pump drg item no. 11 (PTFE) part number corrected from 1550.239 to part 1552.239. |
| 1.08 | | | SRU1 Pump drg item no. 18 (FPM) part number corrected from 5380.566 to part 5380.420 and item number corrected from item 9630057303 to item 9630044557. |
| 1.09 | | | SRU2 Pump drg item no. 18 (EPDM) item number corrected from 9630046454 to item 9630046455. |
| 1.10 | | | SRU4 Pump drg item no. 11 (FPM) part number corrected from 5380.433 to part 1551.265 and item number corrected from 9630045581 to 9630037519. |
| 1.11 | | | SRU5 Pump drg item no. 11 (FPM) part number corrected from 5380.436 to part 1551.273 and item number corrected from 9630045584 to 9630046180. |
| 1.12 | | | SRU5 Pump drg item no. 8A corrected from part 6150.256 to part 6150.315 and the item changed from 9630050529 to item 9630089544 as per above CH5793. |

| Revision History (continued) | | | |
|------------------------------|----------|------------|--|
| Issue | Ref | Date | Description |
| 1.13 | | | SRU2/013 bilobe rotor part number 5741.013N item number corrected to 9630090572. |
| 1.14 | | | SRU2/018 bilobe rotor part number 5741.018W item number corrected to 9630099560. |
| 1.15 | | | SRU1 R90 flush housing gasket corrected to part number 5198.201 and item number to 9630062179 and quantity to 1 per pump as per CH5234 (1997). |
| 1.16 | | | SRU4 R90 flush housing studs, nuts and washers corrected to screws part number 5990.078 item 9630060520 as per CH5151 (1996). |
| 1.17 | | | SRU5 R90 flush housing studs corrected to part number 6350.104 item 9630019863. |
| 1.18 | | | Details of Hyclean retaining clips and screws added. |
| 1.19 | | | SRU1 Hyclean housing 'O' ring corrected to part number 5380.273 item 9630027378. |
| 1.20 | | | SRU2 Hyclean housing 'O' ring corrected to part number 1551.138 item 9630037158. |
| 1.21 | | | SRU5 Hyclean housing 'O' ring corrected to part number 5380.407 item 9630043063. |
| 1.22 | | | SRU6 Hyclean housing 'O' ring corrected to part number 5380.292 item 9630039129. |
| 1.23 | | | Details of stainless steel shaft sleeves added to SRU1-4 packed gland arrangements. |
| 1.24 | | | SRU1 packed gland flush housings corrected to part numbers 5235.014AA and 5235.014BA (items 9630101726 and 9630101727). |
| 1.25 | | | SRU1 packed gland housing gasket corrected to part number 5198.201 and item number to 9630062179 and quantity to 1 per pump as per CH5234 (1997). |
| 1.26 | | | Packed gland housing stud nuts corrected as per CH5093 (1996). |
| 1.27 | | | SRU4-6 gland followers corrected to split type as per CH4831 (1994). |
| 1.28 | | | SRU2 Pump drg. Item no. 2 dowel, part number corrected to 5170.025 and item number to 9630030093. |
| 1.29 | | | SRU3 Packed gland stud corrected to part number 6350.144 and item 9630058750 as per CH5654 (1999). |
| 2 | 0211 | 01-11-2002 | NEW MANUAL SRU |
| 2.01 | | 13-05-2002 | Part numbers and item numbers of SRU4 Cover/Spline Sealing kits on p.35 corrected. |
| 3 | 0503 | 01-03-2005 | Manual updated to include latest R90 and Hyclean seal drawings and parts list. |
| 3.01 | CH10707 | 01-03-2005 | Hyclean drive and auxiliary shafts now only available in Duplex material. Hyclean stainless steel shaft part numbers removed (SRU2 - 6100.656 & 6110.656, SRU3 - 6100.657 & 6110.657, SRU4 - 6100.658 & 6110.658, SRU5 - 6100.659 & 6110.659, SRU6 - 6100.708 & 6110.708). |
| 3.02 | CH10672 | 01-03-2005 | Note added to p.39, 40, 50, 51 and 52 relating to use of double wave springs. |
| 3.03 | | 30-01-2006 | Rotorcase body part numbers table modified. |
| 3.04 | CH-10981 | 30-01-2006 | NBR, EPDM and PTFE Spacer 'O' ring options removed, leaving only FPM available. |
| 3.05 | | 30-01-2006 | Hyclean stainless steel shaft part numbers previously removed now reinstated (SRU2 - 6100.656 & 6110.656, SRU3 - 6100.657 & 6110.657, SRU4 - 6100.658 & 6110.658, SRU5 - 6100.659 & 6110.659, SRU6 - 6100.708 & 6110.708). |
| 3.06 | CH-10992 | 30-01-2006 | EPDM USP Class VI 'O' rings and seals p.69 added. |
| 3.07 | | 30-01-2006 | Electropolished parts p.70-72 added. |
| 3.08 | | 28-02-2006 | ATEX parts added. |
| 3.09 | CH-10702 | 28-02-2006 | Feet gaskets removed SRU1-4. Exploded view drawings amended. |
| 3.10 | CH-10847 | 28-02-2006 | SRU3 Vertically ported foot part number changed from 5225.403.00 to 5225.413.00 |
| 4 | 0603 | 01-03-2006 | NEW ISSUE |
| 4.01 | | 08-04-2008 | Item number corrected to 9630031929 for SRU6 'O' ring for Hyclean single flushed seal conversion kit. |
| 4.02 | | 08-04-2008 | Bonded washer part number 31499.5916.1 added to ATEX parts. |
| 4.03 | | 08-04-2008 | Item number corrected to 9630878758 for SRU3 vertically ported foot. |
| 4.04 | CH-11028 | 08-04-2008 | Part number 6150.324 and item number 9630101746 added to shim set for SRU6 pressure relief valve parts. |
| 4.05 | | 08-04-2008 | Note referring to qty of packing rings amended on p.62 and p.63 |
| 4.06 | | 08-04-2008 | Part and item corrected to 5380.292 (9630031929) for SRU5/116 'O' ring for rectangular-round adaptor. |
| 4.07 | | 07-07-2008 | Part and item numbers added for SRU6 'O' ring for rectangular-round adaptor. |
| 4.08 | | 07-07-2008 | For SRU2-6 Rotary Seal Assembly description corrected to show drive ring included in 74B and not 74A. |
| 4.09 | | 07-07-2008 | Service Kits added to include Cover/Sealing Kits and R90/Hyclean Single Mechanical Seals. |