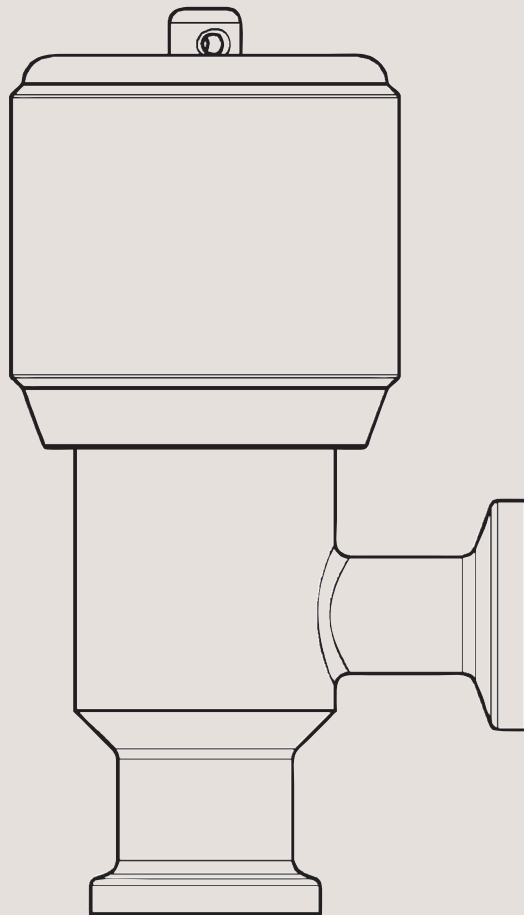


# Instruction Manual

## 660 Fractional Valve



ESE03382-ENUS1 2016-09

Original manual

## Table of contents

---

*The information herein is correct at the time of issue but may be subject to change without prior notice*

<b>1. Safety</b> .....	<b>4</b>
1.1. Important Information .....	4
<b>2. Introduction</b> .....	<b>5</b>
<b>3. Maintenance</b> .....	<b>6</b>
<b>4. Spare Parts</b> .....	<b>8</b>



**CSI**

CONTACT CSI FOR MORE INFORMATION | [CSIDESIGNS.COM](http://CSIDESIGNS.COM) | [SALES@CSIDESIGNS.COM](mailto:SALES@CSIDESIGNS.COM) | 417.831.1411

# 1 Safety

---

*Always use Alfa Laval genuine spare parts.*

*The warranty of Alfa Laval products is dependent on the use of Alfa Laval genuine spare parts.*

---

## 1.1 Important Information

---

**Safety is very important! DO NOT** attempt to modify any Alfa Laval product. To do so could create unsafe conditions and void all warranties. **DO NOT** place any Tri-Clover product in an application where general product service ratings are exceeded.

The following **DANGER**, **WARNING**, and **CAUTION** signs and their meanings are used within these instructions.



### **DANGER**

Indicates an imminently hazardous situation which, if not avoided, will result in death or serious injury. The word Danger is used in the most extreme cases.



### **WARNING**

Indicates that special procedures must be followed to avoid damage to the valve.



### **CAUTION**

Indicates a potentially hazardous situation which, if not avoided, may result in minor or moderate injury. May also be used to alert against an unsafe operating or maintenance practice.

---



**CSI**

CONTACT CSI FOR MORE INFORMATION | [CSIDESIGNS.COM](http://CSIDESIGNS.COM) | [SALES@CSIDESIGNS.COM](mailto:SALES@CSIDESIGNS.COM) | 417.831.1411

---

This manual contains disassembly and reassembly instructions, with parts lists, for the Series 660 Manual Sanitary Valves.

Series 660 Sample Valve is available in ½" (12.7mm) Tri-Clamp® or ½" (12.7mm) Tri-Clamp inlet and ¼" (6.4mm) Hosebarb outlet. The seat is available with an o-ring seal. The valve is available with a manual actuator of UHMW or bronze material.

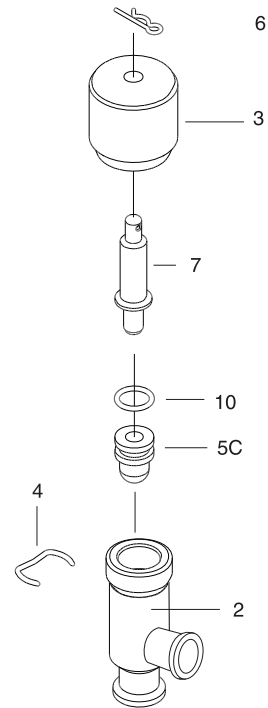
---

### 3 Maintenance

*Always use Alfa Laval genuine spare parts.*

#### SERIES 660 - DISASSEMBLY

1. Remove cotter pin (6) and unscrew the valve handle (3).
2. Remove the clip (4) from the valve body (2).
3. Remove the stem assembly (7).
4. Remove plug (5c) from stem (7) by turning counterclockwise while holding stem stationary.
5. Remove the plug o-ring (10).



#### VALVE INSPECTION

- Inspect the valve seats in the valve bodies for nicks, scratches and other irregularities that can damage the plug.
- Examine the gaskets used at the port connections and plug o-ring or lip seal for cuts, abrasions or other damage that would allow leakage or ineffective cleaning.
- Carefully examine all o-rings for cuts, abrasions or damage that would allow leakage or ineffective cleaning.
- Replace worn or damaged parts. Spray o-rings and lip seals with L-1011B Sanitary Lubricant.
- Operate all valves after assembly to be sure they are operating correctly.



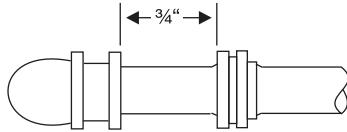
**CSI**

CONTACT CSI FOR MORE INFORMATION | [CSIDESIGNS.COM](http://CSIDESIGNS.COM) | [SALES@CSIDESIGNS.COM](mailto:SALES@CSIDESIGNS.COM) | 417.831.1411

Always use Alfa Laval genuine spare parts.

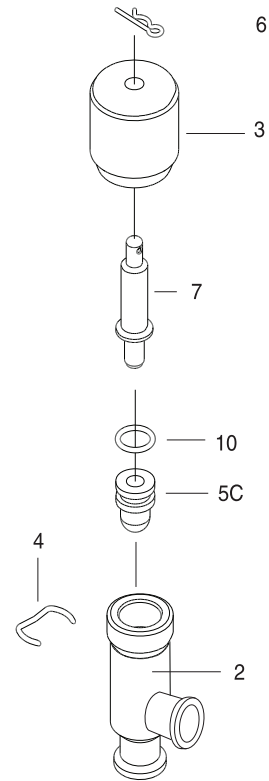
#### SERIES 660 - REASSEMBLY

1. Replace the plug o-ring (10), if necessary.
2. Hand thread the plug (5c) onto the stem (7). The plug is properly installed when the distance between the top of the plug and the shoulder on the stem is  $\frac{3}{4}$ " (19mm). Refer to the figure below. If  $\frac{3}{4}$ " (19mm) dimension is not obtained, check the plug and stem to determine the cause of problem.



*Item 5C Shown*

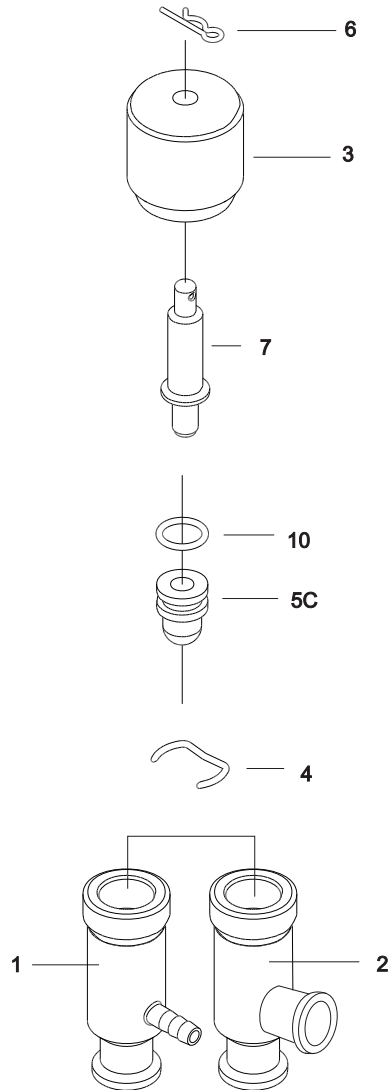
3. Place the stem (7) with the plug (5c) attached into the valve body (2).
4. Place the clip (4) around the outside of the valve body (2) just beneath the threads, so that the clip rests in the clip slot on the body.
5. Replace the handle (3) and insert the cotter pin (6) into the hole in the top of the stem (7).



## 4 Spare Parts

*Always use Alfa Laval genuine spare parts.*

*The warranty of Alfa Laval products is dependent on the use of Alfa Laval genuine spare parts.*



## 4 Spare Parts

*Always use Alfa Laval genuine spare parts.*

*The warranty of Alfa Laval products is dependent on the use of Alfa Laval genuine spare parts.*

### Parts list

Pos.	Qty	Denomination
1	1	Valve body 1/2 clamp x 1/4 hose barb
2	1	Valve body 1/2 x 1/2 clamp
3	1	Handle
4	1	Clip
5C <input type="checkbox"/>	1	PTFE plug w/ o-ring (o-ring not included)
6	1	Pin
7	1	Stem
10 <input type="checkbox"/>	1	Plug o ring for #5c plug only

### Service kits

	Denomination	
<input type="checkbox"/>	Service Kit .....	9613990135



**CSI**

CONTACT CSI FOR MORE INFORMATION | CSIDESIGNS.COM | SALES@CSIDESIGNS.COM | 417.831.1411



#### **How to contact Alfa Laval**

Contact details for all countries are continually updated on our website.

Please visit [www.alfalaval.com](http://www.alfalaval.com) to access the information directly.

© Alfa Laval Corporate AB

This document and its contents is owned by Alfa Laval Corporate AB and protected by laws governing intellectual property and thereto related rights. It is the responsibility of the user of this document to comply with all applicable intellectual property laws. Without limiting any rights related to this document, no part of this document may be copied, reproduced or transmitted in any form or by any means (electronic, mechanical, photocopying, recording, or otherwise), or for any purpose, without the expressed permission of Alfa Laval Corporate AB. Alfa Laval Corporate AB will enforce its rights related to this document to the fullest extent of the law, including the seeking of criminal prosecution.



**CSI**

CONTACT CSI FOR MORE INFORMATION | [CSIDESIGNS.COM](http://CSIDESIGNS.COM) | [SALES@CSIDESIGNS.COM](mailto:SALES@CSIDESIGNS.COM) | 417.831.1411