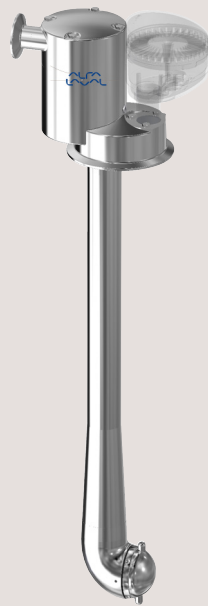




## Spare Parts

Alfa Laval Toftejorg SaniJet 20, Media Driven



EPS00146-EN4 2016-04

Original manual



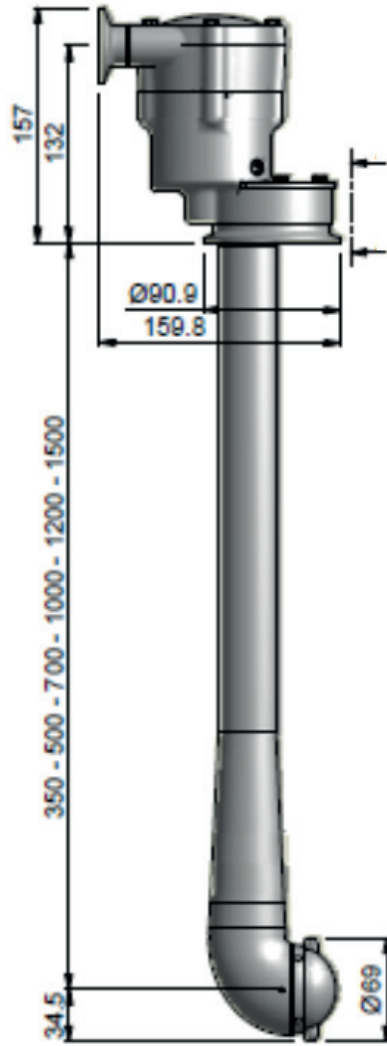
## Table of contents

---

*The information herein is correct at the time of issue but may be subject to change without prior notice*

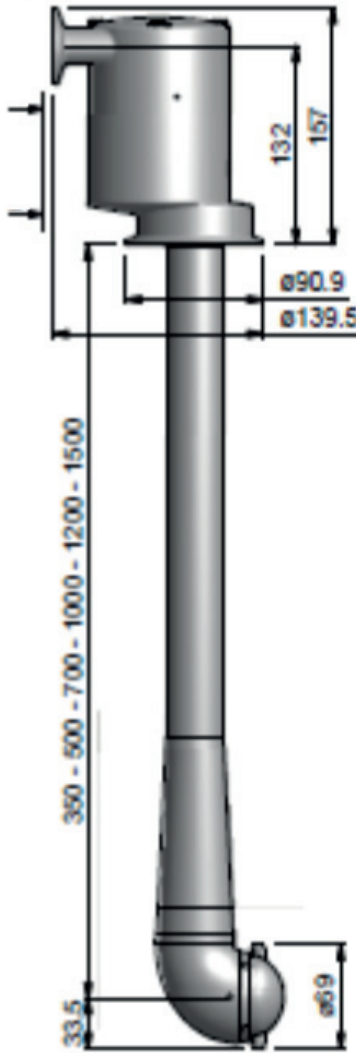
1. Comparison drawings - old and new machine design .....	4
2. Toftejorg SaniJet 20 Media Driven Machine design released August 2012: Item numbers TE24Xxxx .....	6
3. Toftejorg SaniJet 20 Media Driven Machine design obsolete August 2012: Item numbers TE20Xxxx .....	14

# 1 Comparison drawings - old and new machine design

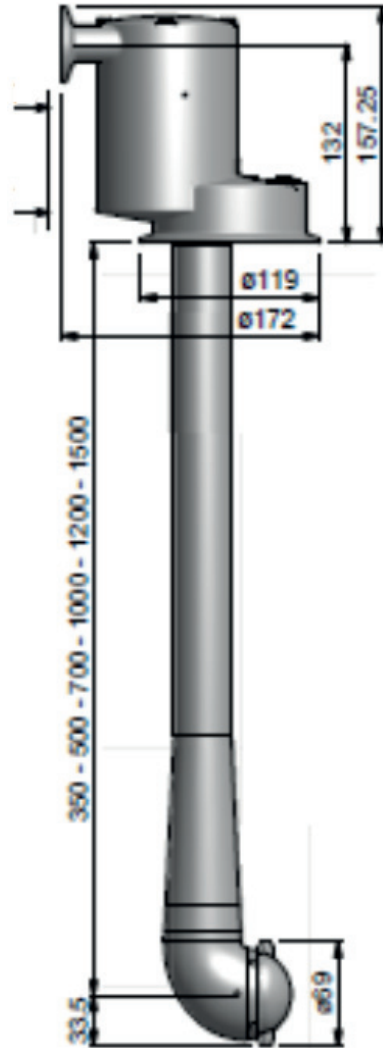


Old design

# 1 Comparison drawings - old and new machine design



New design 3"



New design 4"

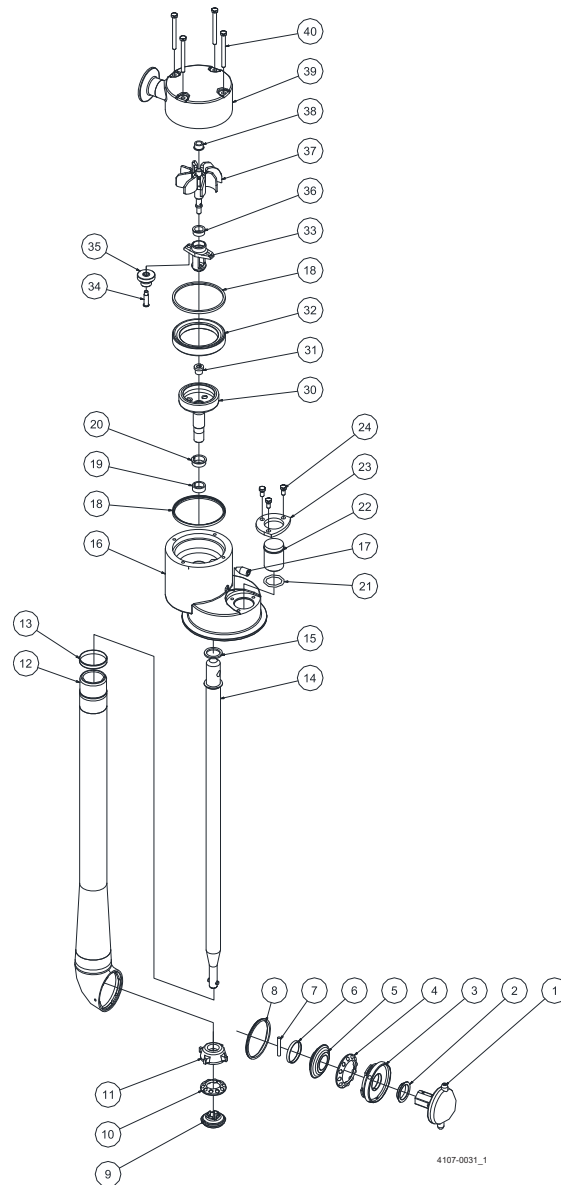


Figure 1. Alfa Laval Toftejorg SaniJet 20, Media Driven - New Version  
item numbers TE24Xxxx

**Toftejorg SaniJet 20 Media Driven**  
**Machine design released August 2012: Item numbers TE24Xxxx**

**Toftejorg SaniJet 20 Media Driven - new design**

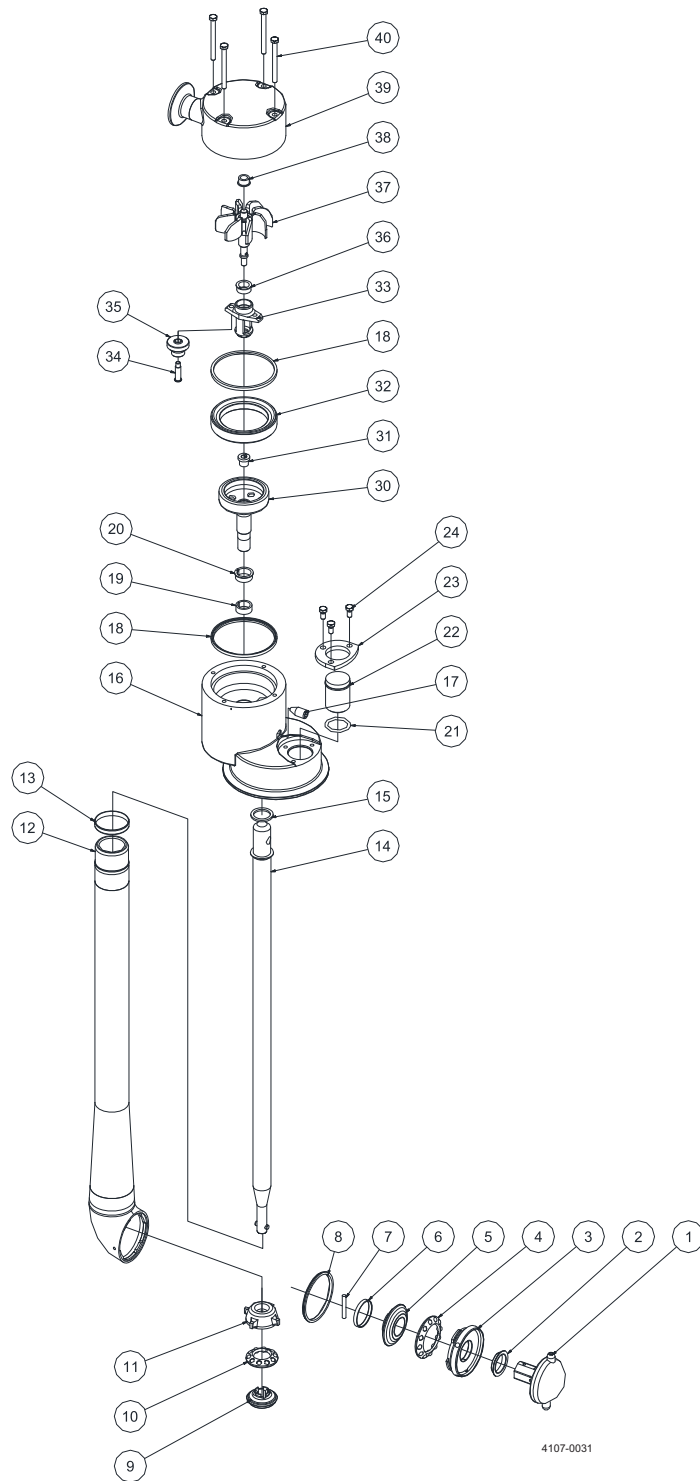
Pos	Qty	Denomination	Item no. for 4" version	Item no. for 3" version	Material	Remarks
<b>Toftejorg SaniJet 20, Media Driven (EPDM as standard)</b>						
1	<input type="checkbox"/>	1 Cleaner head 2xø3.8mm	TE20B335	TE20B335	Stainless steel	Spare part
	<input type="checkbox"/>	1 Cleaner head 4xø4.2mm	TE20B336	TE20B336	Stainless steel	Spare part
2		1 Bearing bush	TE20B554	TE20B554	Polymer	Wear part
3		1 Retaining ring	TE20B552	TE20B552	Stainless steel	Wear part
4		1 Ball ring N	TE20B365	TE20B365	Polymer/Titanium	Wear part
5		1 Bevel gear	TE20B550	TE20B550	Stainless steel	Wear part
6		1 Clip ring	TE20B571	TE20B571	Stainless steel	Spare part
7		1 Pin	TE20B572	TE20B572	Stainless steel	Spare part
8	<input type="checkbox"/>	1 Seal ring H	TE20B553	TE20B553	EPDM	Wear part
	<input type="checkbox"/>	1 Seal ring H	TE20B55301	TE20B55301	FPM (Viton)	Wear part
	<input type="checkbox"/>	1 Seal ring H	TE20C553	TE20C553	FFKM	Wear part
9		1 Bevel gear	TE20B542	TE20B542	Stainless steel	Wear part
10		1 Ball ring	TE20B364	TE20B364	Polymer/Titanium	Wear part
11		1 Ball race	TE20B539	TE20B539	Stainless steel	Wear part
12	<input type="checkbox"/>	1 Outer tube, L = 350 mm	TE20B310	TE20B310	Stainless steel	Spare part
	<input type="checkbox"/>	1 Outer tube, L = 500 mm	TE20B311	TE20B311	Stainless steel	Spare part
	<input type="checkbox"/>	1 Outer tube, L = 700 mm	TE20B312	TE20B312	Stainless steel	Spare part
	<input type="checkbox"/>	1 Outer tube, L = 1000 mm	TE20B313	TE20B313	Stainless steel	Spare part
	<input type="checkbox"/>	1 Outer tube, L = 1200 mm	TE20B314	TE20B314	Stainless steel	Spare part
	<input type="checkbox"/>	1 Outer tube, L = 1500 mm	TE20B315	TE20B315	Stainless steel	Spare part
13		1 Bearing ring	TE20B510	TE20B510	Polymer	Wear part
14	<input type="checkbox"/>	1 Inner shaft, L = 350 mm	TE20B538	TE20B538	Stainless steel	Spare part
	<input type="checkbox"/>	1 Inner shaft, L = 500 mm	TE20B532	TE20B532	Stainless steel	Spare part
	<input type="checkbox"/>	1 Inner shaft, L = 700 mm	TE20B533	TE20B533	Stainless steel	Spare part
	<input type="checkbox"/>	1 Inner shaft, L = 1000 mm	TE20B534	TE20B534	Stainless steel	Spare part
	<input type="checkbox"/>	1 Inner shaft, L = 1200 mm	TE20B535	TE20B535	Stainless steel	Spare part
	<input type="checkbox"/>	1 Inner shaft, L = 1500 mm	TE20B536	TE20B536	Stainless steel	Spare part
15	<input type="checkbox"/>	1 Plain seal	TE20B511	TE20B511	EPDM	Wear part
	<input type="checkbox"/>	1 Plain seal	TE20B51101	TE20B51101	FPM (Viton)	Wear part
	<input type="checkbox"/>	1 Plain seal	TE20C511	TE20C511	FFKM	Wear part
16		1 Base housing			Stainless steel	*Note
17		1 Retaining screw	TE20B512	TE20B512	Stainless steel	Spare part
18	<input type="checkbox"/>	2 Gasket	TE20B516	TE20B516	EPDM	Wear part
	<input type="checkbox"/>	2 Gasket	TE20B51601	TE20B51601	FPM (Viton)	Wear part
	<input type="checkbox"/>	2 Gasket	TE20C516	TE20C516	FFKM	Wear part
19		1 Bearing bush	TE20B514	TE20B514	Polymer	Wear part
20		1 Bearing bush	TE20B513	TE20B513	Polymer	Wear part
21	<input type="checkbox"/>	1 O-ring	TE51T127	-	EPDM	Wear part
	<input type="checkbox"/>	1 O-ring	TE51T008	-	FPM (Viton)	Wear part
	<input type="checkbox"/>	1 O-ring	TE51T129	-	FFKM	Wear part
22		1 Plug	TE20B642	-	Stainless steel	Spare part
23		1 Bracket	TE24G594	-	Stainless steel	Spare part
24	3	Screw	TE51A172	-	Stainless steel	Spare part
30		1 Output shaft	TE20B598	TE20B598	Stainless steel	Wear part
31		1 Bearing bush	TE20B588	TE20B588	Polymer	Wear part
32		1 Gear ring T2	TE20B593	TE20B593	Stainless steel	Wear part
33		1 Planet wheel carrier	TE20B589	TE20B589	Stainless steel	Spare part
34		1 Shaft f. planet wheel	TE20B591	TE20B591	Stainless steel	Wear part
35		1 Planet wheel T2	TE20B590	TE20B590	Polymer	Wear part
36		1 Bearing bush	TE20B600	TE20B600	Polymer	Wear part
37		1 Impeller w. shaft	TE20B585	TE20B585	Polymer/Stainless steel	Spare part
38		1 Bearing bush	TE20B587	TE20B587	Polymer	Wear part
39	<input type="checkbox"/>	1 Inlet cap ø23	TE24B371	TE24B371	Stainless steel	Spare part
	<input type="checkbox"/>	1 Inlet cap ø11	TE24B372	TE24B372	Stainless steel	Spare part
40	4	Screw	TE51A224	TE51A224	Stainless steel	Spare part

Please note that some of the polymer parts are in PEEK, which is not resistant to concentrated sulfuric acid.

Configuration according to delivery note/order

\*Note: Pos. 16 is not sold as single spare part component but only as part of a machine maintenance/repair order. For further information please contact Alfa Laval Customer Support.

Alfa Laval Toftejorg SaniJet 20, Media Driven - New Version



4107-0031

**Toftejorg SaniJet 20 Media Driven**  
**Machine design released August 2012: Item numbers TE24Xxxx**

Toftejorg SaniJet 20 media driven with improved surface finish (EPDM as standard)

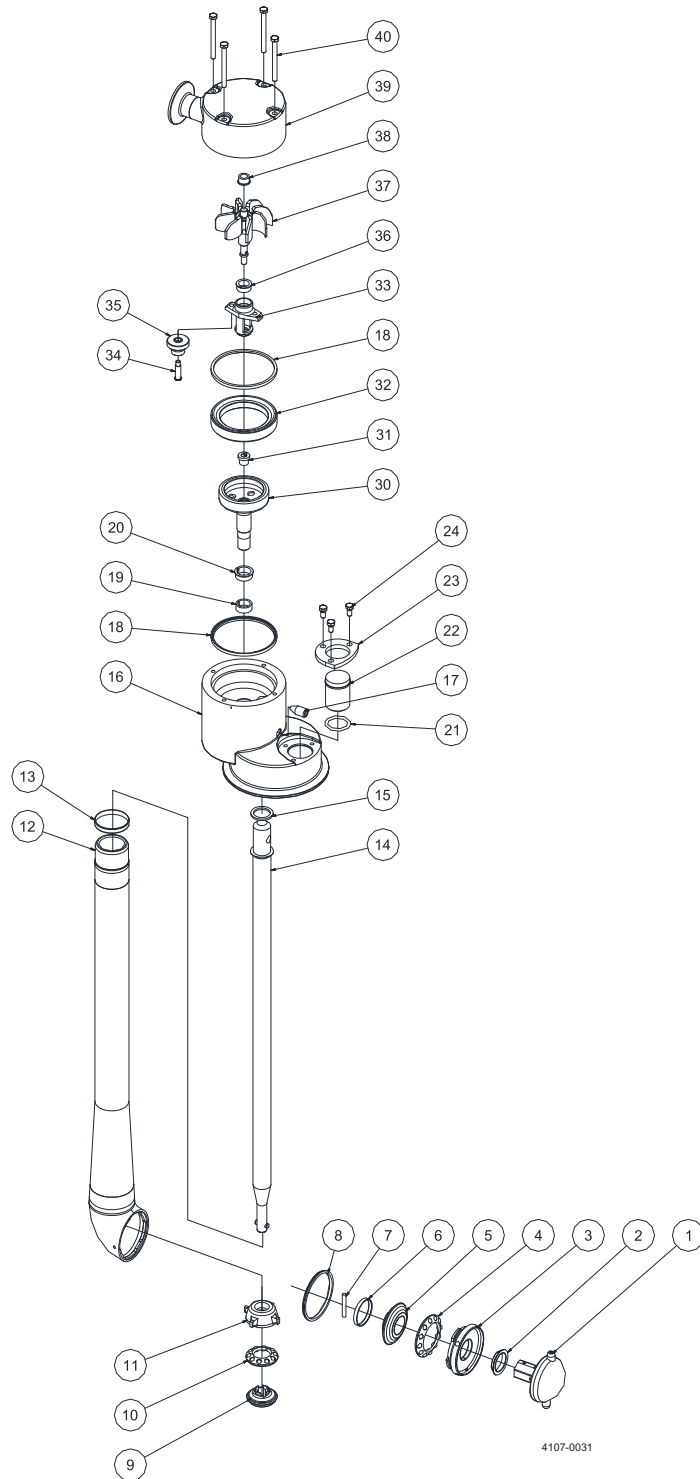
Pos	Qty	Denomination	Item no. for 4" version	Item no. for 3" version	Material	Remarks
1	<input type="checkbox"/>	1 Cleaner head 2xø3.8mm	TE20E335	TE20E335	Stainless steel	Spare part
	<input type="checkbox"/>	1 Cleaner head 4xø4.2mm	TE20E336	TE20E336	Stainless steel	Spare part
2	1	Bearing bush	TE20B554	TE20B554	Polymer	Wear part
3	1	Retaining ring	TE20E552	TE20E552	Stainless steel	Wear part
4	1	Ball ring N	TE20B365	TE20B365	Polymer/Titanium	Wear part
5	1	Bevel gear	TE20E550	TE20E550	Stainless steel	Wear part
6	1	Clip ring	TE20E571	TE20E571	Stainless steel	Spare part
7	1	Pin	TE20B572	TE20B572	Stainless steel	Spare part
8	<input type="checkbox"/>	1 Seal ring H	TE20B553	TE20B553	EPDM	Wear part
	<input type="checkbox"/>	1 Seal ring H	TE20B55301	TE20B55301	FPM (Viton)	Wear part
	<input type="checkbox"/>	1 Seal ring H	TE20C553	TE20C553	FFKM	Wear part
9	1	Bevel gear	TE20E542	TE20E542	Stainless steel	Wear part
10	1	Ball ring	TE20B364	TE20B364	Polymer/Titanium	Wear part
11	1	Ball race	TE20E539	TE20E539	Stainless steel	Wear part
12	<input type="checkbox"/>	1 Outer tube, L = 350 mm	TE20E310	TE20E310	Stainless steel	Spare part
	<input type="checkbox"/>	1 Outer tube, L = 500 mm	TE20E311	TE20E311	Stainless steel	Spare part
	<input type="checkbox"/>	1 Outer tube, L = 700 mm	TE20E312	TE20E312	Stainless steel	Spare part
	<input type="checkbox"/>	1 Outer tube, L = 1000 mm	TE20E313	TE20E313	Stainless steel	Spare part
	<input type="checkbox"/>	1 Outer tube, L = 1200 mm	TE20E314	TE20E314	Stainless steel	Spare part
	<input type="checkbox"/>	1 Outer tube, L = 1500 mm	TE20E315	TE20E315	Stainless steel	Spare part
13	1	Bearing ring	TE20B510	TE20B510	Polymer	Wear part
14	<input type="checkbox"/>	1 Inner shaft, L = 350 mm	TE20E538	TE20E538	Stainless steel	Spare part
	<input type="checkbox"/>	1 Inner shaft, L = 500 mm	TE20E532	TE20E532	Stainless steel	Spare part
	<input type="checkbox"/>	1 Inner shaft, L = 700 mm	TE20E533	TE20E533	Stainless steel	Spare part
	<input type="checkbox"/>	1 Inner shaft, L = 1000 mm	TE20E534	TE20E534	Stainless steel	Spare part
	<input type="checkbox"/>	1 Inner shaft, L = 1200 mm	TE20E535	TE20E535	Stainless steel	Spare part
	<input type="checkbox"/>	1 Inner shaft, L = 1500 mm	TE20E536	TE20E536	Stainless steel	Spare part
15	1	Plain seal	TE20B511	TE20B511	EPDM	Wear part
	<input type="checkbox"/>	1 Plain seal	TE20B51101	TE20B51101	FPM (Viton)	Wear part
	<input type="checkbox"/>	1 Plain seal	TE20C511	TE20C511	FFKM	Wear part
16	1	Base housing			Stainless steel	*Note
17	1	Retaining screw	TE20B512	TE20B512	Stainless steel	Spare part
18	<input type="checkbox"/>	2 Gasket	TE20B516	TE20B516	EPDM	Wear part
	<input type="checkbox"/>	2 Gasket	TE20B51601	TE20B51601	FPM (Viton)	Wear part
	<input type="checkbox"/>	2 Gasket	TE20C516	TE20C516	FFKM	Wear part
19	1	Bearing bush	TE20B514	TE20B514	Polymer	Wear part
20	1	Bearing bush	TE20B513	TE20B513	Polymer	Wear part
21	<input type="checkbox"/>	1 O-ring	TE51T127	-	EPDM	Wear part
	<input type="checkbox"/>	1 O-ring	TE51T008	-	FPM (Viton)	Wear part
	<input type="checkbox"/>	1 O-ring	TE51T129	-	FFKM	Wear part
22	1	Plug	TE20E642	-	Stainless steel	Spare part
23	1	Bracket	TE24F594	-	Stainless steel	Spare part
24	3	Screw	TE20E654	-	Stainless steel	Spare part
30	1	Output shaft	TE20E598	TE20E598	Stainless steel	Wear part
31	1	Bearing bush	TE20B588	TE20B588	Polymer	Wear part
32	1	Gear ring T2	TE20E593	TE20E593	Stainless steel	Wear part
33	1	Planet wheel carrier	TE20E589	TE20E589	Stainless steel	Spare part
34	1	Shaft f. planet wheel	TE20E591	TE20E591	Stainless steel	Wear part
35	1	Planet wheel T2	TE20B590	TE20B590	Polymer	Wear part
36	1	Bearing bush	TE20B600	TE20B600	Polymer	Wear part
37	1	Impeller w. shaft	TE20B585	TE20B585	Polymer/Stainless steel	Spare part
38	1	Bearing bush	TE20B587	TE20B587	Polymer	Wear part
39	<input type="checkbox"/>	1 Inlet cap ø23	TE24E371	TE24E371	Stainless steel	Spare part
	<input type="checkbox"/>	1 Inlet cap ø11	TE24E372	TE24E372	Stainless steel	Spare part
40	4	Screw	TE20E653	TE20E653	Stainless steel	Spare part

Please note that some of the polymer parts are in PEEK, which is not resistant to concentrated sulfuric acid.

Configuration according to delivery note/order

\*Note: Pos. 16 is not sold as single spare part component but only as part of a machine maintenance/repair order. For further information please contact Alfa Laval Customer Support.

Toftejorg SaniJet 20, Media Driven - New Version



**Toftejorg SaniJet 20 Media Driven**  
**Machine design released August 2012: Item numbers TE24Xxxx**

Toftejorg SaniJet 20 media driven, Hastelloy version (FFKM as standard)

Pos	Qty	Denomination	Item no. for 4" version	Item no. for 3" version	Material	Remarks
1	<input type="checkbox"/>	1 Cleaner head 2xø3.8mm	TE20C335	TE20C335	Alloy	Spare part
	<input type="checkbox"/>	1 Cleaner head 4xø4.2mm	TE20C336	TE20C336	Alloy	Spare part
2		1 Bearing bush	TE20B554	TE20B554	Polymer	Wear part
3		1 Retaining ring	TE20C552	TE20C552	Alloy	Wear part
4		1 Ball ring N	TE20C361	TE20C361	Polymer/Alloy	Wear part
5		1 Bevel gear	TE20C550	TE20C550	Alloy	Wear part
6		1 Clip ring	TE20C571	TE20C571	Alloy	Spare part
7		1 Pin	TE20C655	TE20C655	Alloy	Spare part
8		1 Seal ring H	TE20C553	TE20C553	FFKM	Wear part
9		1 Bevel gear	TE20C542	TE20C542	Stainless steel	Wear part
10		1 Ball ring	TE20C360	TE20C360	Polymer/Titanium	Wear part
11		1 Ball race	TE20C539	TE20C539	Stainless steel	Wear part
12	<input type="checkbox"/>	1 Outer tube, L = 350 mm	TE20C310	TE20C310	Stainless steel	Spare part
	<input type="checkbox"/>	1 Outer tube, L = 500 mm	TE20C311	TE20C311	Stainless steel	Spare part
	<input type="checkbox"/>	1 Outer tube, L = 700 mm	TE20C312	TE20C312	Stainless steel	Spare part
	<input type="checkbox"/>	1 Outer tube, L = 1000 mm	TE20C313	TE20C313	Stainless steel	Spare part
	<input type="checkbox"/>	1 Outer tube, L = 1200 mm	TE20C314	TE20C314	Stainless steel	Spare part
	<input type="checkbox"/>	1 Outer tube, L = 1500 mm	TE20C315	TE20C315	Stainless steel	Spare part
13		1 Bearing ring	TE20B510	TE20B510	Polymer	Wear part
14	<input type="checkbox"/>	1 Inner shaft, L = 350 mm	TE20C538	TE20C538	Stainless steel	Spare part
	<input type="checkbox"/>	1 Inner shaft, L = 500 mm	TE20C532	TE20C532	Stainless steel	Spare part
	<input type="checkbox"/>	1 Inner shaft, L = 700 mm	TE20C533	TE20C533	Stainless steel	Spare part
	<input type="checkbox"/>	1 Inner shaft, L = 1000 mm	TE20C534	TE20C534	Stainless steel	Spare part
	<input type="checkbox"/>	1 Inner shaft, L = 1200 mm	TE20C535	TE20C535	Stainless steel	Spare part
	<input type="checkbox"/>	1 Inner shaft, L = 1500 mm	TE20C536	TE20C536	Stainless steel	Spare part
15		1 Plain seal	TE20C511	TE20C511	FFKM	Wear part
16		1 Base housing			Alloy	*Note
17		1 Retaining screw	TE20B512	TE20B512	Stainless steel	Spare part
18		2 Gasket	TE20C516	TE20C516	FFKM	Wear part
19		1 Bearing bush	TE20B514	TE20B514	Polymer	Wear part
20		1 Bearing bush	TE20B513	TE20B513	Polymer	Wear part
21		1 O-ring	TE51T129	-	FFKM	Wear part
22		1 Plug	TE20C642	-	Stainless steel	Spare part
23		1 Bracket	TE24G594	-	Stainless steel	Spare part
24	3	Screw	TE51A172	-	Stainless steel	Spare part
30		1 Output shaft	TE20C598	TE20C598	Alloy	Wear part
31		1 Bearing bush	TE20B588	TE20B588	Polymer	Wear part
32		1 Gear ring T2	TE20C593	TE20C593	Alloy	Wear part
33		1 Planet wheel carrier	TE20C589	TE20C589	Alloy	Spare part
34		1 Shaft f. planet wheel	TE20C591	TE20C591	Alloy	Wear part
35		1 Planet wheel T2	TE20B590	TE20B590	Polymer	Wear part
36		1 Bearing bush	TE20B600	TE20B600	Polymer	Wear part
37	<input type="checkbox"/>	1 Impeller	TE20B583	TE20B583	Polymer	Spare part
	<input type="checkbox"/>	1 Impeller shaft	TE20C582	TE20C582	Alloy	Wear part
38		1 Bearing bush	TE20B587	TE20B587	Polymer	Wear part
39	<input type="checkbox"/>	1 Inlet cap ø23	TE24C371	TE24C371	Alloy	Spare part
	<input type="checkbox"/>	1 Inlet cap ø11	TE24C372	TE24C372	Alloy	Spare part
40	4	Screw	TE51A224	TE51A224	Stainless steel	Spare part

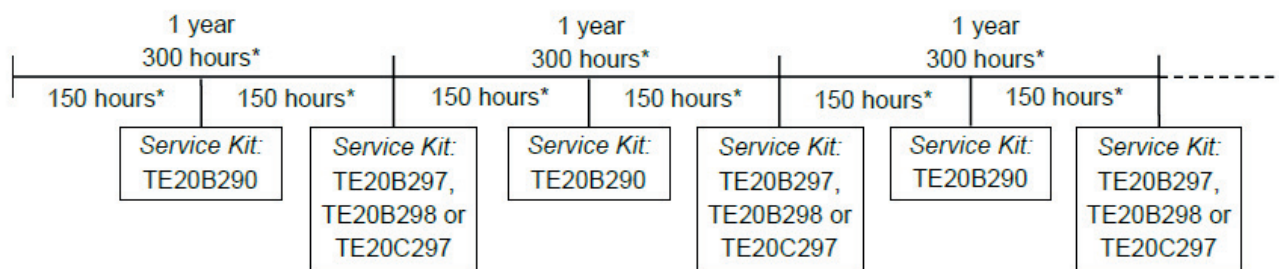
Please note that some of the polymer parts are in PEEK, which is not resistant to concentrated sulfuric acid.

Configuration according to delivery note/order

\*Note: Pos. 16 is not sold as single spare part component but only as part of a machine maintenance/repair order. For further information please contact Alfa Laval Customer Support.

**Toftejorg SaniJet 20 Media Driven**  
**Machine design released August 2012: Item numbers TE24Xxxx**

Service intervals



**Service Kit in EPDM for Toftejorg SaniJet 20 media driven version**

Article no. TE20B297

Pos	Qty	Denomination	Item no.	Material
38	1	Bearing bushing M .....	TE20B587	Polymer
36	1	Bearing bushing D1 .....	TE20B600	Polymer
31	1	Bearing bushing .....	TE20B588	Polymer
18	2	Gasket D .....	TE20B516	EPDM
21	1	O-ring .....	TE51T127	EPDM
15	1	Plain seal S .....	TE20B511	EPDM
13	1	Bearing ring, top .....	TE20B510	Polymer
20	1	Bearing bush D1 .....	TE20B513	Polymer
19	1	Bearing bush D2 .....	TE20B514	Polymer
8	1	Seal ring H .....	TE20B553	EPDM
2	1	Bearing bush .....	TE20B554	Polymer

**Service Kit in FPM (Viton) for Toftejorg SaniJet 20 media driven version**

Article no. TE20B298

Pos	Qty	Denomination	Item no.	Material
38	1	Bearing bushing M .....	TE20B587	Polymer
36	1	Bearing bushing D1 .....	TE20B600	Polymer
31	1	Bearing bushing .....	TE20B588	Polymer
18	2	Gasket D .....	TE20B51601	FPM (Viton)
21	1	O-ring .....	TE51T008	FPM (Viton)
15	1	Plain seal S .....	TE20B51101	FPM (Viton)
13	1	Bearing ring, top .....	TE20B510	Polymer
20	1	Bearing bush D1 .....	TE20B513	Polymer
19	1	Bearing bush D2 .....	TE20B514	Polymer
8	1	Seal ring H .....	TE20B55301	FPM (Viton)
2	1	Bearing bush .....	TE20B554	Polymer

**Service Kit in FFKM (Perlast) for Toftejorg SaniJet 20 media driven version**

Article no. TE20C297

Pos	Qty	Denomination	Item no.	Material
38	1	Bearing bushing M .....	TE20B587	Polymer
36	1	Bearing bushing D1 .....	TE20B600	Polymer
31	1	Bearing bushing .....	TE20B588	Polymer
18	2	Gasket D .....	TE20C516	FFKM
21	1	O-ring .....	TE51T129	FFKM
15	1	Plain seal S .....	TE20C511	FFKM
13	1	Bearing ring, top .....	TE20B510	Polymer
20	1	Bearing bush D1 .....	TE20B513	Polymer
19	1	Bearing bush D2 .....	TE20B514	Polymer
8	1	Seal ring H .....	TE20C553	FFKM
2	1	Bearing bush .....	TE20B554	Polymer

**Toftejorg SaniJet 20 Media Driven**  
**Machine design released August 2012: Item numbers TE24Xxxx**

---

Minor Service Kit for Toftejorg SaniJet 20 media driven version  
Article no. TE20B290

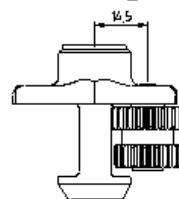
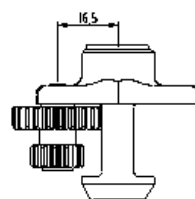
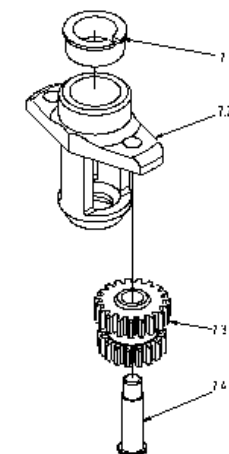
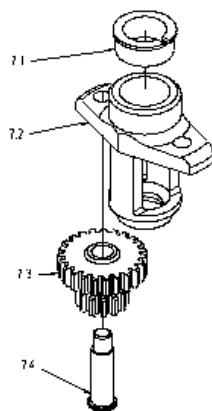
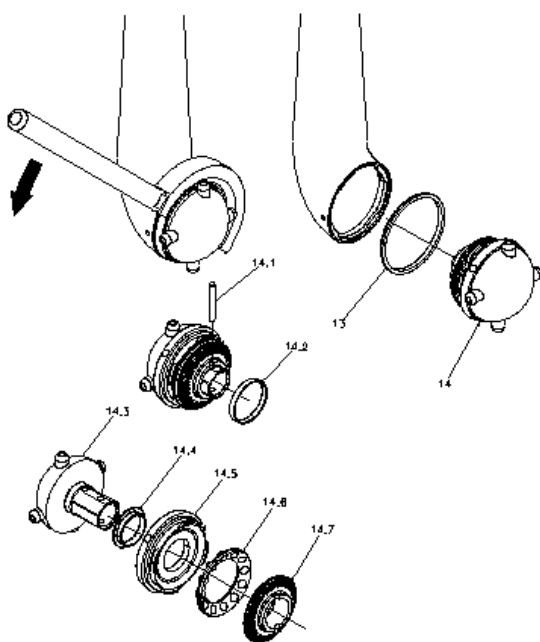
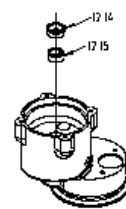
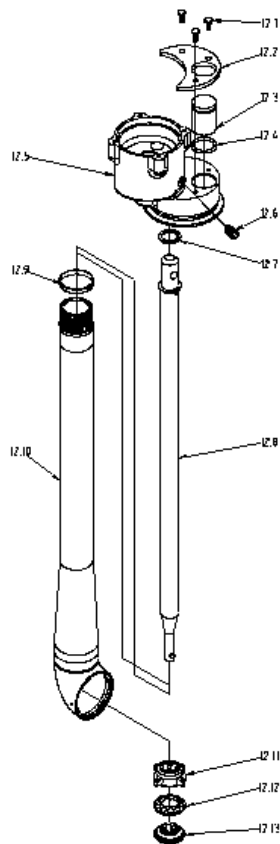
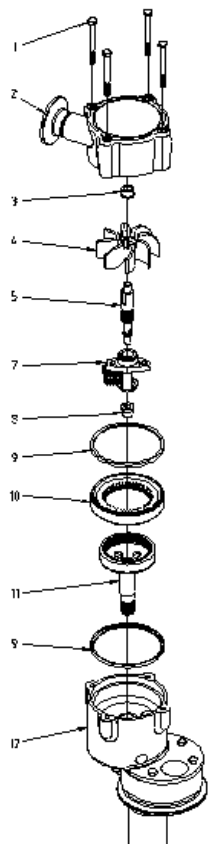
<b>Pos</b>	<b>Qty</b>	<b>Denomination</b>	<b>Item no.</b>	<b>Material</b>
38	1	Bearing bushing M .....	TE20B587	Polymer
36	1	Bearing bushing D1 .....	TE20B600	Polymer
31	1	Bearing bushing .....	TE20B588	Polymer

**Tools**

<b>Pos</b>	<b>Qty</b>	<b>Denomination</b>	<b>Item no.</b>
		8mm Socket Wrench w. pin .....	TE462A
		Hook spanner .....	TE20B701

---

*Not manufactured anymore*



**Toftejorg SaniJet 20 Media Driven**  
**Machine design obsolete August 2012: Item numbers TE20Xxxx**

**Reference list of parts**

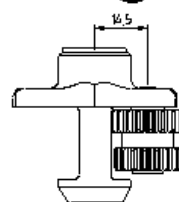
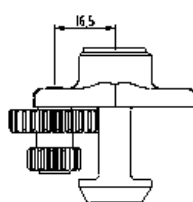
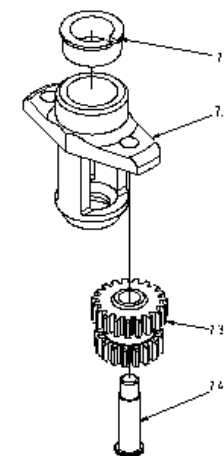
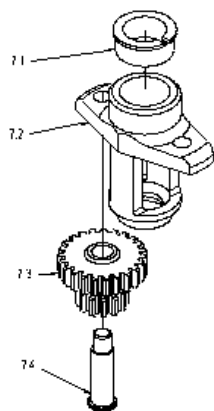
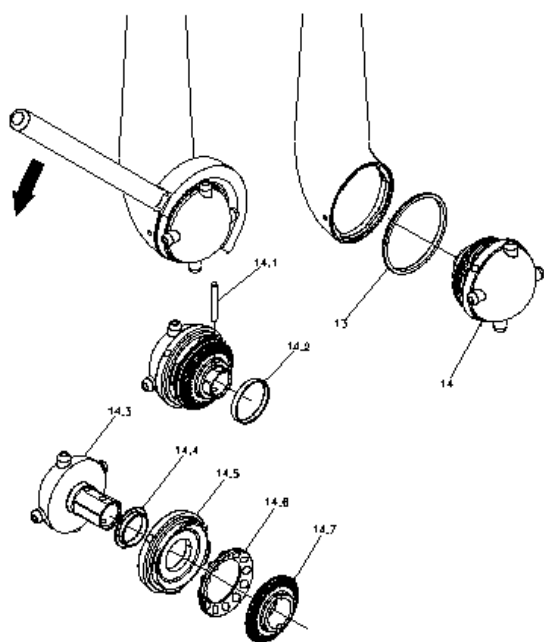
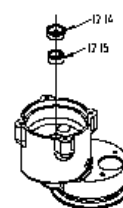
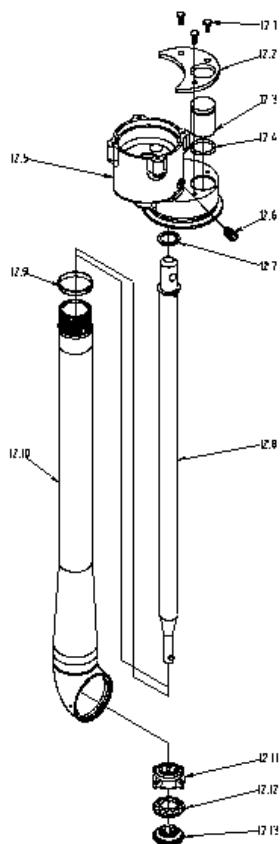
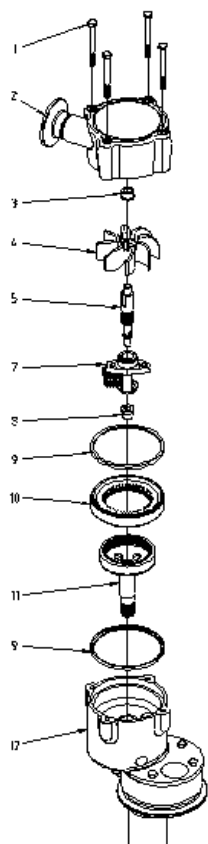
Toftejorg SaniJet 20 Media Driven (EPDM as standard)

Pos	Qty	Denomination	Item no.	Remark
1	4	Screw, Stainless steel	TE51A224	Spare part
2	<input type="checkbox"/>	1 Inlet cap ø23, Stainless steel	TE20B371	Spare part
	<input type="checkbox"/>	1 Inlet cap ø11, Stainless steel	TE20B372	Spare part
3	1	Bearing bush, Polymer	TE20B587	Wear part
4	1	Impeller, Polymer	TE20B583	Spare part
5	1	Impeller shaft, Stainless steel	TE20B582	Spare part
7		Planet gear, Assy		
7.1	1	Bearing bush, Polymer	TE20B600	Wear part
7.2	1	Planet wheel carrier, Stainless steel	TE20B589	Spare part
7.3	<input type="checkbox"/>	1 Planet wheel t2, Polymer	TE20B590	Wear part
	<input type="checkbox"/>	1 Planet wheel t1, Polymer	TE20B592	Wear part
7.4	1	Shaft f. Planet wheel, Stainless steel	TE20B591	Wear part
8	1	Bearing bush, Polymer	TE20B588	Wear part
9	<input type="checkbox"/>	2 Gasket, EPDM	TE20B516	Wear part
	<input type="checkbox"/>	2 Gasket, FPM (Viton)	TE20B51601	Wear part
	<input type="checkbox"/>	2 Gasket, FFKM	TE20C516	Wear part
10	<input type="checkbox"/>	1 Gear ring t1, Stainless steel	TE20B581	Wear part
	<input type="checkbox"/>	1 Gear ring t2, Stainless steel	TE20B593	Wear part
11	1	Output shaft, Stainless steel	TE20B598	Wear part
12		Base unit, Assy		
12.1	3	Screw, Stainless steel	TE51A172	Spare part
12.2	1	Bracket, Stainless steel	TE20B594	Spare part
12.3	1	Plug, Stainless steel	TE20B642	Spare part
12.4	<input type="checkbox"/>	1 O-ring, EPDM	TE51T127	Wear part
	<input type="checkbox"/>	1 O-ring, FPM (Viton)	TE51T008	Wear part
	<input type="checkbox"/>	1 O-ring, FFKM	TE51T129	Wear part
12.5	1	Base housing, Stainless steel		*Note
12.6	1	Retaining screw, Stainless steel	TE20B512	Spare part
12.7	<input type="checkbox"/>	1 Plain seal, EPDM	TE20B511	Wear part
	<input type="checkbox"/>	1 Plain seal, FPM (Viton)	TE20B51101	Wear part
	<input type="checkbox"/>	1 Plain seal, FFKM	TE20C511	Wear part
12.8	<input type="checkbox"/>	1 Inner shaft, l = 350 mm, Stainless steel	TE20B538	Spare part
	<input type="checkbox"/>	1 Inner shaft, l = 500 mm, Stainless steel	TE20B532	Spare part
	<input type="checkbox"/>	1 Inner shaft, l = 700 mm, Stainless steel	TE20B533	Spare part
	<input type="checkbox"/>	1 Inner shaft, l = 1000 mm, Stainless steel	TE20B534	Spare part
	<input type="checkbox"/>	1 Inner shaft, l = 1200 mm, Stainless steel	TE20B535	Spare part
	<input type="checkbox"/>	1 Inner shaft, l = 1500 mm, Stainless steel	TE20B536	Spare part
12.9	1	Bearing ring, Polymer	TE20B510	Wear part
12.10	<input type="checkbox"/>	1 Outer tube, l = 350 mm, Stainless steel	TE20B310	Spare part
	<input type="checkbox"/>	1 Outer tube, l = 500 mm, Stainless steel	TE20B311	Spare part
	<input type="checkbox"/>	1 Outer tube, l = 700 mm, Stainless steel	TE20B312	Spare part
	<input type="checkbox"/>	1 Outer tube, l = 1000 mm, Stainless steel	TE20B313	Spare part
	<input type="checkbox"/>	1 Outer tube, l = 1200 mm, Stainless steel	TE20B314	Spare part
	<input type="checkbox"/>	1 Outer tube, l = 1500 mm, Stainless steel	TE20B315	Spare part
12.11	1	Ball race, Stainless steel	TE20B539	Wear part
12.12	1	Ball ring, Polymer/stainless steel	TE20B360	Wear part
12.13	1	Bevel gear, Stainless steel	TE20B542	Wear part
12.14	1	Bearing bush, Polymer	TE20B513	Wear part
12.15	1	Bearing bush, Polymer	TE20B514	Wear part
13	<input type="checkbox"/>	1 Seal ring h, EPDM	TE20B553	Wear part
	<input type="checkbox"/>	1 Seal ring h, FPM (Viton)	TE20B55301	Wear part
	<input type="checkbox"/>	1 Seal ring h, FFKM	TE20C553	Wear part
14	<input type="checkbox"/>	1 Cleaner unit, 2xø2.0mm, Assy	TE20B324	
	<input type="checkbox"/>	1 Cleaner unit, 2xø3.8mm, Assy	TE20B325	
	<input type="checkbox"/>	1 Cleaner unit, 4xø4.2mm, Assy	TE20B326	
14.1	1	Pin, Stainless steel	TE51C003	Spare part
14.2	1	Clip ring, Stainless steel	TE20B571	Spare part
14.3	<input type="checkbox"/>	1 Cleaner head 2xø2.0mm, Stainless steel	TE20B334	Spare part
	<input type="checkbox"/>	1 Cleaner head 2xø3.8mm, Stainless steel	TE20B335	Spare part
	<input type="checkbox"/>	1 Cleaner head 4xø4.2mm, Stainless steel	TE20B336	Spare part
14.4	1	Bearing bush, Polymer	TE20B554	Wear part
14.5	1	Retaining ring, Stainless steel	TE20B552	Wear part
14.6	1	Ball ring n, Polymer/stainless steel	TE20B361	Wear part
14.7	1	Bevel gear, Stainless steel	TE20B550	Wear part

Configuration as delivered marked

\*Note: Pos. 12.5 is not sold as single spare part component but only as part of a machine maintenance/repair order.  
 For further information please contact Alfa Laval Customer Support.

*Not manufactured anymore*



**Toftejorg SaniJet 20 Media Driven**  
**Machine design obsolete August 2012: Item numbers TE20Xxxx**

**Reference list of parts**

Toftejorg SaniJet 20, Media Driven with improved surface finish (EPDM as standard)

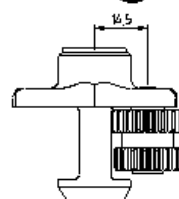
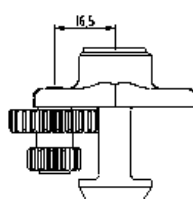
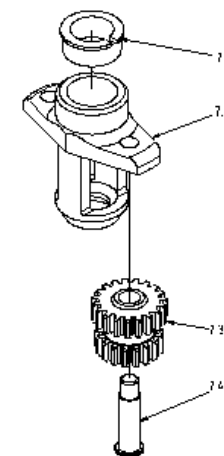
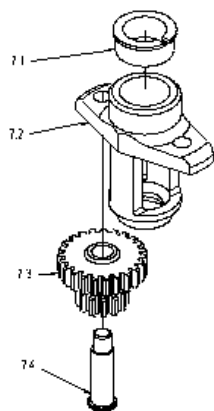
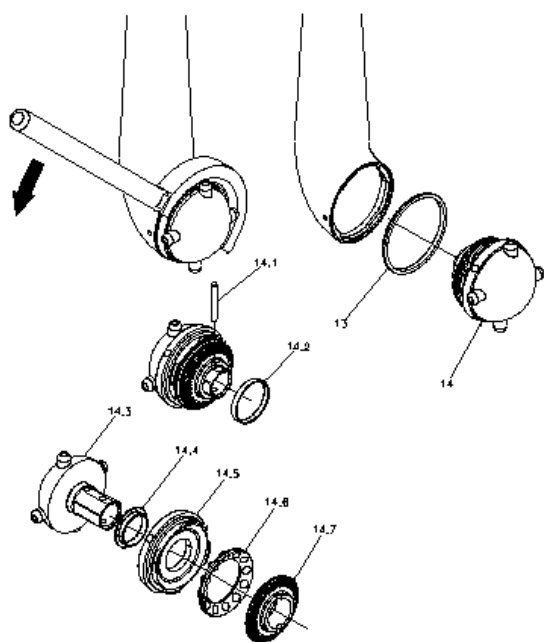
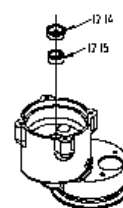
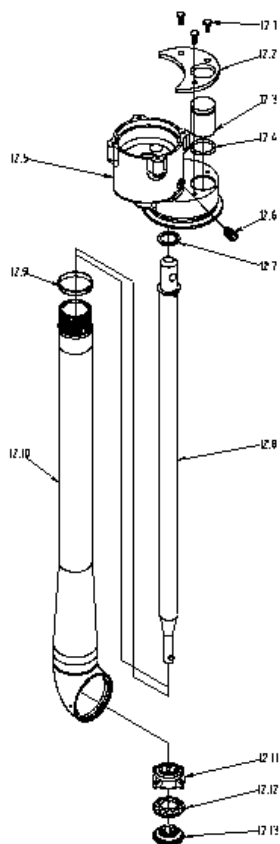
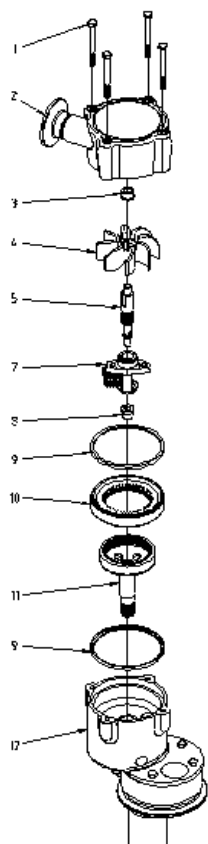
Pos	Qty	Denomination	Item no.	Remark
1	4	Screw, Stainless steel	TE51A224	Spare part
2	<input type="checkbox"/>	1 Inlet cap , Stainless steel	TE20E371	Spare part
	<input type="checkbox"/>	1 Inlet cap , Stainless steel	TE20E372	Spare part
3	1	Bearing bush, Polymer	TE20B587	Wear part
4	1	Impeller, Polymer	TE20B583	Spare part
5	1	Impeller shaft, Stainless steel	TE20E582	Spare part
7		Planet gear, Assy		
7.1	1	Bearing bush, Polymer	TE20B600	Wear part
7.2	1	Planet wheel carrier, Stainless steel	TE20E589	Spare part
7.3	<input type="checkbox"/>	1 Planet wheel t2, Polymer	TE20B590	Wear part
	<input type="checkbox"/>	1 Planet wheel t1, Polymer	TE20B592	Wear part
7.4	1	Shaft f. Planet wheel, Stainless steel	TE20E591	Wear part
8	1	Bearing bush, Polymer	TE20B588	Wear part
9	<input type="checkbox"/>	2 Gasket, EPDM	TE20B516	Wear part
	<input type="checkbox"/>	2 Gasket, FFKM	TE20C516	Wear part
10	<input type="checkbox"/>	1 Gear ring t1, Stainless steel	TE20E581	Wear part
	<input type="checkbox"/>	1 Gear ring t2, Stainless steel	TE20E593	Wear part
11	1	Output shaft, Stainless steel	TE20E598	Wear part
12		Base unit, Assy		
12.1	3	Screw, Stainless steel	TE51A172	Spare part
12.2	1	Bracket, Stainless steel	TE20E594	Spare part
12.3	1	Plug, Stainless steel	TE20E642	Spare part
12.4	<input type="checkbox"/>	1 O-ring, EPDM	TE51T127	Wear part
	<input type="checkbox"/>	1 O-ring, FFKM	TE51T129	Wear part
12.5	1	Base housing, Stainless steel		*Note
12.6	1	Retaining screw, Stainless steel	TE20B512	Spare part
12.7	<input type="checkbox"/>	1 Plain seal, EPDM	TE20B511	Wear part
	<input type="checkbox"/>	1 Plain seal, FFKM	TE20C511	Wear part
12.8	<input type="checkbox"/>	1 Inner shaft, l = 350 mm, Stainless steel	TE20E538	Spare part
	<input type="checkbox"/>	1 Inner shaft, l = 500 mm, Stainless steel	TE20E532	Spare part
	<input type="checkbox"/>	1 Inner shaft, l = 700 mm, Stainless steel	TE20E533	Spare part
	<input type="checkbox"/>	1 Inner shaft, l = 1000 mm, Stainless steel	TE20E534	Spare part
	<input type="checkbox"/>	1 Inner shaft, l = 1200 mm, Stainless steel	TE20E535	Spare part
	<input type="checkbox"/>	1 Inner shaft, l = 1500 mm, Stainless steel	TE20E536	Spare part
12.9	1	Bearing ring, Polymer	TE20B510	Wear part
12.10	<input type="checkbox"/>	1 Outer tube, l = 350 mm, Stainless steel	TE20E310	Spare part
	<input type="checkbox"/>	1 Outer tube, l = 500 mm, Stainless steel	TE20E311	Spare part
	<input type="checkbox"/>	1 Outer tube, l = 700 mm, Stainless steel	TE20E312	Spare part
	<input type="checkbox"/>	1 Outer tube, l = 1000 mm, Stainless steel	TE20E313	Spare part
	<input type="checkbox"/>	1 Outer tube, l = 1200 mm, Stainless steel	TE20E314	Spare part
	<input type="checkbox"/>	1 Outer tube, l = 1500 mm, Stainless steel	TE20E315	Spare part
12.11	1	Ball race, Stainless steel	TE20E539	Wear part
12.12	1	Ball ring, Polymer/stainless steel	TE20B360	Wear part
12.13	1	Bevel gear, Stainless steel	TE20E542	Wear part
12.14	1	Bearing bush, Polymer	TE20B513	Wear part
12.15	1	Bearing bush, Polymer	TE20B514	Wear part
13	<input type="checkbox"/>	1 Seal ring h, EPDM	TE20B553	Wear part
	<input type="checkbox"/>	1 Seal ring h, FFKM	TE20C553	Wear part
14	<input type="checkbox"/>	1 Cleaner unit, 2xø2.0mm, Assy	TE20E324	
	<input type="checkbox"/>	1 Cleaner unit, 2xø3.8mm, Assy	TE20E325	
	<input type="checkbox"/>	1 Cleaner unit, 4xø4.2mm, Assy	TE20E326	
14.1	1	Pin, Stainless steel	TE20B572	Spare part
14.2	1	Clip ring, Stainless steel	TE20E571	Spare part
14.3	<input type="checkbox"/>	1 Cleaner head 2xø2.0mm, Stainless steel	TE20E334	Spare part
	<input type="checkbox"/>	1 Cleaner head 2xø3.8mm, Stainless steel	TE20E335	Spare part
	<input type="checkbox"/>	1 Cleaner head 4xø4.2mm, Stainless steel	TE20E336	Spare part
14.4	1	Bearing bush, Polymer	TE20B554	Wear part
14.5	1	Retaining ring, Stainless steel	TE20E552	Wear part
14.6	1	Ball ring n, Polymer/stainless steel	TE20B361	Wear part
14.7	1	Bevel gear, Stainless steel	TE20E550	Wear part

Configuration as delivered marked

\*Note: Pos. 12.5 is not sold as single spare part component but only as part of a machine maintenance/repair order.

For further information please contact Alfa Laval Customer Support.

*Not manufactured anymore*



**Toftejorg SaniJet 20 Media Driven**  
**Machine design obsolete August 2012: Item numbers TE20Xxxx**

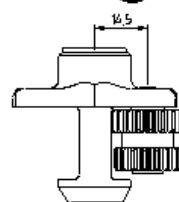
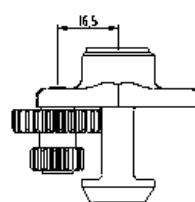
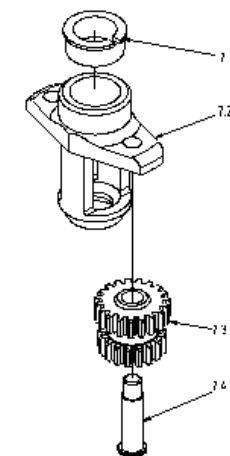
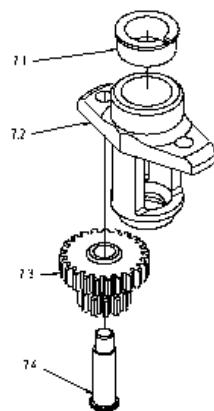
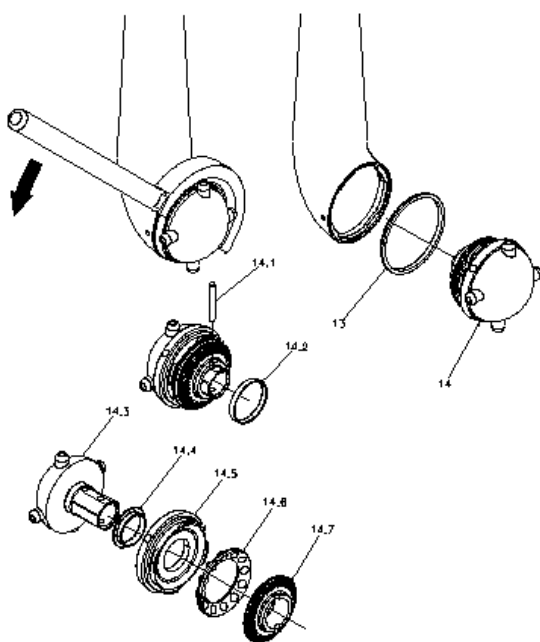
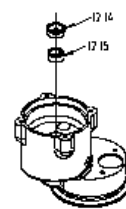
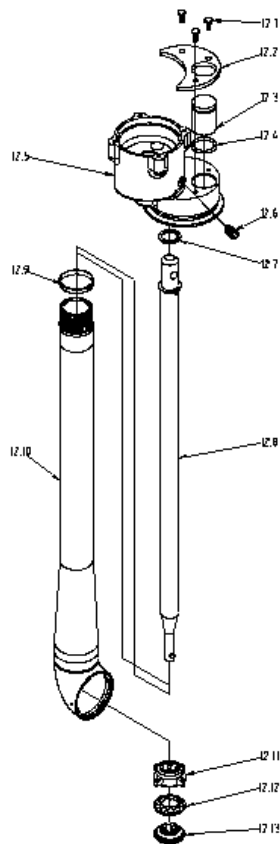
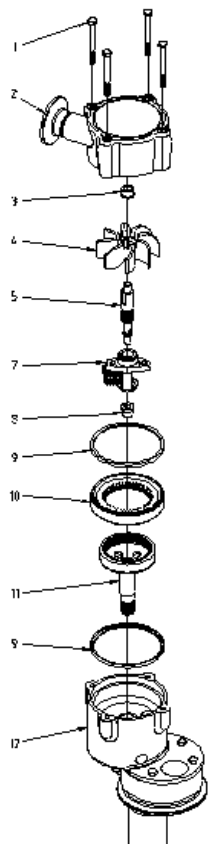
**Reference list of parts**

Toftejorg SaniJet 20, Media Driven, Hastelloy version (FFKM as standard)

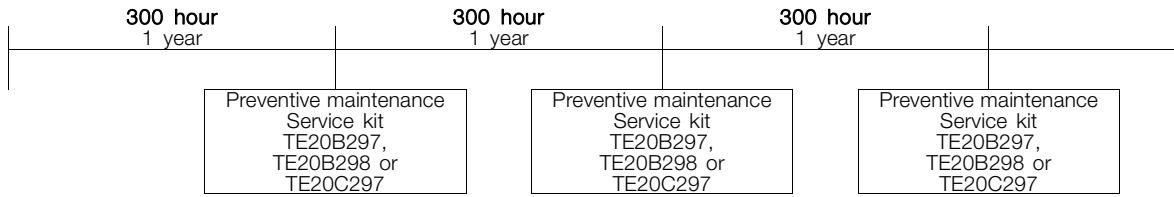
Pos	Qty	Denomination	Item no.	Remark
1	4	Screw, Stainless steel	TE51A224	Spare part
2	□	1 Inlet cap ø23, Alloy	TE20C371	Spare part
	□	1 Inlet cap ø11, Alloy	TE20C372	Spare part
3	1	Bearing bush, Polymer	TE20B587	Wear part
4	1	Impeller, Polymer	TE20B583	Spare part
5	1	Impeller shaft, Alloy	TE20C582	Wear part
7		Planet gear, Assy		
7.1	1	Bearing bush, Polymer	TE20B600	Wear part
7.2	1	Planet wheel carrier, Alloy	TE20C589	Spare part
7.3	□	1 Planet wheel t2, Polymer	TE20B590	Wear part
	□	1 Planet wheel t1, Polymer	TE20B592	Wear part
7.4	1	Shaft f. Planet wheel, Alloy	TE20C591	Wear part
8	1	Bearing bush, Polymer	TE20B588	Wear part
9	2	Gasket, FFKM	TE20C516	Wear part
10	□	1 Gear ring t1, Alloy	TE20C581	Wear part
	□	1 Gear ring t2, Alloy	TE20C593	Wear part
11	1	Output shaft, Alloy	TE20C598	Wear part
12		Base unit, Assy		
12.1	3	Screw, Stainless steel	TE51A172	Spare part
12.2	1	Bracket, Stainless steel	TE20B594	Spare part
12.3	1	Plug, Alloy	TE20C642	Spare part
12.4	1	O-ring, FFKM	TE51T129	Wear part
12.5	1	Base housing, Alloy		*Note
12.6	1	Retaining screw, Stainless steel	TE20B512	Spare part
12.7	1	Plain seal, FFKM	TE20C511	Wear part
12.8	□	1 Inner shaft, l = 350 mm, Alloy	TE20C538	Spare part
	□	1 Inner shaft, l = 500 mm, Alloy	TE20C532	Spare part
	□	1 Inner shaft, l = 700 mm, Alloy	TE20C533	Spare part
	□	1 Inner shaft, l = 1000 mm, Alloy	TE20C534	Spare part
	□	1 Inner shaft, l = 1200 mm, Alloy	TE20C535	Spare part
	□	1 Inner shaft, l = 1500 mm, Alloy	TE20C536	Spare part
12.9	1	Bearing ring, Polymer	TE20B510	Wear part
12.10	□	1 Outer tube, l = 350 mm, Alloy	TE20C310	Spare part
	□	1 Outer tube, l = 500 mm, Alloy	TE20C311	Spare part
	□	1 Outer tube, l = 700 mm, Alloy	TE20C312	Spare part
	□	1 Outer tube, l = 1000 mm, Alloy	TE20C313	Spare part
	□	1 Outer tube, l = 1200 mm, Alloy	TE20C314	Spare part
	□	1 Outer tube, l = 1500 mm, Alloy	TE20C315	Spare part
12.11	1	Ball race, Alloy	TE20C539	Wear part
12.12	1	Ball ring, Polymer/alloy	TE20C360	Wear part
12.13	1	Bevel gear, Alloy	TE20C542	Wear part
12.14	1	Bearing bush, Polymer	TE20B513	Spare part
12.15	1	Bearing bush, Polymer	TE20B514	Wear part
13	1	Seal ring h, FFKM	TE20C553	Wear part
14	□	1 Cleaner unit, 2xø2.0mm, Assy	TE20C324	Wear part
	□	1 Cleaner unit, 2xø3.8mm, Assy	TE20C325	Wear part
	□	1 Cleaner unit, 4xø4.2mm, Assy	TE20C326	Wear part
14.1	1	Pin, Alloy	TE20C655	Spare part
14.2	1	Clip ring, Alloy	TE20C571	Spare part
14.3	□	1 Cleaner head 2xø2.0mm, Alloy	TE20C334	Spare part
	□	1 Cleaner head 2xø3.8mm, Alloy	TE20C335	Spare part
	□	1 Cleaner head 4xø4.2mm, Alloy	TE20C336	Spare part
14.4	1	Bearing bush, Polymer	TE20B554	Wear part
14.5	1	Retaining ring, Alloy	TE20C552	Wear part
14.6	1	Ball ring n, Polymer/alloy	TE20C361	Wear part
14.7	1	Bevel gear, Alloy	TE20C550	Wear part

\*Note: Pos. 12.5 is not sold as single spare part component but only as part of a machine maintenance/repair order.  
 For further information please contact Alfa Laval Customer Support.

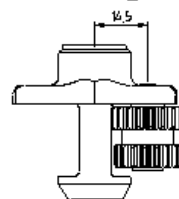
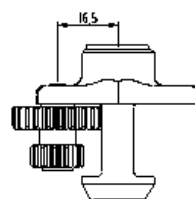
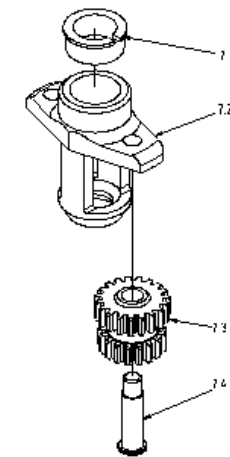
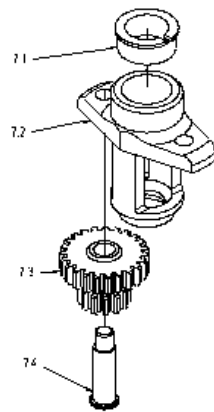
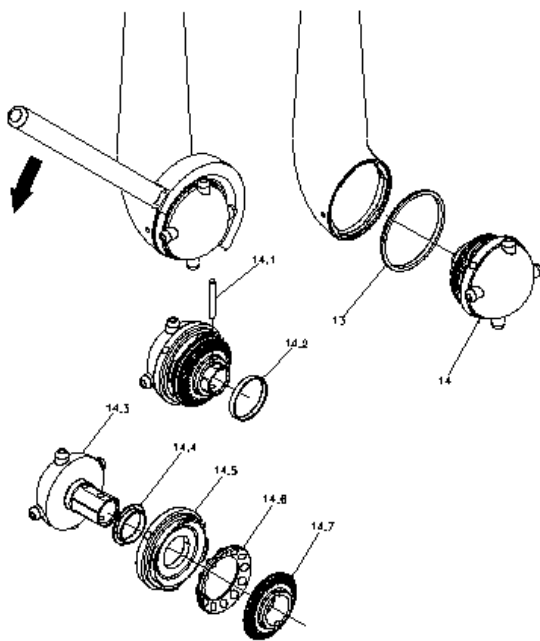
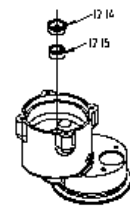
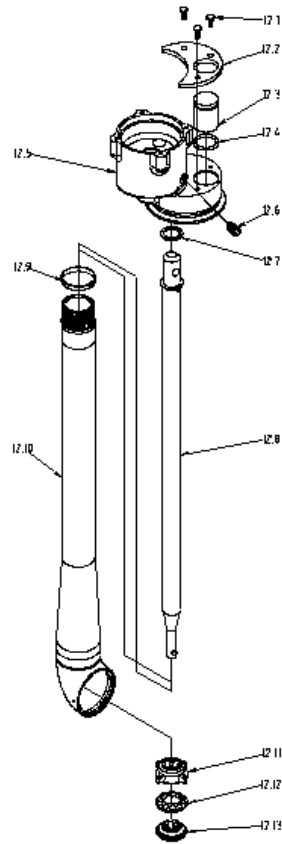
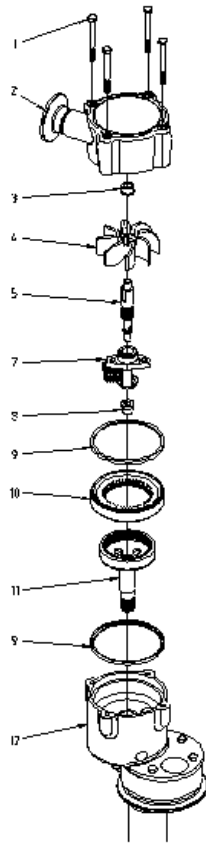
*Not manufactured anymore*



Service intervals



*Not manufactured anymore*



**Toftejorg SaniJet 20 Media Driven  
Machine design obsolete August 2012: Item numbers TE20Xxxx**

---

Service kit in EPDM for Toftejorg SaniJet 20 Media Driven version  
Article no. TE20B297

Pos	Qty	Denomination	Item no.
3	1	Bearing bushing m, EPDM .....	TE20B587
7.1	1	Bearing bushing d1, EPDM .....	TE20B600
8	1	Bearing bushing , EPDM .....	TE20B588
9	2	Gasket d, EPDM .....	TE20B516
12.4	1	O-ring , EPDM .....	TE51T127
12.7	1	Plain seal s, EPDM .....	TE20B511
12.9	1	Bearing ring, top, EPDM .....	TE20B510
12.14	1	Bearing bush d1, EPDM .....	TE20B513
12.15	1	Bearing bush d2, EPDM .....	TE20B514
13	1	Seal ring h, EPDM .....	TE20B553
14.4	1	Bearing bush, EPDM .....	TE20B554

Service kit in FPM (Viton) for Toftejorg SaniJet 20 Media Driven version  
Article no. TE20B298

Pos	Qty	Denomination	Item no.
3	1	Bearing bushing m, FPM .....	TE20B587
7.1	1	Bearing bushing d1, FPM .....	TE20B600
8	1	Bearing bushing , FPM .....	TE20B588
9	2	Gasket d, FPM .....	TE20B51601
12.4	1	O-ring , FPM .....	TE51T008
12.7	1	Plain seal s, FPM .....	TE20B51101
12.9	1	Bearing ring, top, FPM .....	TE20B510
12.14	1	Bearing bush d1, FPM .....	TE20B513
12.15	1	Bearing bush d2, FPM .....	TE20B514
13	1	Seal ring h, FPM .....	TE20B55301
14.4	1	Bearing bush, FPM .....	TE20B554

Service kit in FFKM (perlast) for Toftejorg SaniJet 20 Media Driven version  
Article no. TE20C297

Pos	Qty	Denomination	Item no.
3	1	Bearing bushing m, FFKM .....	TE20B587
7.1	1	Bearing bushing d1, FFKM .....	TE20B600
8	1	Bearing bushing , FFKM .....	TE20B588
9	2	Gasket d, FFKM .....	TE20C516
12.4	1	O-ring , FFKM .....	TE51T129
12.7	1	Plain seal s, FFKM .....	TE20C511
12.9	1	Bearing ring, top, FFKM .....	TE20B510
12.14	1	Bearing bush d1, FFKM .....	TE20B513
12.15	1	Bearing bush d2, FFKM .....	TE20B514
13	1	Seal ring h, FFKM .....	TE20C553
14.4	1	Bearing bush, FFKM .....	TE20B554

**Tools**

Pos	Qty	Denomination	Reference no.
		Socket wrench w. Pin .....	TE462A
		Hook spanner .....	TE20B701

---

**How to contact Alfa Laval**

Contact details for all countries are continually updated on our website.

Please visit [www.alfalaval.com](http://www.alfalaval.com) to access the information directly.

© Alfa Laval Corporate AB

This document and its contents is owned by Alfa Laval Corporate AB and protected by laws governing intellectual property and thereto related rights. It is the responsibility of the user of this document to comply with all applicable intellectual property laws. Without limiting any rights related to this document, no part of this document may be copied, reproduced or transmitted in any form or by any means (electronic, mechanical, photocopying, recording, or otherwise), or for any purpose, without the expressed permission of Alfa Laval Corporate AB. Alfa Laval Corporate AB will enforce its rights related to this document to the fullest extent of the law, including the seeking of criminal prosecution.