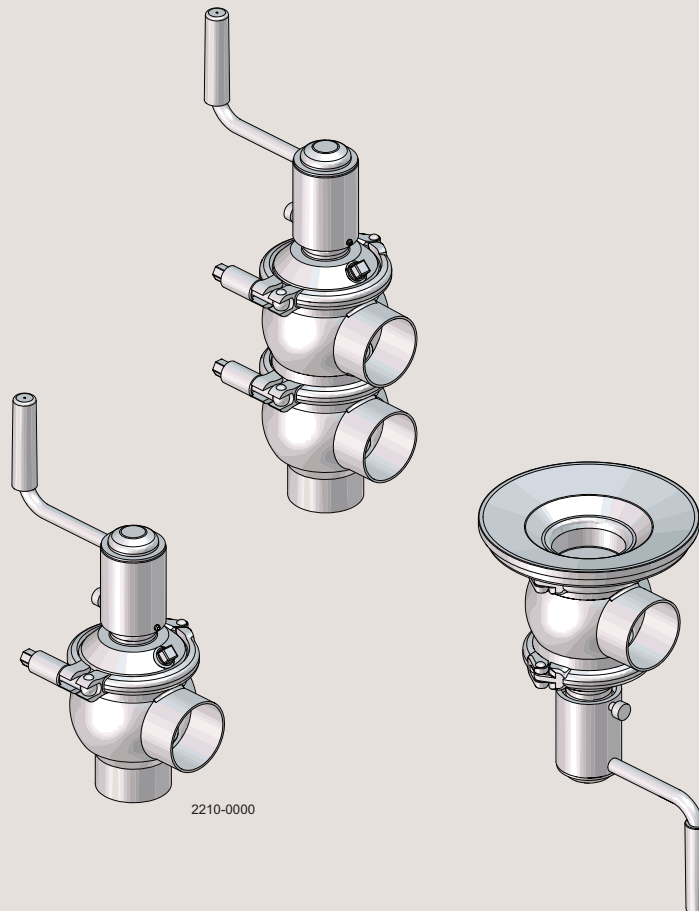


Instruction Manual

Unique SSV Aseptic - Manually Operated



ESE02421-ENUS3 2019-03

Original manual



CSI

CONTACT CSI FOR MORE INFORMATION | CSIDESIGNS.COM | SALES@CSIDESIGNS.COM | 417.831.1411

Table of contents

The information herein is correct at the time of issue but may be subject to change without prior notice

1. CE Declaration of Conformity	4
2. Safety	5
2.1. Important information	5
2.2. Warning signs	5
2.3. Safety precautions	6
3. Installation	7
3.1. Unpacking/delivery	7
3.2. General installation	9
3.3. Welding	11
4. Operation	13
4.1. Operation	13
4.2. Troubleshooting	14
4.3. Recommended cleaning	15
5. Maintenance	17
5.1. General maintenance	17
5.2. Dismantling of valve	19
5.3. Plug seal replacement	20
5.4. Valve assembly	21
5.5. Manual actuator bushing and lip seal replacement	22
6. Technical data	23
6.1. Technical data	23
7. Parts list and service kits	24
7.1. Aseptic regulating - sectional drawing	24
7.2. Aseptic regulating	26
7.3. Aseptic manually operated - shut-off - sectional drawing	28
7.4. Aseptic manually operated - shut-off	30
7.5. Aseptic manually operated - change-over - sectional drawing	32
7.6. Aseptic manually operated - change-over	34
7.7. Aseptic manual tank outlet - sectional drawing	36
7.8. Aseptic manual tank outlet	38
7.9. Accessories tool	40



1 CE Declaration of Conformity

The designating company

Alfa Laval

Company Name

Albuen 31, DK-6000 Kolding, Denmark

Address

+45 79 32 22 00

Phone No.

hereby declare that

Unique SSV Aseptic - Manually Operated

Denomination

Valve

Type

20-03-2013

Year

is in conformity with the following directives:

- Machinery Directive 2006/42/EC

- Pressure Equipment Directive 97/23/EC category 1 and subjected to assessment procedure Module A

Global Product Quality Manager
Pumps, Valves, Fittings and Tank Equipment

Title

Lars Kruse Andersen

Name

Kolding
Place

Signature

Designation



*Unsafe practices and other important information are emphasized in this manual.
Warnings are emphasized by means of special signs.*

2.1 Important information

Always read the manual before using the valve!

WARNING

Indicates that special procedures must be followed to avoid serious personal injury.

CAUTION

Indicates that special procedures must be followed to avoid damage to the valve.

NOTE

Indicates important information to simplify or clarify procedures.

2.2 Warning signs

General warning:



Caustic agents:



2 Safety

All warnings in this manual are summarized on this page.

Pay special attention to the instructions below so that serious personal injury and/or damage to the valve are avoided.

2.3 Safety precautions

Installation:

Always read the technical data thoroughly (see chapter 6 Technical data)
Never touch the valve or the pipelines when processing hot liquids or when sterilising
Never dismantle the valve with the valve and pipelines under pressure
Never dismantle the valve when it is hot



Operation:

Never dismantle the valve with the valve and pipelines under pressure
Never dismantle the valve when it is hot
Always read the technical data thoroughly (see chapter 6 Technical data)
Always rinse well with clean water after cleaning



Always handle lye and acid with great care



Maintenance:

Always read the technical data thoroughly (see chapter 6 Technical data)
Never service the valve when it is hot
Never service the valve with the valve and pipelines under pressure



Transportation:

Always ensure that compressed air is released
Always ensure that all connections are disconnected before attempting to remove the valve from the installation
Always drain liquid out of valves before transportation
Always use predesigned lifting points, if available
Always ensure sufficient fixing of the valve during transportation - if specially designed packaging material is available, it must be used

*The instruction manual is part of the delivery. Study the instructions carefully.
The items refer to the parts list and service kits section.
The valve is supplied as separate parts as standard (for welding).
The valve is assembled before delivery, if it is supplied with fittings.*

3.1 Unpacking/delivery

Step 1

CAUTION

Alfa Laval cannot be held responsible for incorrect unpacking.

Check the delivery for:

1. Complete valve, shut-off valve or change-over valve.
 2. Delivery note.
-

3 Installation

The instruction manual is part of the delivery. Study the instructions carefully.

The items refer to the parts list and service kits section.

The valve is supplied as separate parts as standard (for welding).

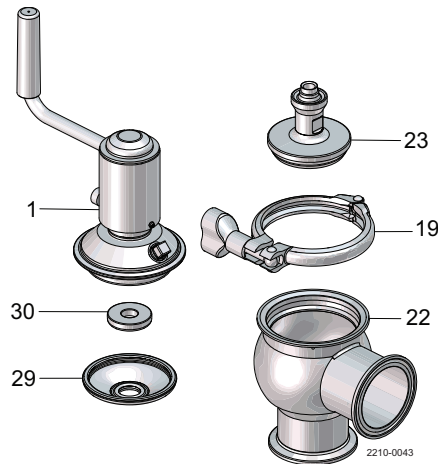
The valve is assembled before delivery, if it is supplied with fittings.

Step 2

2a

Shut-off valve:

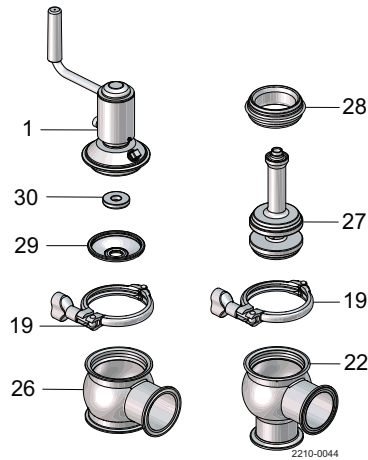
1. Complete handle.
2. Clamp (19).
3. Valve plug (23).
4. Valve body (22).
5. Diaphragm (29)
6. Disc (30)



2b

Change-over valve:

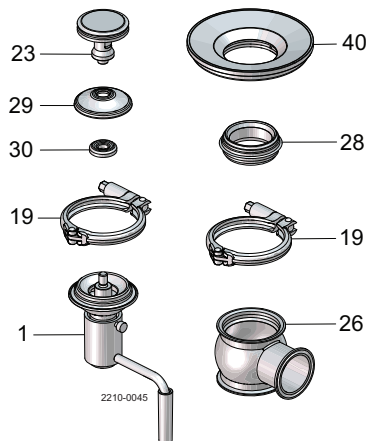
1. Complete actuator.
2. 2 x clamps (19).
3. Valve plug (27).
4. Lower valve body (22).
5. Valve seat (28).
6. Upper valve body (26).
7. Diaphragm (29)
8. Disc (30)



2c

Tank outlet valve:

1. Complete actuator.
2. 2 x clamps (19).
3. Valve plug (23).
4. Tank flange (40).
5. Valve seat (28).
6. Valve body (26).
7. Diaphragm (29)
8. Disc (30)



Step 3

Remove any packing materials from the valve/valve parts.

Inspect the valve/valve parts for visible transport damage.

Avoid damaging the valve/valve parts.



CSI

CONTACT CSI FOR MORE INFORMATION | CSIDESIGNS.COM | SALES@CSIDESIGNS.COM | 417.831.1411

The instruction manual is part of the delivery. Study the instructions carefully.
 The items refer to the parts list and service kits section.
 The valve is supplied as separate parts as standard (for welding).
 The valve is assembled before delivery, if it is supplied with fittings.

3.2 General installation

Step 1



Always read the technical data thoroughly.
 See chapter 6 Technical data.

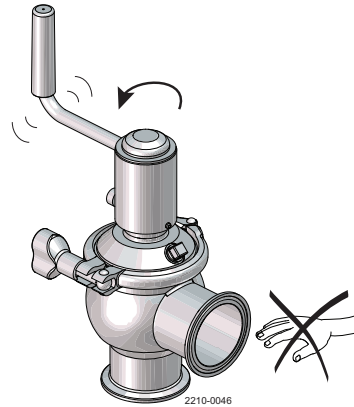
CAUTION

Alfa Laval cannot be held responsible for incorrect installation.

Step 2



Never put your fingers into the valve body during operation.

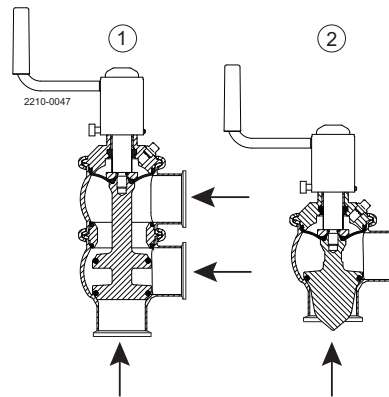


Moving parts!

Step 3

The manually operated valve (1) can be installed with closing flow in both directions, without “water hammering” problems.

The manual regulating valve (2) must be installed with inlet flow as shown.

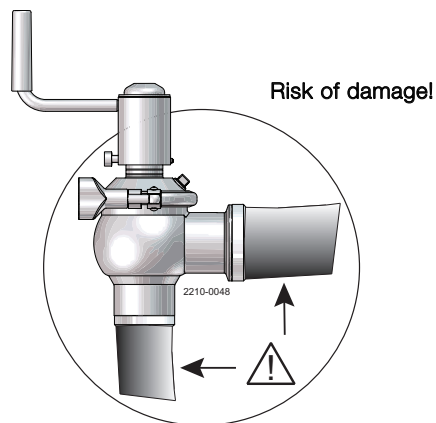


Step 4

Avoid stresses to the valve.

Pay special attention to:

- Vibrations.
- Thermal expansion of the pipelines.
- Excessive welding.
- Overloading of the pipelines.



3 Installation

The instruction manual is part of the delivery. Study the instructions carefully.

The items refer to the parts list and service kits section.

The valve is supplied as separate parts as standard (for welding).

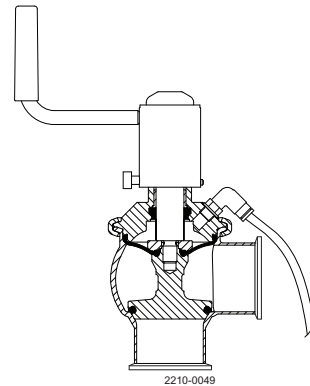
The valve is assembled before delivery, if it is supplied with fittings.

Step 5



Always check if the diaphragm is tight - it can be dangerous if it leaks steam/CIP.

For safety purposes, a 1/4" hose and fitting can be mounted as shown. The hose should reach the drain.



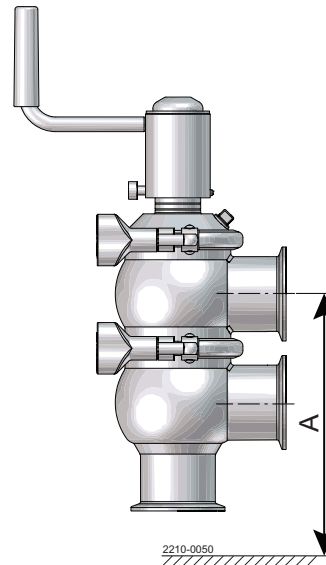
Study the instructions carefully.
 The valve is supplied as separate parts as standard (for welding).
 The items refer to the parts list and service kits section.
 Check the valve for smooth operation after welding.

3.3 Welding

Step 1

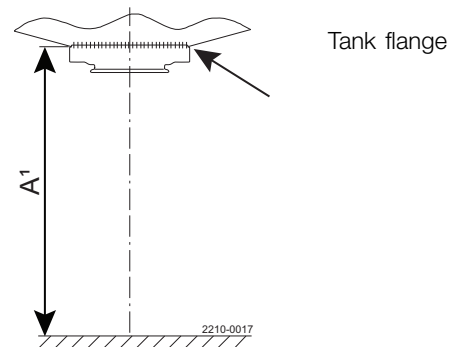
1a:

Always install valves with more than one valve body so that the seals between the valve bodies can be replaced. Do not weld more than one valve body into the system.
 Measurement A is determined by body combination and piping solution.
 Please see actual PD sheet for further information.



1b: (only for manual tank outlet valve)

Before welding the flange into the tank please note:
 1. Maintain the minimum clearances "A" to ensure that the actuator and the internal valve parts can be removed - please see information later in this section.

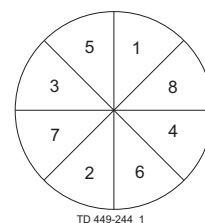


Minimum height dimensions

Size	Valve size			
	2"	2½"	3"	4"
A ¹ (inch)	13"	15"	15.5"	17.5"

A¹ = Min. installation measure to allow the valve to be lifted out of the tank flange/valve body.

- Only use pulsed arc welding and remember: there must be no gap between flange and tank plate.
Always tack weld on the opposite side (8 segments with filler metal). Weld root if possible without filler metal.
 Welding of the final run must be carried out in 8 segments to avoid cracking.



3 Installation

Study the instructions carefully.

The valve is supplied as separate parts as standard (for welding).

The items refer to the parts list and service kits section.

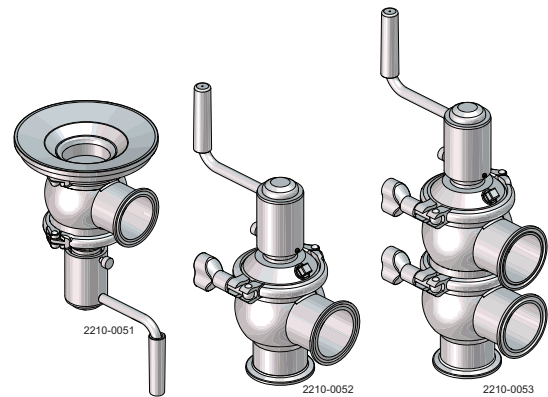
Check the valve for smooth operation after welding.

Step 2

Assemble the valve in accordance with the steps in section 5.4

Valve assembly.

Pay special attention to the warnings!



Study the instructions carefully and pay special attention to the warnings!
 Ensure that the valve operates smoothly.
 The items refer to the parts list and service kits section.

4.1 Operation

Step 1



Always read the technical data thoroughly.
 See chapter 6 Technical data.

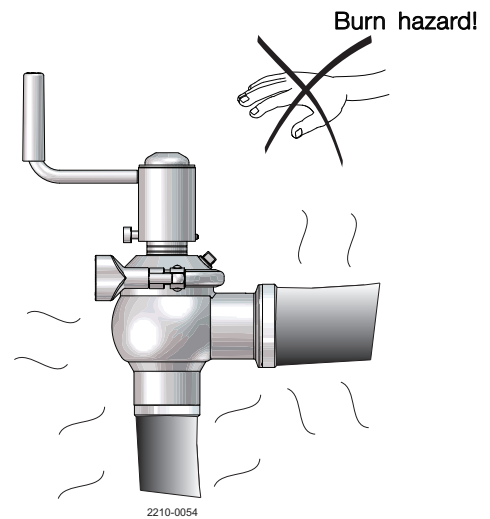
CAUTION

Alfa Laval cannot be held responsible for incorrect operation.

Step 2



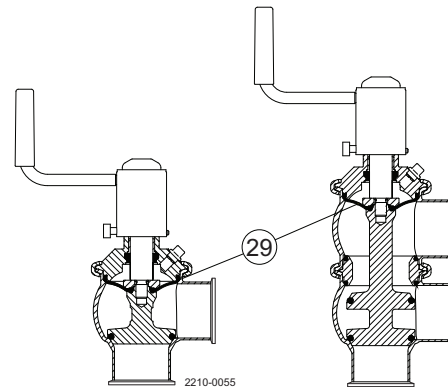
Never touch the valve or the pipelines when processing hot liquids
 or when sterilising.



Step 3

CAUTION:

We recommend that the diaphragm (position 29) is not re-used
 after dismantling (risk of damage and leakage).



Step 4

Actuator lubrication

1. Lubricate the "brass stem extension" (pos 16) with Molykote Longterm 2 Plus, if necessary
2. Ensure smooth movement of the crank mechanism. Lubricate the actuator thread with Molykote TP42 if necessary (the crank is lubricated before delivery).

4 Operation

Pay attention to possible faults. Study the instructions carefully.
The items refer to the parts list and service kits section.

4.2 Troubleshooting

NOTE!

Study the maintenance instructions carefully before replacing worn parts - see section 5.3 Plug seal replacement!

Problem	Cause/result	Remedy
External product leakage	Worn or damaged diaphragm and/or o-ring	<ul style="list-style-type: none">- Replace the diaphragm- Replace with seals of a different rubber grade
Internal product leakage	<ul style="list-style-type: none">- Worn or damaged plug seal- Product deposits on the seat and/or plug	<ul style="list-style-type: none">- Replace the seal- Replace with a seal of a different rubber grade- Regular cleaning
Valve does not open/close	Product pressure exceeds actuator specification	Reduce product pressure Lubricate the actuator thread with Molykote-TP42 if necessary.

If marked with a danger warning, do NOT attempt to cut the actuator open, due to spring under load.



CSI

CONTACT CSI FOR MORE INFORMATION | CSIDESIGNS.COM | SALES@CSIDESIGNS.COM | 417.831.1411

The valve is designed for cleaning in place (CIP).
Study the instructions carefully and pay special attention to the warnings!
NaOH = Caustic soda.
HNO₃ = Nitric acid.

4.3 Recommended cleaning

Step 1



Always handle lye and acid with great care.

Caustic danger!



Always use
rubber gloves!



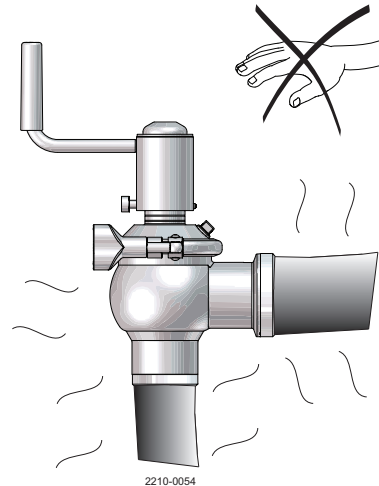
Always use
protective goggles!

Step 2



Never touch the valve or the pipelines when sterilising.

Burn hazard!



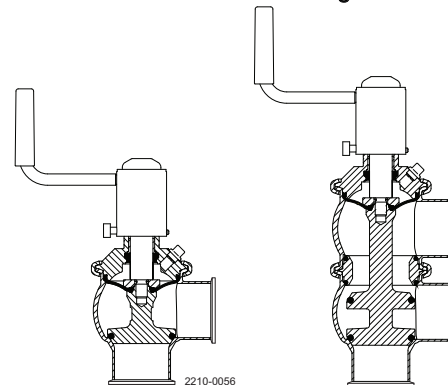
Step 3

Clean the plug and the seats correctly.
Pay special attention to the warnings!

Activate valve plug several times

Shut-off valve

Change-over valve



4 Operation

The valve is designed for cleaning in place (CIP).

Study the instructions carefully and pay special attention to the warnings!

NaOH = Caustic soda.

HNO₃ = Nitric acid.

Step 4

Examples of cleaning agents:

Use clean water, free from chlorides.

1. 1% by weight NaOH at 158° F

$$\begin{array}{|c|} \hline 2.2 \text{ lb} \\ \hline \text{NaOH} \\ \hline \end{array} + \begin{array}{|c|} \hline 26.4 \text{ gal} \\ \hline \text{water} \\ \hline \end{array} = \text{Cleaning agent.}$$

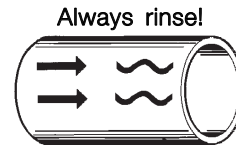
$$\begin{array}{|c|} \hline 0.6 \text{ gal} \\ \hline 33\% \text{ NaOH} \\ \hline \end{array} + \begin{array}{|c|} \hline 26.4 \text{ gal} \\ \hline \text{water} \\ \hline \end{array} = \text{Cleaning agent.}$$

2. 0.5% by weight HNO₃ at 158° F

$$\begin{array}{|c|} \hline 0.2 \text{ gal} \\ \hline 53\% \text{ HNO}_3 \\ \hline \end{array} + \begin{array}{|c|} \hline 26.4 \text{ gal} \\ \hline \text{water} \\ \hline \end{array} = \text{Cleaning agent.}$$

Step 5

1. Avoid excessive concentration of the cleaning agent.
2. Adjust the cleaning flow to the process.
3. **Always** rinse well with clean water after the cleaning.



Clean water Cleaning agents

Step 6

NOTE

The cleaning agents must be stored/disposed of in accordance with current regulations/directives.



Maintain the valve regularly.
Study the instructions carefully and pay special attention to the warnings!
Always keep spare rubber seals and lip seals in stock.

5.1 General maintenance

Step 1



Always read the technical data thoroughly.
See chapter 6 Technical data.

NOTE

All scrap must be stored/disposed of accordance with current regulations/directives.

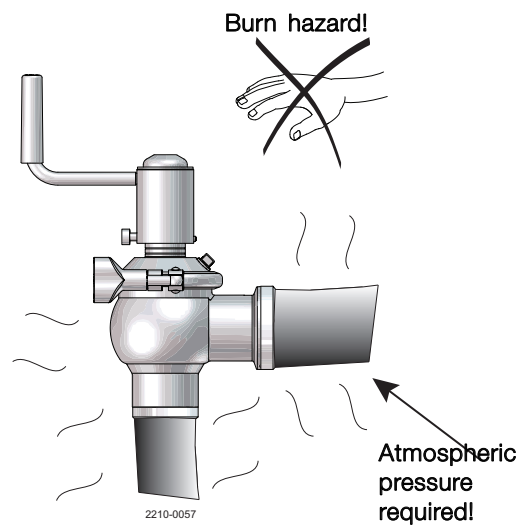
Step 2



Never service the valve when it is hot.



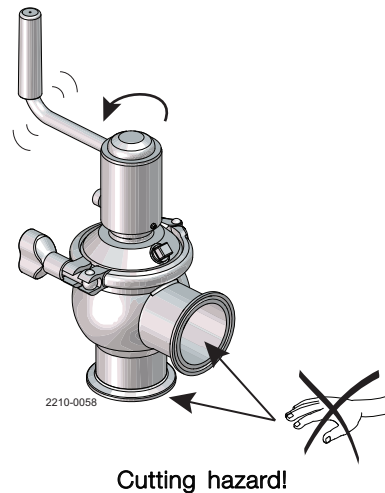
Never service the valve with the valve and pipelines under pressure.



Step 3



Never stick your fingers through the valve ports.



5 Maintenance

Maintain the valve regularly.
Study the instructions carefully and pay special attention to the warnings!
Always keep spare rubber seals and lip seals in stock.

Step 4

Below are some guidelines for maintenance and lubrication intervals. Please note that the guidelines are for normal working conditions in one shift.

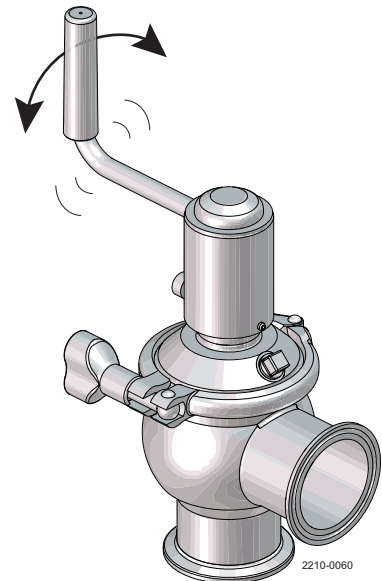
Product wetted seals	
Preventive maintenance	Replace after 12 months depending on working conditions
Maintenance after leakage (leakage normally starts slowly)	Replace at the end of the day
Planned maintenance	<ul style="list-style-type: none"> - Regular inspection for leakage and smooth operation - Keep a record of the valve - Use the statistics for inspection planning Replace after leakage
Lubrication	Before fitting Klüber Paraliq GTE 703 or similar USDA H1 approved oil/grease

Lubrication of the actuator thread must be done with Molykote TP-42 - see also 4.1 Operation, Step 4

Pre-use check:

Open and close the valve several times to ensure that it operates smoothly.

Pay special attention to the warnings!



Recommended spare parts

Service kits (see chapter 7 Parts list and service kits)



Maintain the valve regularly.
Study the instructions carefully and pay special attention to the warnings!
Always keep spare rubber seals and lip seals in stock.

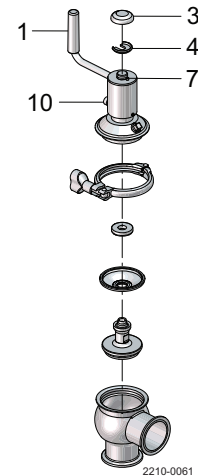
5.2 Dismantling of valve

Step 1a - Shut-off and tank outlet valve

Always ensure that the valve is **depressurized**.

1. Place the crank in the middle position and remove the clamp.
2. Rotate the crank downward so the plug presses the sealing element upwards from the valve body.
3. Remove the cap (3) and loosen the screws (7+10) and remove the washer (4) by sliding it sideways.
Now remove the crank from the sealing element.
4. Unscrew the valve plug from the actuator spindle.
This is done by inserting a screwdriver into the spindle and using a 17mm spanner at the valve plug.
5. Remove the diaphragm and disc.

The lip-seal and bushing in the sealing element can be replaced if necessary (see section 5.5 Manual actuator bushing and lip seal replacement)

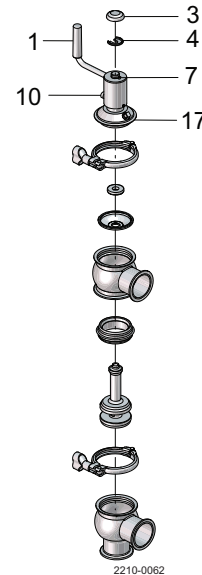


Step 2a - Change-over valve

Always ensure that the valve is **depressurized**.

1. Place the crank in the top position (so the valve plug is upwards) and remove the upper and lower clamps.
2. Lift away the upper valve body with the actuator.
3. Remove the cap (3) and loosen the screws (7+10) and remove the washer (4) by sliding it sideways.
Now remove the crank (1) from the sealing element (17).
4. Unscrew the valve plug from the actuator spindle.
This is done by inserting a screwdriver into the spindle and using a 17mm spanner at the valve plug.
5. Remove the upper valve body and the valve seat (28).
6. Remove the diaphragm and disc. The sealing element can be difficult to remove from the valve body, but if this is the case then use the valve plug (without the valve seat (28)) to press it out of the valve body.

The lip-seal and bushing in the sealing element can be replaced if necessary (see section 5.5 Manual actuator bushing and lip seal replacement)



5 Maintenance

Maintain the valve regularly.

Study the instructions carefully and pay special attention to the warnings!

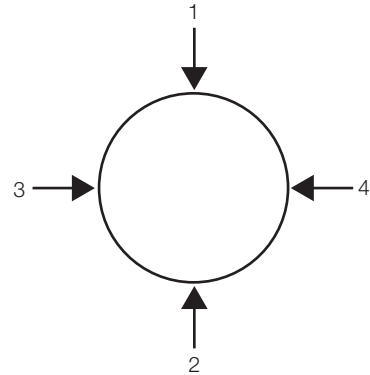
Always keep spare rubber seals and lip seals in stock.

5.3 Plug seal replacement

Step 1

1. Remove the old seal ring using a knife, screwdriver or similar.
Be careful not to damage metal parts.
2. Pre-mount the plug seal without pressing it into the groove.
3. Squeeze the plug seal into the groove using opposite pressure points.
4. Release compressed air behind the plug seal.

Note! For plug seal replacement, please see section 7.9
Accessories tool

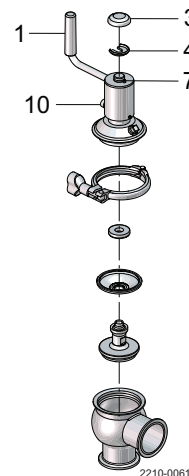


Maintain the valve regularly.
Study the instructions carefully and pay special attention to the warnings!
Always keep spare rubber seals and lip seals in stock.

5.4 Valve assembly

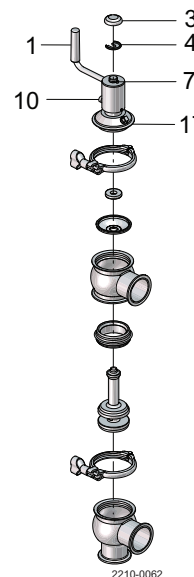
Step 1a - Shut-off and tank outlet valve

1. Fit the diaphragm, disc and spindle to the sealing element. Remember to turn the disc correctly (see drawing below).
Grease with "Paralique GT703" on the outside on the diaphragm and on the valve body
2. Tighten the valve plug and actuator spindle (14).
Use torque **15 lbf-ft (20 Nm)** (ISO51/DN50-ISO101/DN100) and **13 lbf-ft (17 Nm)** (ISO25/DN25-ISO38/DN38). This is done by inserting a screwdriver into the spindle and using a 17mm spanner at the valve plug. We recommend the use of Lock-tite 243
The clamps thread must be lubricated before tightening - max. torque for the clamps is 7.5-9.5 lbf-ft (10-12 Nm).
3. Screw the crank (1) onto the sealing element. Fit the cap (3) and the screws (7+10) and the washer (4) by sliding it sideways
4. Place the crank in the middle position so that it is easier to mount the actuator into the valve body
5. Now press hard on the actuator crank and fit it into the valve body. Ensure that the diaphragm still is correctly mounted on the sealing element (see drawing below)
6. Mount the clamp
7. Move the crank up and down to ensure proper function

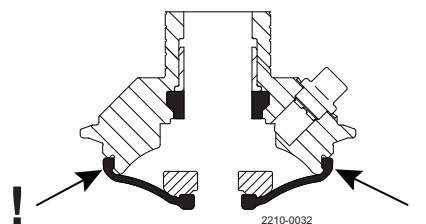


Step 2a - Change-over valve

1. Fit the diaphragm, disc and spindle to the sealing element. Remember to turn the disc correctly (see drawing below).
Grease with "Paralique GT703" on the outside on the diaphragm and on the valve body.
2. Press the sealing element with diaphragm, disc and spindle into the upper valve body. Ensure that the diaphragm still is correctly mounted on the sealing element (see drawing below).
3. Fit the valve seat (28) onto the plug.
4. Tighten the valve plug and actuator spindle (14).
Use torque 22 lbf-ft (30 Nm) (ISO51/DN50-ISO101/DN100) and 13 lbf-ft (17 Nm) (ISO25/DN25-ISO38/DN38). This is done by inserting a screwdriver into the spindle and using a 17mm spanner at the valve plug. We recommend the use of Loctite 243.
5. Screw the crank (1) onto the sealing element and place it in the middle position. Be careful as the diaphragm will be pulled out if the crank (1) is placed in closed position. Fit the cap (3) and the screws (7+10) and the washer (4) sideways.
6. Fit the upper clamp, but remember NOT to screw the valve plug downward as the diaphragm will then be overstretched and destroyed.
7. Fit the "complete upper valve body with the actuator" into the lower valve body (26).
8. Fit the lower clamp.
9. Move the crank up and down to ensure proper function.



Make sure that the diaphragm is securely mounted on the sealing element (17) before installing the complete diaphragm, disc and spindle into the valve body.
Remember to turn the disc (30) correctly.



CSI

CONTACT CSI FOR MORE INFORMATION | CSIDESIGNS.COM | SALES@CSIDESIGNS.COM | 417.831.1411

5 Maintenance

Maintain the valve regularly.

Study the instructions carefully and pay special attention to the warnings!

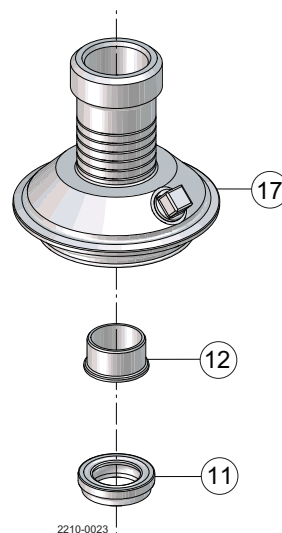
Always keep spare rubber seals and lip seals in stock.

5.5 Manual actuator bushing and lip seal replacement

Step 1

In the sealing element (pos. 17) is a bushing (pos. 12) and a lip seal (pos. 11), which can be replaced.

Alfa Laval recommend using the bushing tool (see section 7.9 Accessories tool)



6 Technical data

*It is important to observe the technical data during installation, operation and maintenance.
Inform all personnel about the technical data.*

6.1 Technical data

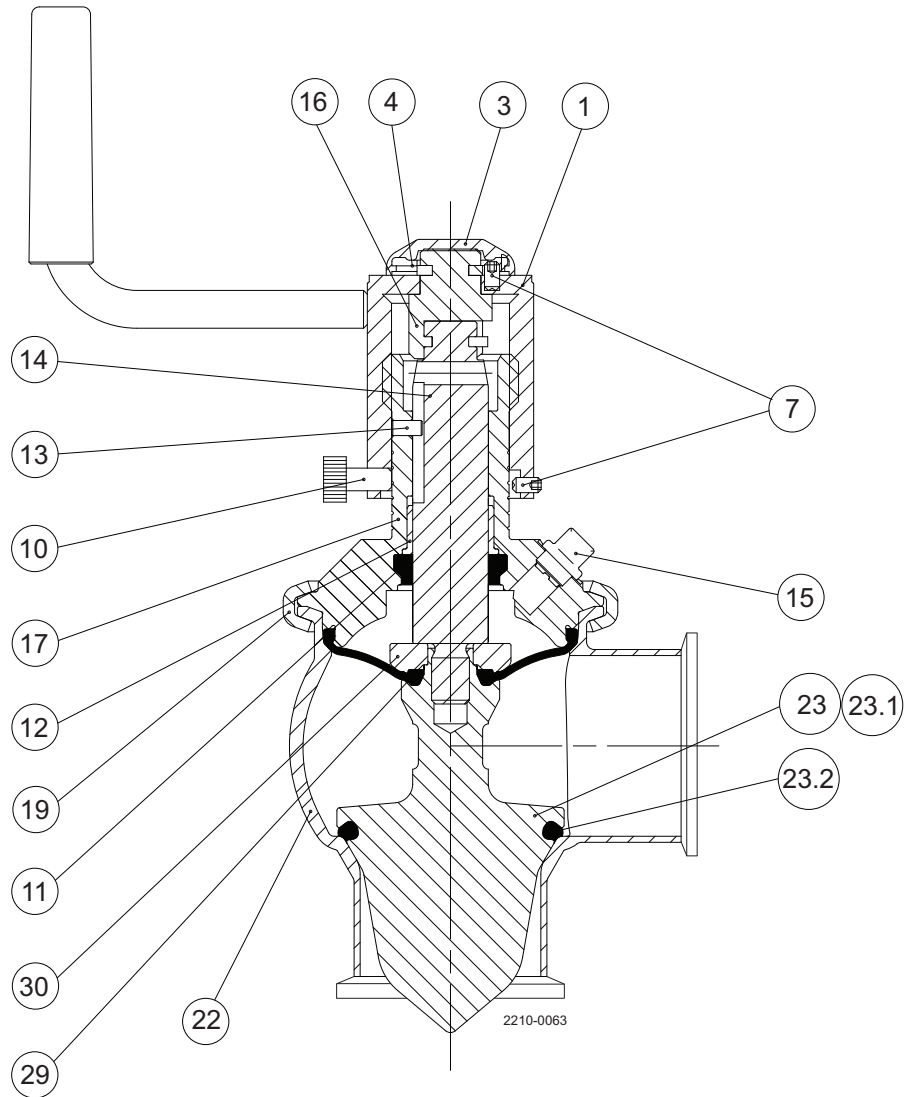
Data - valve/actuator	
Max. product pressure in tank	145 PSI / 68°F (10 bar / 20°C) 123 PSI / 212°F (8.5 bar / 100°C) 109 PSI / 302°F (7.5 bar / 150°C)
Min. product pressure in tank	Full vacuum
Max. product pressure in pipeline	116 PSI / 284°F (8 bar / 140°C)
Min. product pressure in pipeline	Full vacuum.
Max. sterilization temperature (steam - short time)	302°F (46 PSI) - (150°C (3.8bar))
Temperature range	14°F to 284°F (-10°C to 140°C)
Note: Vacuum in the pipeline should be avoided due to the diaphragm service life.	
Materials - valve/actuator	
Product wetted steel parts	1.4404 (316L) (internal Ra < 32 μ inch).
Other steel parts	1.4301 (304).
Plug seal	EPDM.
Diaphragm	EPDM/PTFE.
Other product wetted seals	EPDM (standard).
Optional product wetted seals	HNBR and FPM.



7 Parts list and service kits

*It is important to observe the technical data during installation, operation and maintenance.
Inform all personnel about the technical data.*

7.1 Aseptic regulating - sectional drawing





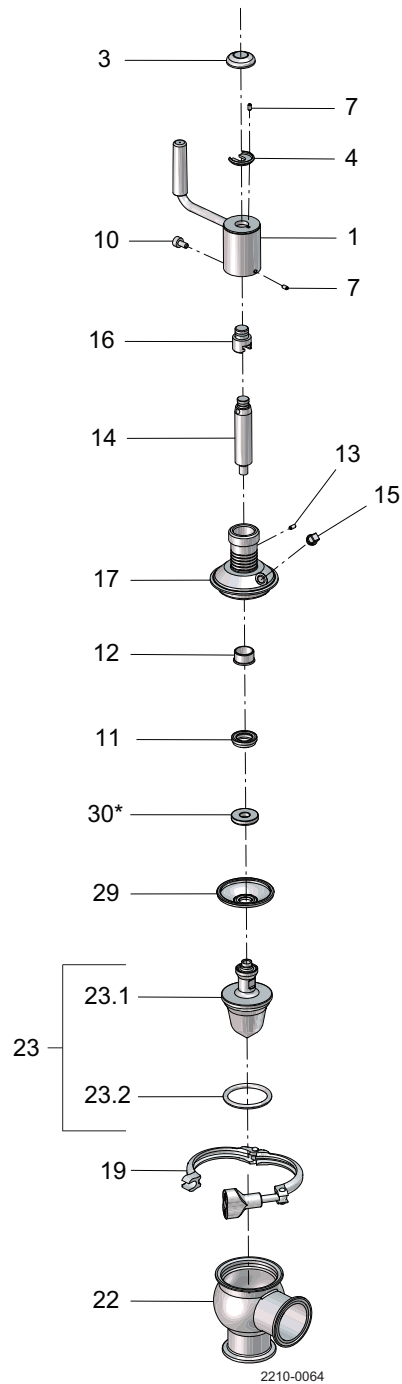
CSI

CONTACT CSI FOR MORE INFORMATION | CSIDESIGNS.COM | SALES@CSIDESIGNS.COM | 417.831.1411

7 Parts list and service kits

*It is important to observe the technical data during installation, operation and maintenance.
Inform all personnel about the technical data.*

7.2 Aseptic regulating



7 Parts list and service kits

*It is important to observe the technical data during installation, operation and maintenance.
Inform all personnel about the technical data.*

Parts list

Pos.	Qty	Denomination
		Crank mechanism complete
1	1	Crank
3	1	Cap
4	1	Washer
7	2	Set screw
10	1	Lock screw
11	1	Lip seal
12	1	Bushing
13	1	Spring pin
14	1	Upper spindle
15	1	Plug
16	1	Stem extension
17	1	Sealing element
19	1	Clamp
22	1	Valve body
23	1	Plug
23.1	1	Plug
23.2	1	Plug seal
29 ♦	1	Diaphragm
30	1	Disc for diaphragm

Service kits

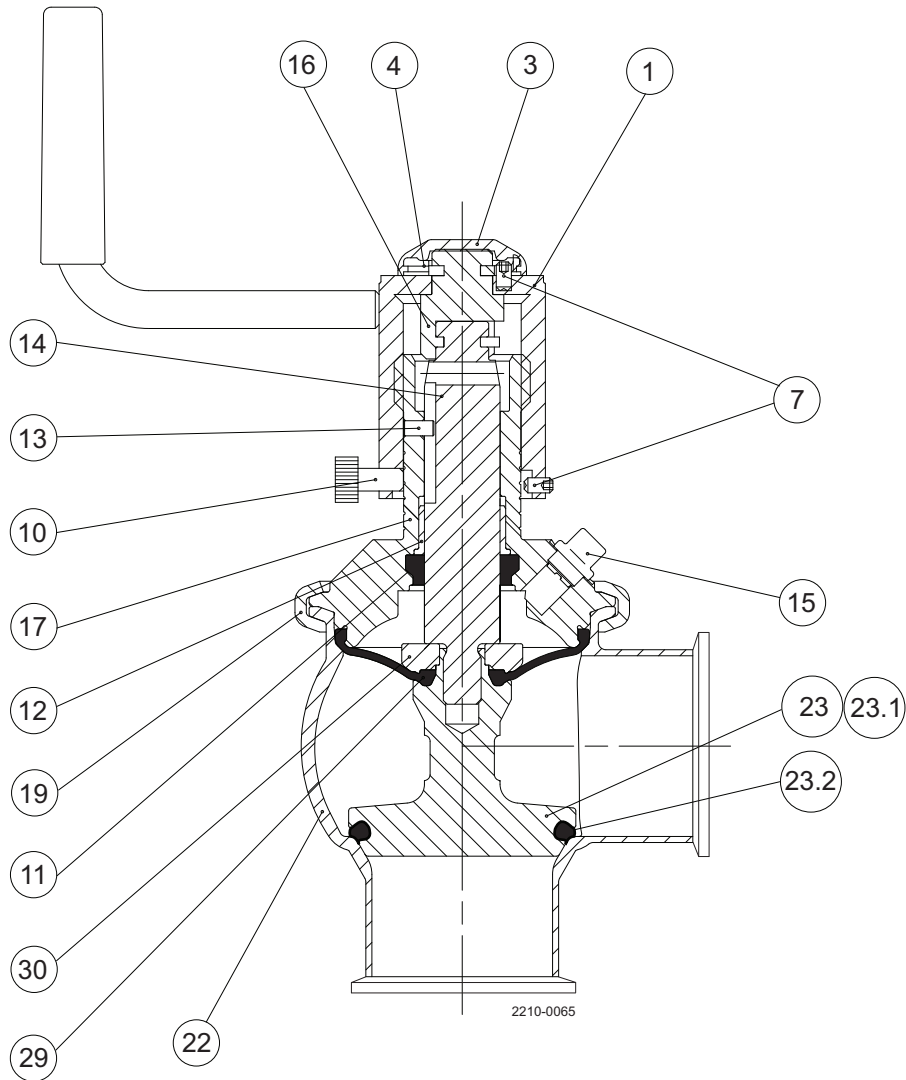
Denomination	1½"	2"	2½"	3"	4"
Service kit, EPDM	9611-92-6544	9611-92-6545	9611-92-6546	9611-92-6547	9611-92-6548
Service kit, HNBR	9611-92-6550	9611-92-6551	9611-92-6552	9611-92-6553	9611-92-6554
Service kit, FPM	9611-92-6556	9611-92-6557	9611-92-6558	9611-92-6559	9611-92-6560



7 Parts list and service kits

*It is important to observe the technical data during installation, operation and maintenance.
Inform all personnel about the technical data.*

7.3 Aseptic manually operated - shut-off - sectional drawing





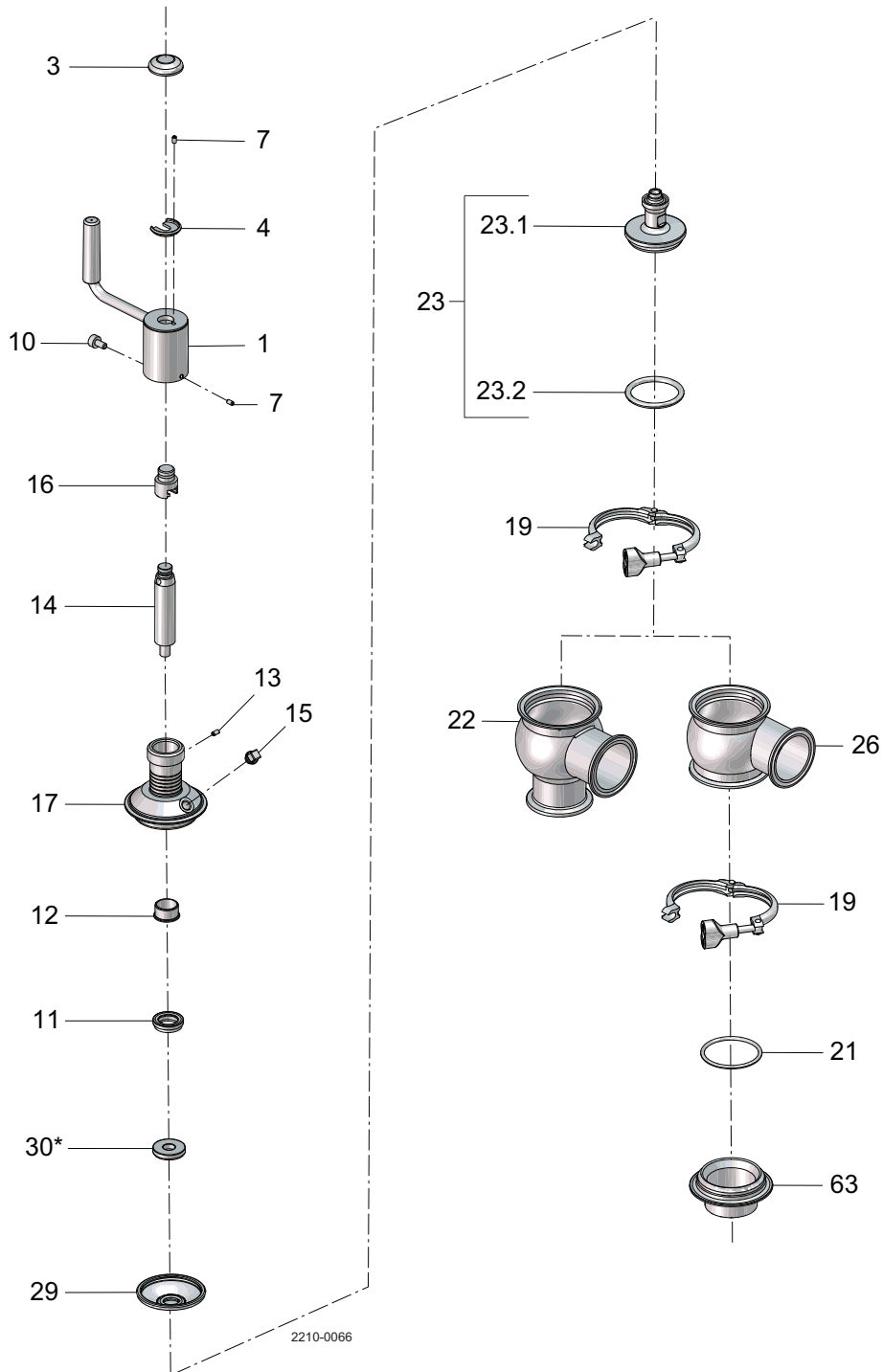
CSI

CONTACT CSI FOR MORE INFORMATION | CSIDESIGNS.COM | SALES@CSIDESIGNS.COM | 417.831.1411

7 Parts list and service kits

*It is important to observe the technical data during installation, operation and maintenance.
Inform all personnel about the technical data.*

7.4 Aseptic manually operated - shut-off



7 Parts list and service kits

*It is important to observe the technical data during installation, operation and maintenance.
Inform all personnel about the technical data.*

Parts list

Pos.	Qty	Denomination
		Crank mechanism complete
1	1	Crank
3	1	Cap
4	1	Washer
7	2	Set screw
10	1	Lock screw
11	1	Lip seal
12	1	Bushing
13	1	Spring pin
14	1	Upper spindle
15	1	Plug
16	1	Stem extension
17	1	Sealing element
19	1	Clamp
21 ♦	1	O-ring
22	1	Valve body
23	1	Plug
23.1	1	Plug
23.2 ♦	1	Plug seal
26	1	Valve body
29 ♦	1	Diaphragm
30	1	Disc for diaphragm
63	1	Port seal element

Service kits

Denomination	1"	1½"	2"	2½"	3"	4"
Standard						
♦ Service kit, EPDM	9611-92-6543	9611-92-6544	9611-92-6545	9611-92-6546	9611-92-6547	9611-92-6548
♦ Service kit, HNBR	9611-92-6549	9611-92-6550	9611-92-6551	9611-92-6552	9611-92-6553	9611-92-6554
♦ Service kit, FPM	9611-92-6555	9611-92-6556	9611-92-6557	9611-92-6558	9611-92-6559	9611-92-6560
Tangential only						
♦ Service kit, EPDM	9611-92-6909	9611-92-6910	9611-92-6911	9611-92-6912	9611-92-6913	9611-92-6914
♦ Service kit, HNBR	9611-92-6915	9611-92-6916	9611-92-6917	9611-92-6918	9611-92-6919	9611-92-6920
♦ Service kit, FPM	9611-92-6921	9611-92-6922	9611-92-6923	9611-92-6924	9611-92-6925	9611-92-6926

Parts marked with ♦ are included in the service kits (product wetted parts)

Tool for bushing (pos. 12) 9613-1609-01

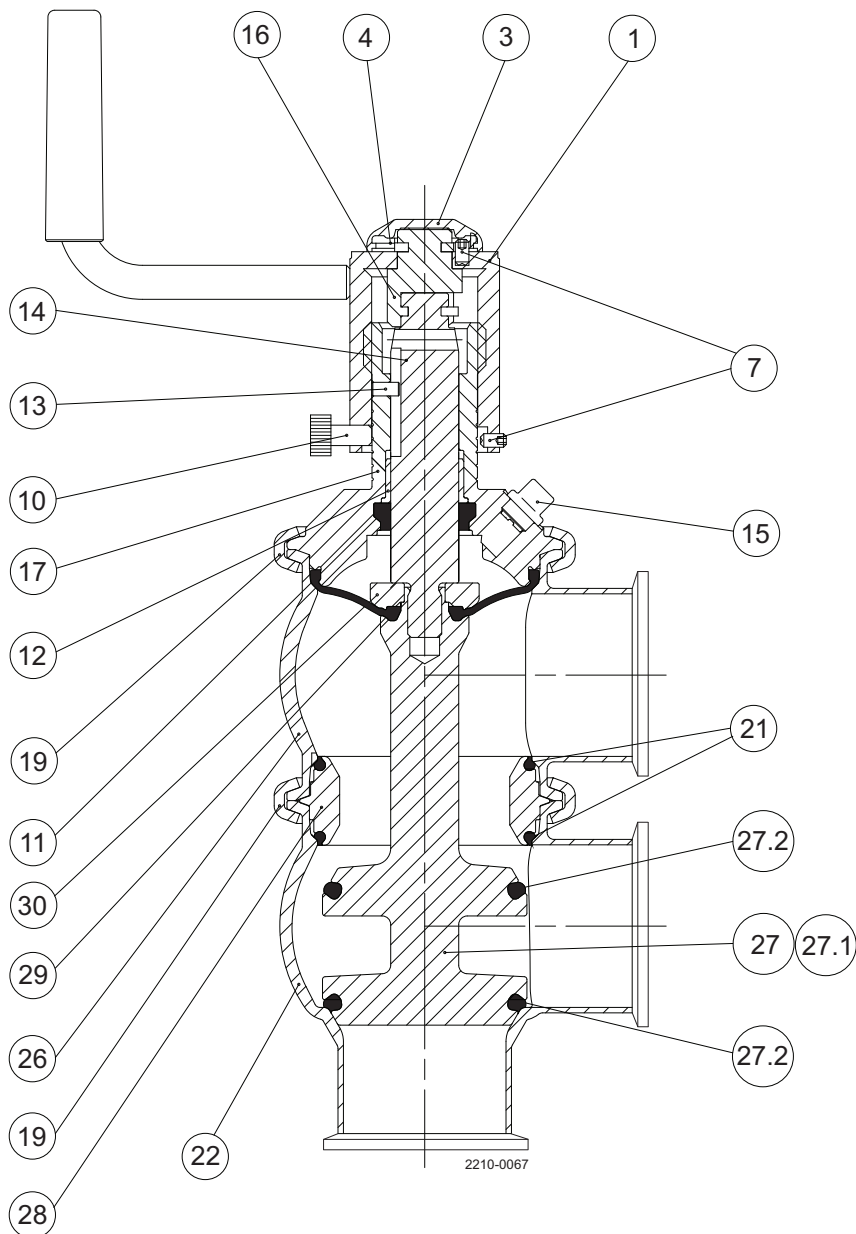
TD900-657



7 Parts list and service kits

*It is important to observe the technical data during installation, operation and maintenance.
Inform all personnel about the technical data.*

7.5 Aseptic manually operated - change-over - sectional drawing





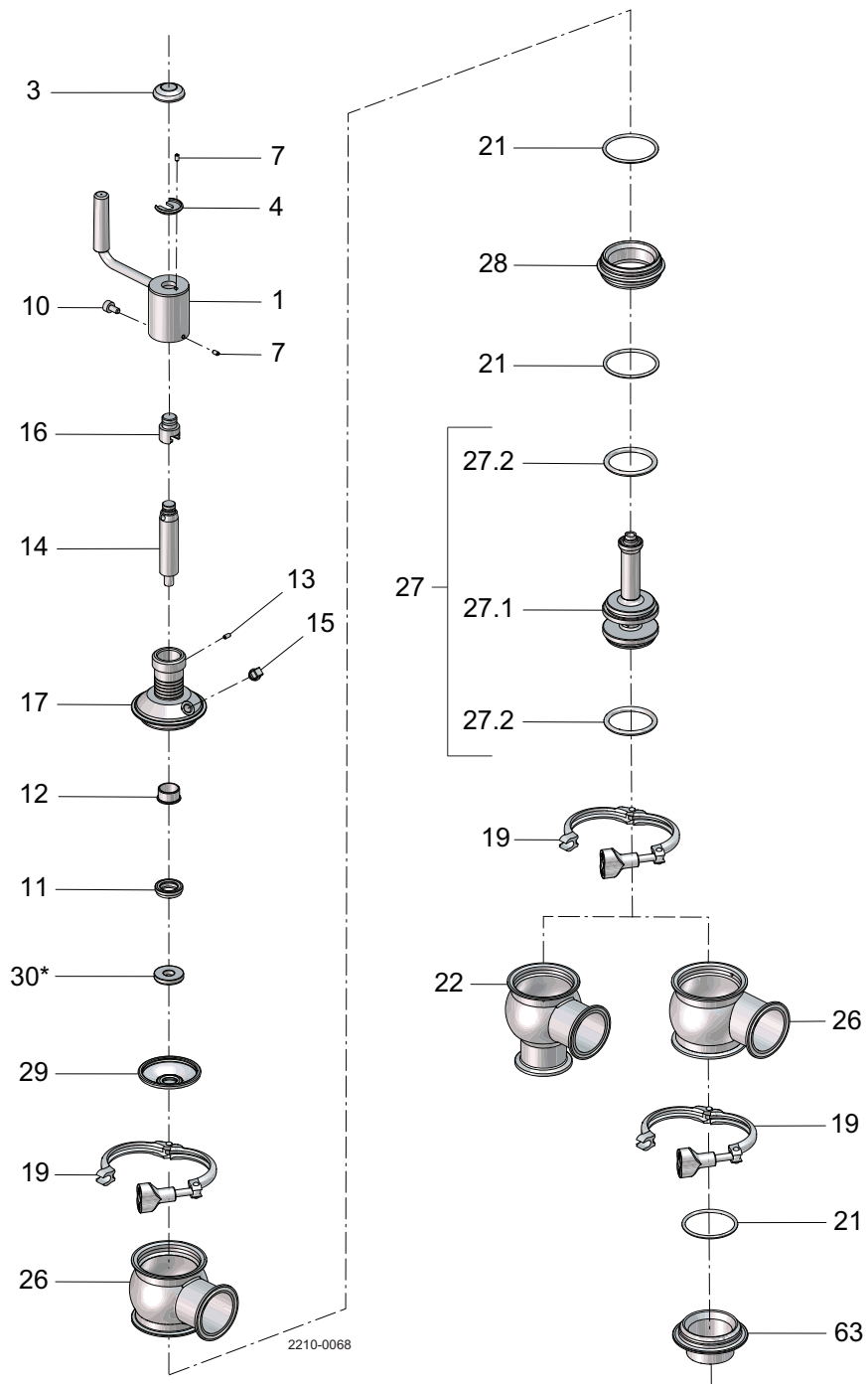
CSI

CONTACT CSI FOR MORE INFORMATION | CSIDESIGNS.COM | SALES@CSIDESIGNS.COM | 417.831.1411

7 Parts list and service kits

*It is important to observe the technical data during installation, operation and maintenance.
Inform all personnel about the technical data.*

7.6 Aseptic manually operated - change-over



7 Parts list and service kits

*It is important to observe the technical data during installation, operation and maintenance.
Inform all personnel about the technical data.*

Parts list

Pos.	Qty	Denomination
		Crank mechanism complete
1	1	Crank
3	1	Cap
4	1	Washer
7	2	Set screw
10	1	Lock screw
11	1	Lip seal
12	1	Bushing
13	1	Spring pin
14	1	Upper spindle
15	1	Plug
16	1	Stem extension
17	1	Sealing element
19	2	Clamp
21 ♦	2	O-ring
22	1	Valve body
26	1	Valve body
27	1	Plug
27.1	1	Plug
27.2 ♦	2	Plug seal
28	1	Seat
29 ♦	1	Diaphragm
30	1	Disc for diaphragm
63	1	Port seal element

Service kits

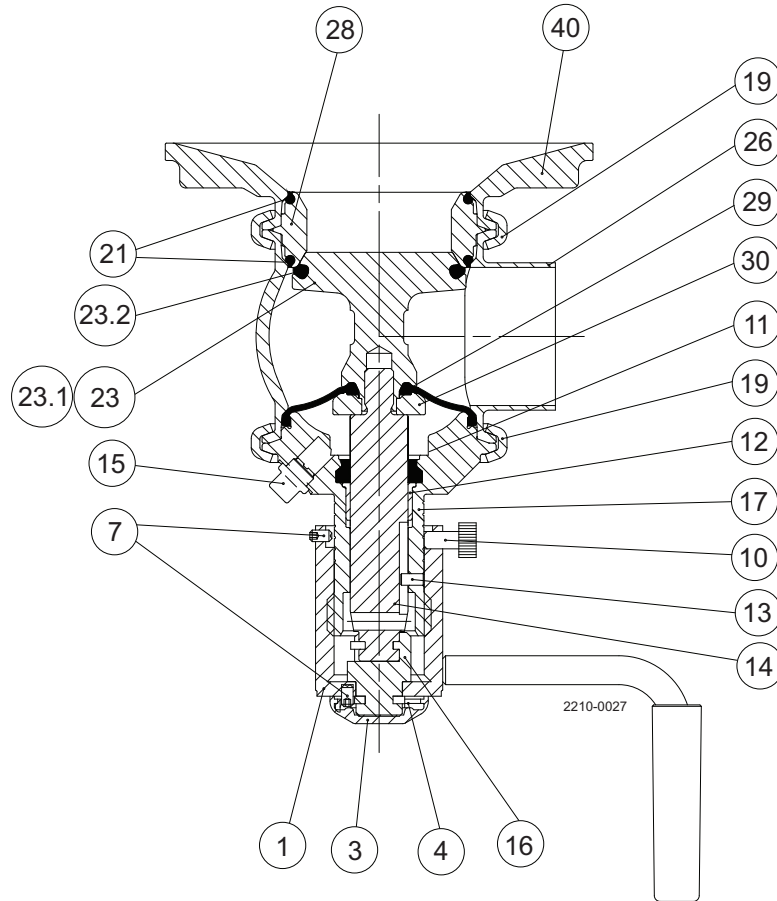
Denomination	1"	1½"	2"	2½"	3"	4"
Standard						
♦ Service kit, EPDM	9611-92-6615	9611-92-6616	9611-92-6617	9611-92-6618	9611-92-6619	9611-92-6620
♦ Service kit, HNBR	9611-92-6621	9611-92-6622	9611-92-6623	9611-92-6624	9611-92-6625	9611-92-6626
♦ Service kit, FPM	9611-92-6627	9611-92-6628	9611-92-6629	9611-92-6630	9611-92-6631	9611-92-6632
Tangential only						
♦ Service kit, EPDM	9611-92-6927	9611-92-6928	9611-92-6929	9611-92-6930	9611-92-6931	9611-92-6932
♦ Service kit, HNBR	9611-92-6933	9611-92-6934	9611-92-6935	9611-92-6936	9611-92-6937	9611-92-6938
♦ Service kit, FPM	9611-92-6939	9611-92-6940	9611-92-6941	9611-92-6942	9611-92-6943	9611-92-6944



7 Parts list and service kits

*It is important to observe the technical data during installation, operation and maintenance.
Inform all personnel about the technical data.*

7.7 Aseptic manual tank outlet - sectional drawing





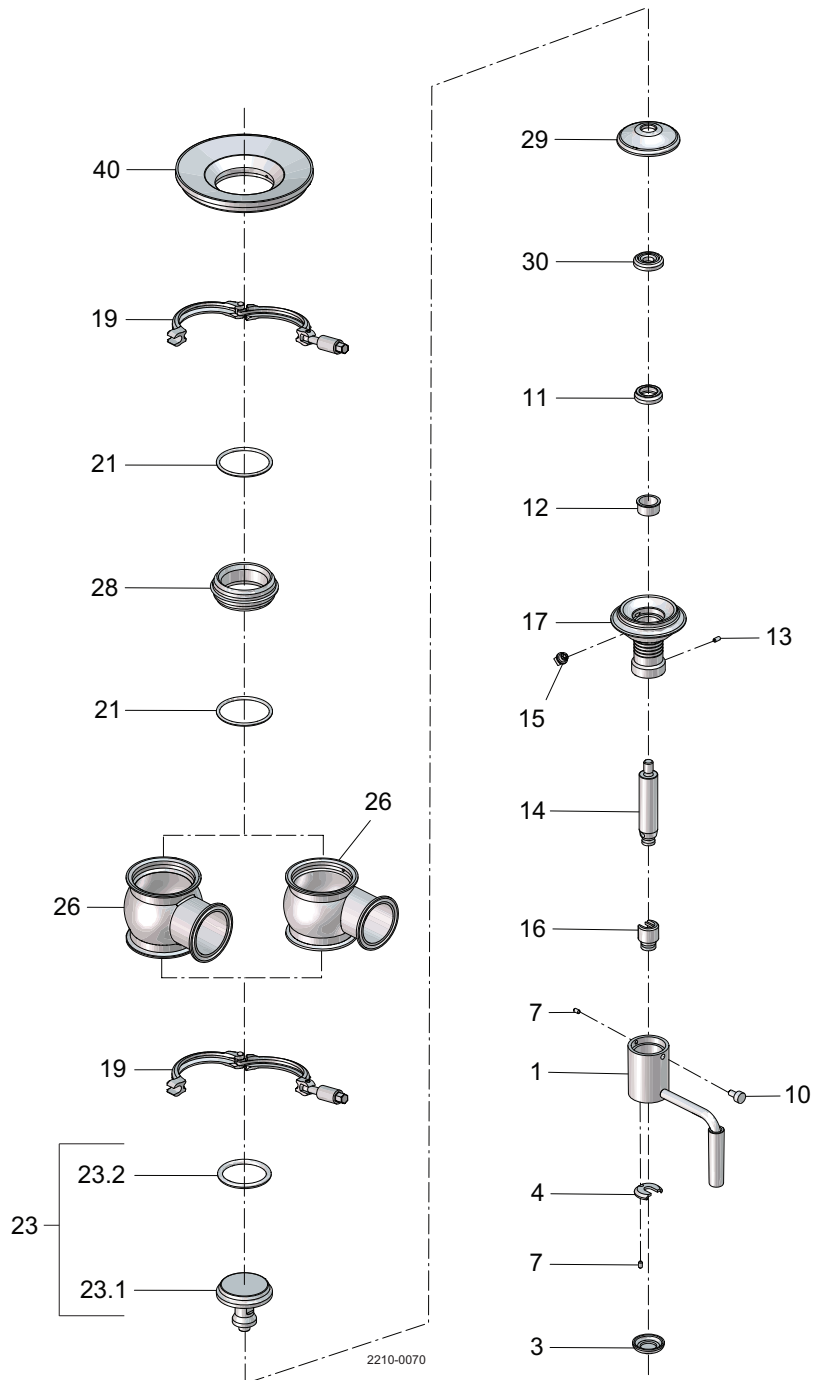
CSI

CONTACT CSI FOR MORE INFORMATION | CSIDESIGNS.COM | SALES@CSIDESIGNS.COM | 417.831.1411

7 Parts list and service kits

*It is important to observe the technical data during installation, operation and maintenance.
Inform all personnel about the technical data.*

7.8 Aseptic manual tank outlet



7 Parts list and service kits

*It is important to observe the technical data during installation, operation and maintenance.
Inform all personnel about the technical data.*

Parts list

Pos.	Qty	Denomination
		Crank mechanism complete
1	1	Crank
3	1	Cap
4	1	Washer
7	2	Set screw
10	1	Lock screw
11	1	Lip seal
12	1	Bushing
13	1	Spring pin
14	1	Upper spindle
15	1	Plug
16	1	Stem extension
17	1	Sealing element
19	1	Clamp
21 ♦	2	O-ring
23	1	Plug
23.1	1	Plug
23.2 ♦	1	Plug seal
26	1	Valve body
28	1	Seat
29 ♦	1	Diaphragm
30	1	Disc for diaphragm
40	1	Tank flange

Service kits

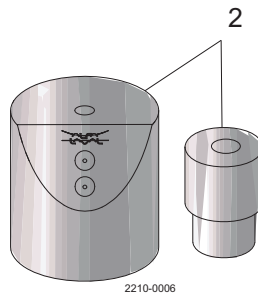
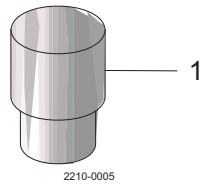
Denomination	2"	2½"	3"	4"
♦ Service kit, EPDM	9611-92-6945	9611-92-6946	9611-92-6947	9611-92-6948
♦ Service kit, HNBR	9611-92-6949	9611-92-6950	9611-92-6951	9611-92-6952
♦ Service kit, FPM	9611-92-6953	9611-92-6954	9611-92-6955	9611-92-6956



7 Parts list and service kits

*It is important to observe the technical data during installation, operation and maintenance.
Inform all personnel about the technical data.*

7.9 Accessories tool



7 Parts list and service kits

*It is important to observe the technical data during installation, operation and maintenance.
Inform all personnel about the technical data.*

Parts list

Pos.	Qty	Denomination
1	1	Tool for bushing (pos. 24)
2	1	Mounting tool for elastomer plug seals



CSI

CONTACT CSI FOR MORE INFORMATION | CSIDESIGNS.COM | SALES@CSIDESIGNS.COM | 417.831.1411

How to contact Alfa Laval

Contact details for all countries are continually updated on our website.

Please visit www.alfalaval.com to access the information directly.

© Alfa Laval Corporate AB

This document and its contents is owned by Alfa Laval Corporate AB and protected by laws governing intellectual property and thereto related rights. It is the responsibility of the user of this document to comply with all applicable intellectual property laws. Without limiting any rights related to this document, no part of this document may be copied, reproduced or transmitted in any form or by any means (electronic, mechanical, photocopying, recording, or otherwise), or for any purpose, without the expressed permission of Alfa Laval Corporate AB. Alfa Laval Corporate AB will enforce its rights related to this document to the fullest extent of the law, including the seeking of criminal prosecution.



CSI

CONTACT CSI FOR MORE INFORMATION | CSIDESIGNS.COM | SALES@CSIDESIGNS.COM | 417.831.1411