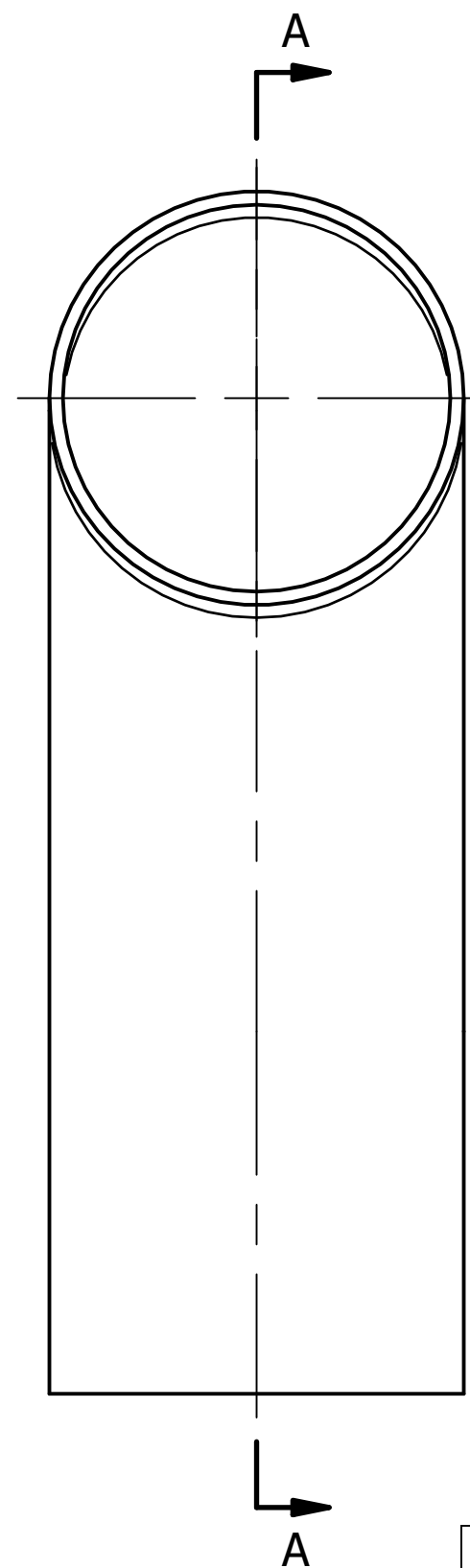
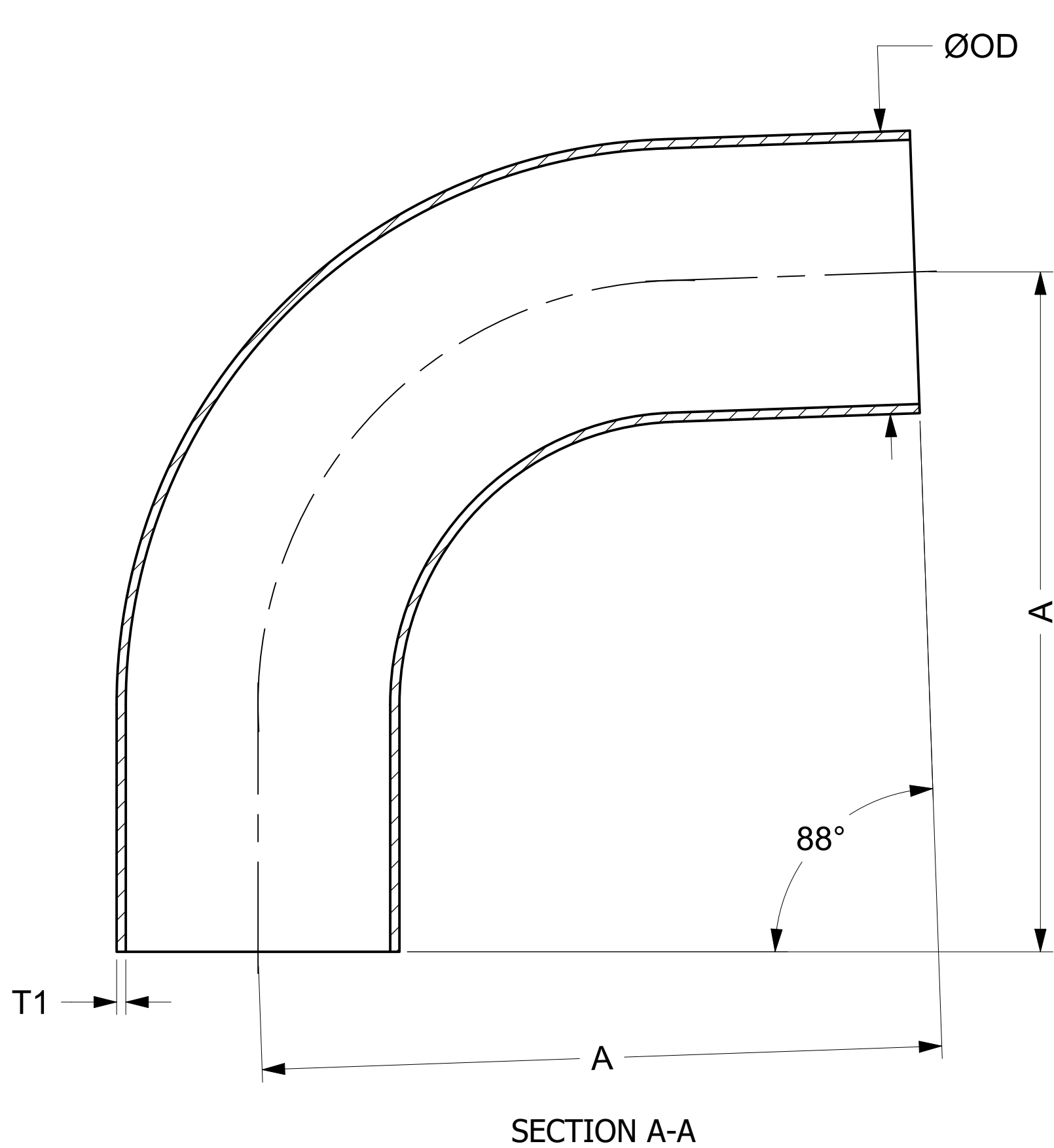


COMMON FINISHES		
DESIGNATION	PROCESS CONTACT	NON-PROCESS CONTACT
-1	MILL	MILL
-7	32 RA	32 RA
-PL	20 RA	32 RA
-PO	20 RA EP	32 RA
-PM	15 RA EP	32 RA



NOMINAL SIZE		A		OD		T1	
IN	MM	IN	MM	IN	MM	IN	MM
0.25	6.35	2.700	68.58	0.250	6.35	0.035	0.89
0.375	9.53	2.700	68.58	0.375	9.53	0.035	0.89
0.5	12.70	3.065	77.85	0.500	12.70	0.065	1.65
0.75	19.05	3.065	77.85	0.750	19.05	0.065	1.65
1	25.40	3.050	77.47	1.000	25.40	0.065	1.65
1.5	38.10	3.800	96.52	1.500	38.10	0.065	1.65
2	50.80	4.810	122.17	2.000	50.80	0.065	1.65
2.5	63.50	5.560	141.22	2.500	63.50	0.065	1.65
3	76.20	6.310	160.27	3.000	76.20	0.065	1.65
4	101.60	8.065	204.85	4.000	101.60	0.083	2.11
6	152.40	11.580	294.13	6.000	152.40	0.109	2.77

* INFORMATION PROVIDED IN THIS DRAWING IS FOR REFERENCE ONLY. FINISH AVAILABILITY DEPENDANT ON MATERIAL



PART NO.: **B2S88**

DESCRIPTION: **88 DEG ELBOW, BW**

MATERIAL OPTIONS:
 316/316L SS
 AL-6XN® - N08367
 HASTELLOY® C-22® - N06022

DWG NO.: **CDB2S88**
 CREATION DATE: 30JUL2025
 SHEET: 1 OF 1

REV.: **-**