

CSE CHICAGO STAINLESS EQUIPMENT, INC.

SANI-FLOW

SANITARY PRESSURE GAUGES



QUALITY PRODUCTS SINCE 1937

www.ChicagoStainless.com



CSE SANITARY PRESSURE GAUGES

Since 1937, Chicago Stainless Equipment has been manufacturing Sanitary Equipment for the food industry. After 20 years of experience, our engineers designed an outstanding Pressure Gauge specifically for food processing applications. Now, with over 70 years of experience, this design has grown and evolved into one of the best designs on the market. Our Sanitary Pressure Gauge has a Stainless Steel Diaphragm that maintains a sanitary, crevice free, easily cleansed surface. Our Sani-Flow line complies fully with the 3-A Sanitary Standards. All of our pressure gauges are built to withstand the harshest environments and function for many years with little to no maintenance. Our dedication to quality is not only evident in our products, but also in our customer service. CSE commits to offering the highest level of product and resources to every customer. We provide efficient, quick, and friendly service along with striving to build relationships with all of our partners.

FEATURES

316L Stainless Steel Sanitary Fittings and Diaphragms

Assures maximum corrosion resistance while providing the most sanitary construction possible

304L Stainless Steel Case

For durability even in the harshest environments

Polycarbonate Lens

Ensures durability

Waterproof Construction

Allows gauge to be submersed for cleaning

Clean-in-place (CIP)

Can be cleaned in place for convenience and to eliminate the possibility of damage from mishandling

Pressure Ranges

Available from 30 psi up to 1,000 psi. Also available in vacuum ranges.

Dial Face Sizes

Available in 3½", or 5"

Recessed Diaphragm

Helps to protect sensitive diaphragm from physical abuse

True Zero with Re-Zero Feature

Standard on all Sanitary Gauges

Unique Pulsation Dampening System

To insulate the gauge movement from punishing pulsations which shorten the life of an ordinary pressure gauge

Glycerin Fill

Standard to protect the gear mechanism against wear and vibration

350°F Maximum Process Temperature (176°C)

With high temperature option



SANITARY PRESSURE GAUGES

SPECIFICATIONS

TOLERANCES :

Compliance	3-A, Nema 4X, IP67
Accuracy	+/- 1.5% of Full Scale
Over Range Capability	30% Over Range
Repeatability	+/- 0.5% of Full Scale
Linearity	+/- 0.5% of Full Scale
Hysteresis	+/- 0.5% of Full Scale
Process Temperature Range	10° to 250°F (-12° to 121°C)
Ambient Operating Limits	25° to 160°F (-4° to 71°C)
Ambient Storage Limits	0° to 250°F (-18° to 121°C)

* High Temperature Option increases maximum process temperature to 350°F (176°C)



CONSTRUCTION :

Product Contact Material	316L Stainless Steel
Product Contact Finish	R _a max = 25µin (0.64µm)
Case and Lens Ring Material	304L Stainless Steel
Lens Material	1/4" Polycarbonate
Dial Face	Aluminum Printed with UV Inks (No Stickers)
Bourdon Tube	Phosphor Bronze
Re-Zero Adjustment	Standard on all Sanitary Gauges - 100% of Span
Standard Case Fill	99.5% USP Food Grade Glycerin
Standard System Fill	99.5% USP Food Grade Glycerin
Approximate Shipping Weight (3½" Dial)	3 Pounds (1.4 Kg)
Approximate Shipping Weight (5" Dial)	5 Pounds (2.3 Kg)



SANITARY PRESSURE GAUGES

OPTIONS

AVAILABLE RANGES (PSI)

0 to 30 30"Hg to 30
 0 to 60 30"Hg to 60
 0 to 100 30"Hg to 100
 0 to 160 30"Hg to 150
 0 to 200 30"Hg to 200
 0 to 300 30"Hg to 300
 0 to 400
 0 to 600
 0 to 1,000

* Available in Single or Dual Scale

OTHER AVAILABLE RANGES

BAR
 kg/cm²
 Kilopascal
 Megapascal
 Tons/Ft²
 Atmospheres

DIAL FACE SIZES

3½" (90mm)
 5" (120mm)

MOUNT STYLES

Bottom Mount
 Center Back Mount
 Left Side Mount
 Right Side Mount
 Top Mount

AVAILABLE FITTINGS

Tri-Clamp
 G&H Female H-Line
 G&H Male H-Line
 Cherry-Burrell Male I-Line
 Cherry-Burrell Female I-Line
 APC K-Clamp
 Cherry-Burrell Q-Clamp
 #15 Bevel Seat Male (Threaded)
 #14 Bevel Seat Female (with #13H Nut)
 #15 APV Gasket Seat Male (Threaded)
 #14 APV Gasket Seat Female (with #13H Nut)
 #15 WXPV Male (Threaded)
 #14 WXPV Female (with #13H Nut)
 DIN Male (Threaded)(per DIN 11851)
 DIN Female (with Nut)(per DIN 11851)
 SMS Male (Threaded)
 SMS Female (with Nut)
 IDF-ISS Male (Threaded)
 IDF-ISS Female (with Nut)
 Westfalia

CASE FILL OPTIONS

Glycerin Fill * *Standard* *
 No Fill
 Mineral Oil Fill
 Silicone Fill
 Propylene Fill

DIAPHRAGM OPTIONS

Teflon
 Stainless Steel * *Standard* *

ADDITIONAL OPTIONS

Glass Lens
 Drag Pointer
 High Temperature Option
 Custom Color Ranged Dial Face
 Extra Dampening
 Stainless Steel Tag

Paper Tag
 Mineral Oil System Fill
 Silicone System Fill
 Propylene Glycol System Fill
 High Visibility Dial Face - Yellow
 High Visibility Dial Face - Green

General Calibration Certificate
 Detailed Calibration Certificate
 Material Test Report
 Certificate of Conformity
 Animal Derived Ingredient Free Certificate



SANITARY PRESSURE GAUGES

VISIT OUR WEBSITE



www.ChicagoStainless.com

Configurators ▼

Our website has an extremely user friendly configurator where you can build a product step by step exactly how your application may need.

Products

View our full product line.

Find a Distributor

Use our CSE Distributor Locator for help locating a distributor in your area.

CONTACT US

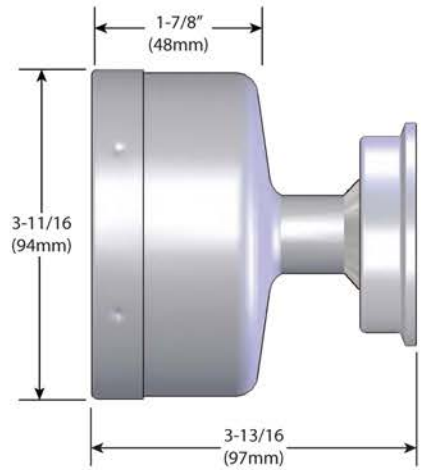
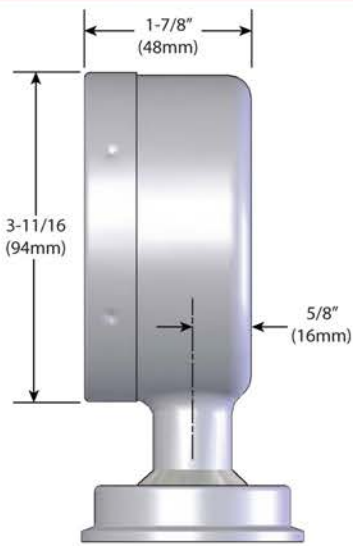
Office Hours: Monday - Friday 8:00am to 5:00pm (EST)

Office Phone: 772-781-1441

Email: Sales@ChicagoStainless.com



CHICAGO STAINLESS EQUIPMENT, INC.
QUALITY PRODUCTS SINCE 1937



3-1/2" BOTTOM MOUNT
(Shown with 2" Tri-Clamp)

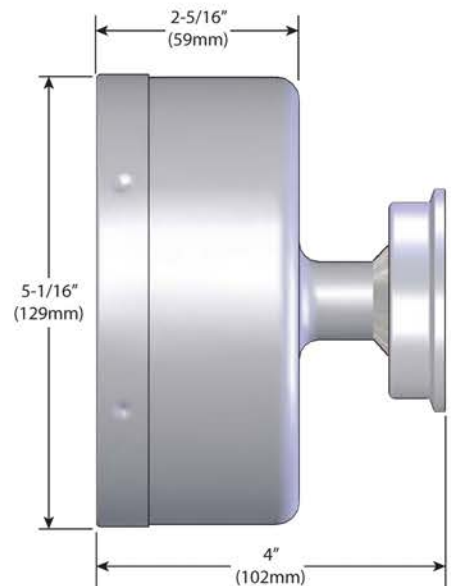
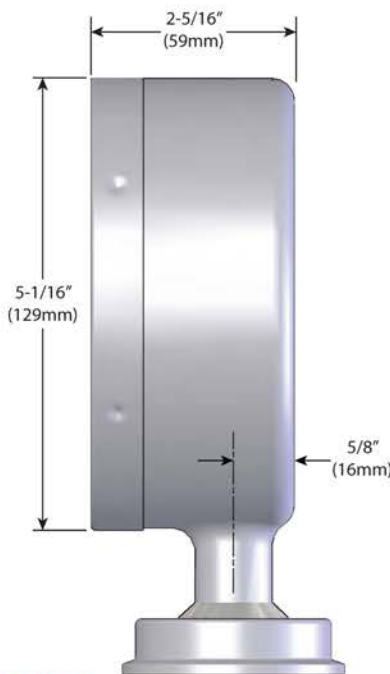
3-1/2" BACK MOUNT
(Shown with 2" Tri-Clamp)



3-1/2" LEFT SIDE MOUNT
(Shown with 1-1/2" Male I-Line)

3-1/2" TOP MOUNT
(Shown with 2" Male I-Line)

3-1/2" RIGHT SIDE MOUNT
(Shown with 1-1/2" Tri-Clamp)



5" BOTTOM MOUNT
(Shown with 2" Tri-Clamp)

5" BACK MOUNT
(Shown with 2" Tri-Clamp)